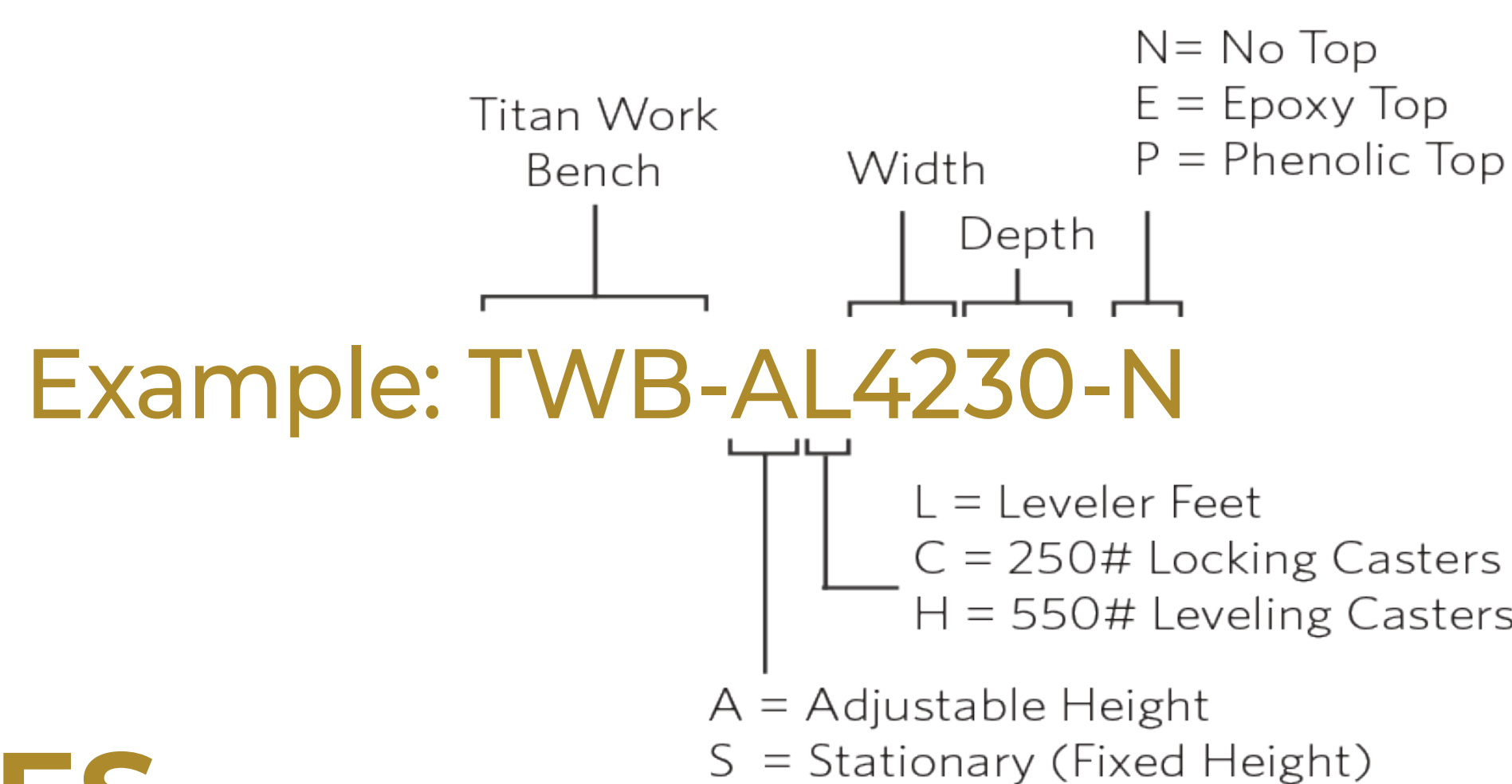


Titan Work Bench - No Services

Titan Work Bench (TWB) gives the maximum flexibility for configuring your lab. Wall and island configurations can be readily created and easily changed as well as moved for new applications or changing space. Can be used in conjunction with suspended and mobile. Standard tables are 36" high and allow depths of 30" & 36" deep. Adjustable height units range from 30-36" high. They can be fixed or adjustable in height. In this model you can have leveling feet or casters installed. The table will support up to 1,000lbs. Order WB shelving separately. Shelf brackets are adjustable in 1" increments to allow for multiple configurations. Standard shelves are 12" or 16" deep.



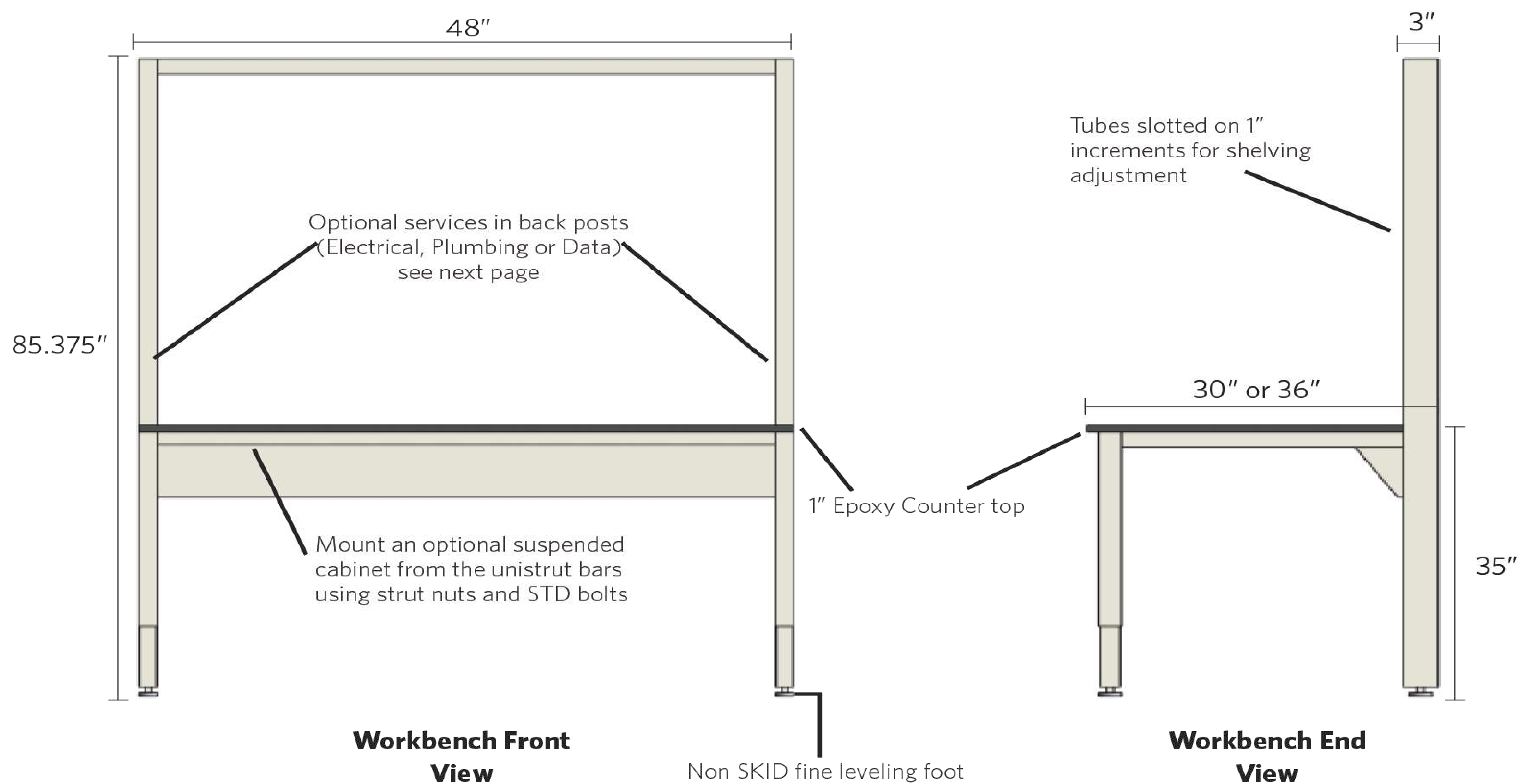
TITAN WORK BENCH - NO SERVICES



Width	Item Number
30"	TWB-AL3030-E
36"	TWB-AL3630-E
42"	TWB-AL4230-E
48"	TWB-AL4830-E
54"	TWB-AL5430-E
60"	TWB-AL6030-E
66"	TWB-AL6630-E
72"	TWB-AL7230-E

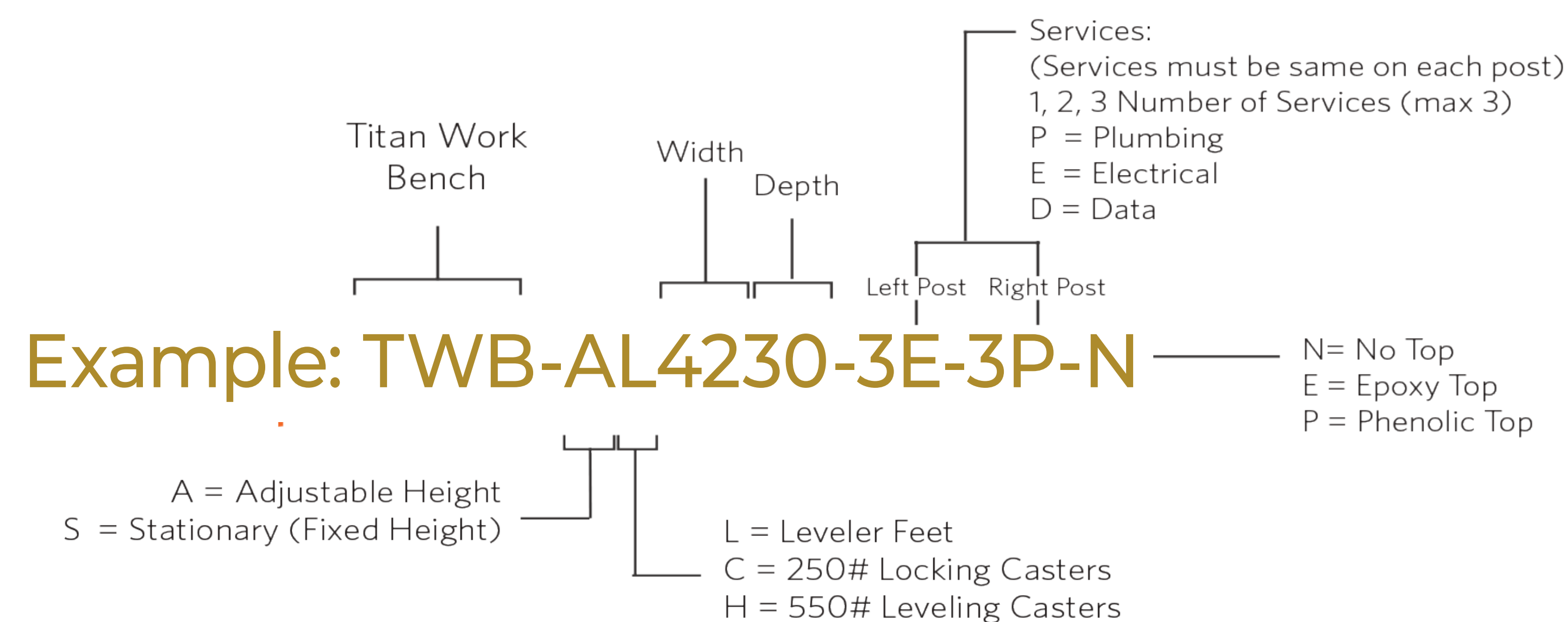


Width	Item Number
30"	TWBSHELF-3030
36"	TWBSHELF-3630
42"	TWBSHELF-4230
48"	TWBSHELF-4830
54"	TWBSHELF-5430
60"	TWBSHELF-6030
66"	TWBSHELF-6630
72"	TWBSHELF-7230



Titan Work Bench - With Services

Titan Work Bench (TWB) gives the maximum flexibility for configuring your lab. Wall and island configurations can be readily created and easily changed as well as moved for new applications or changing space. Can be used in conjunction with suspended and mobile. Standard tables are 36" high and 30" deep. Adjustable height units range from 30–36" high. They can be fixed or adjustable in height. In this model you can have leveling feet or casters installed. The table will support up to 1,000lbs. Order WB shelving separately. Shelf brackets are adjustable in 1" increments to allow for multiple configurations. Standard shelves are 12" or 16" deep.



TITAN WORK BENCH - WITH SERVICES



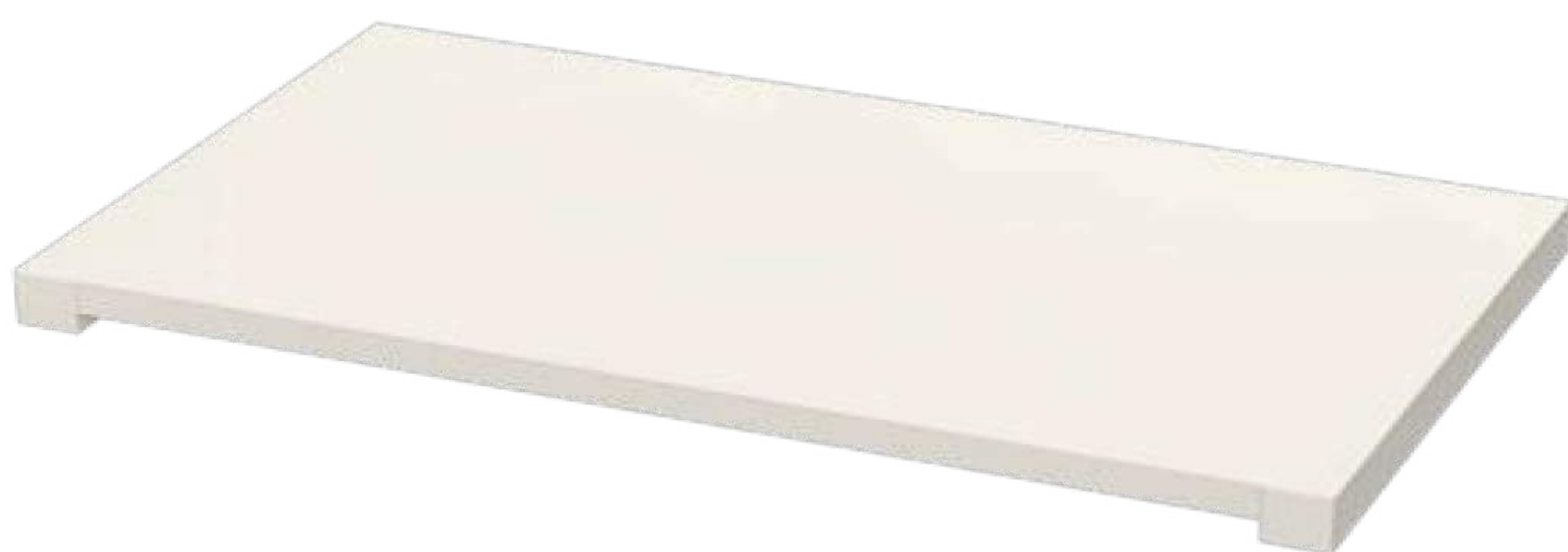
Width	Item Number
30"	TWB-AL3030-3E-3P-E
36"	TWB-AL3630-3E-3P-E
42"	TWB-AL4230-3E-3P-E
48"	TWB-AL4830-3E-3P-E
54"	TWB-AL5430-3E-3P-E
60"	TWB-AL6030-3E-3P-E
66"	TWB-AL6630-3E-3P-E
72"	TWB-AL7230-3E-3P-E

We can provide one service per post:

Plumbing: up to 3 lines

Electric: up to 3 GFI's

Data: 2 or 4 data ports

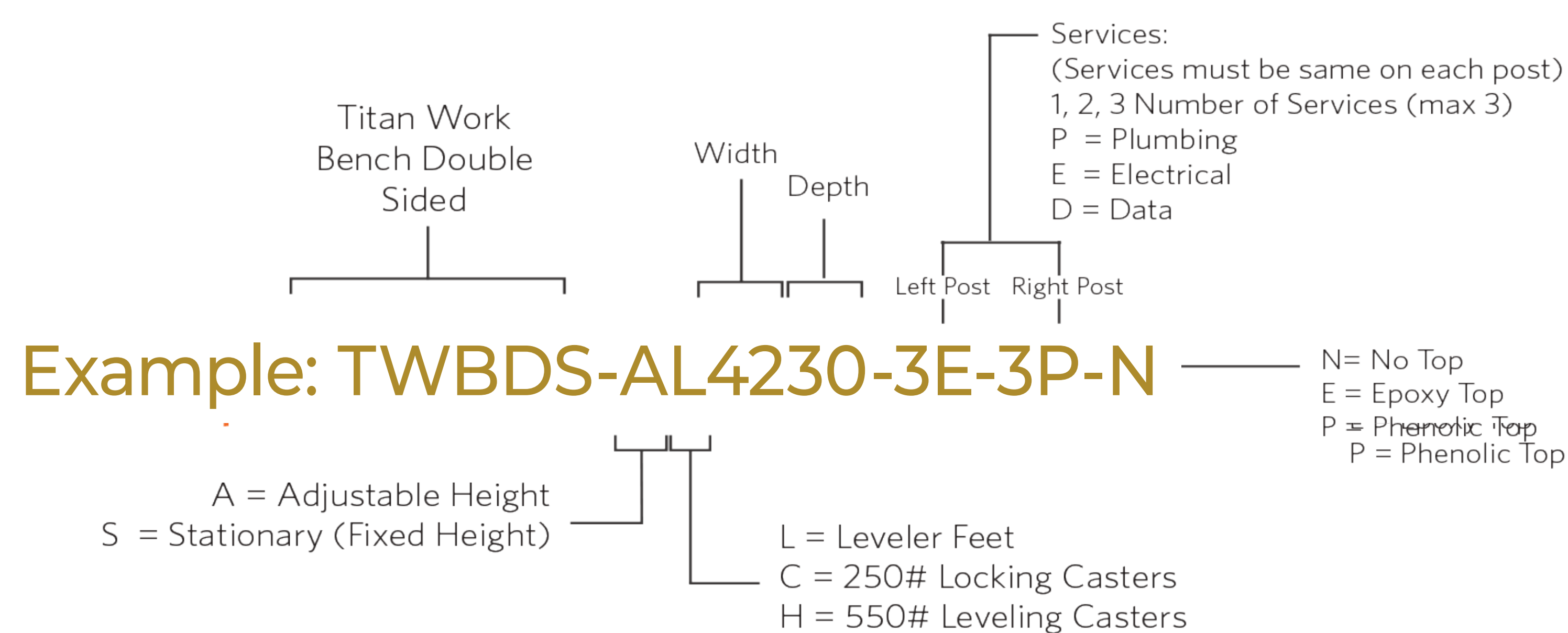
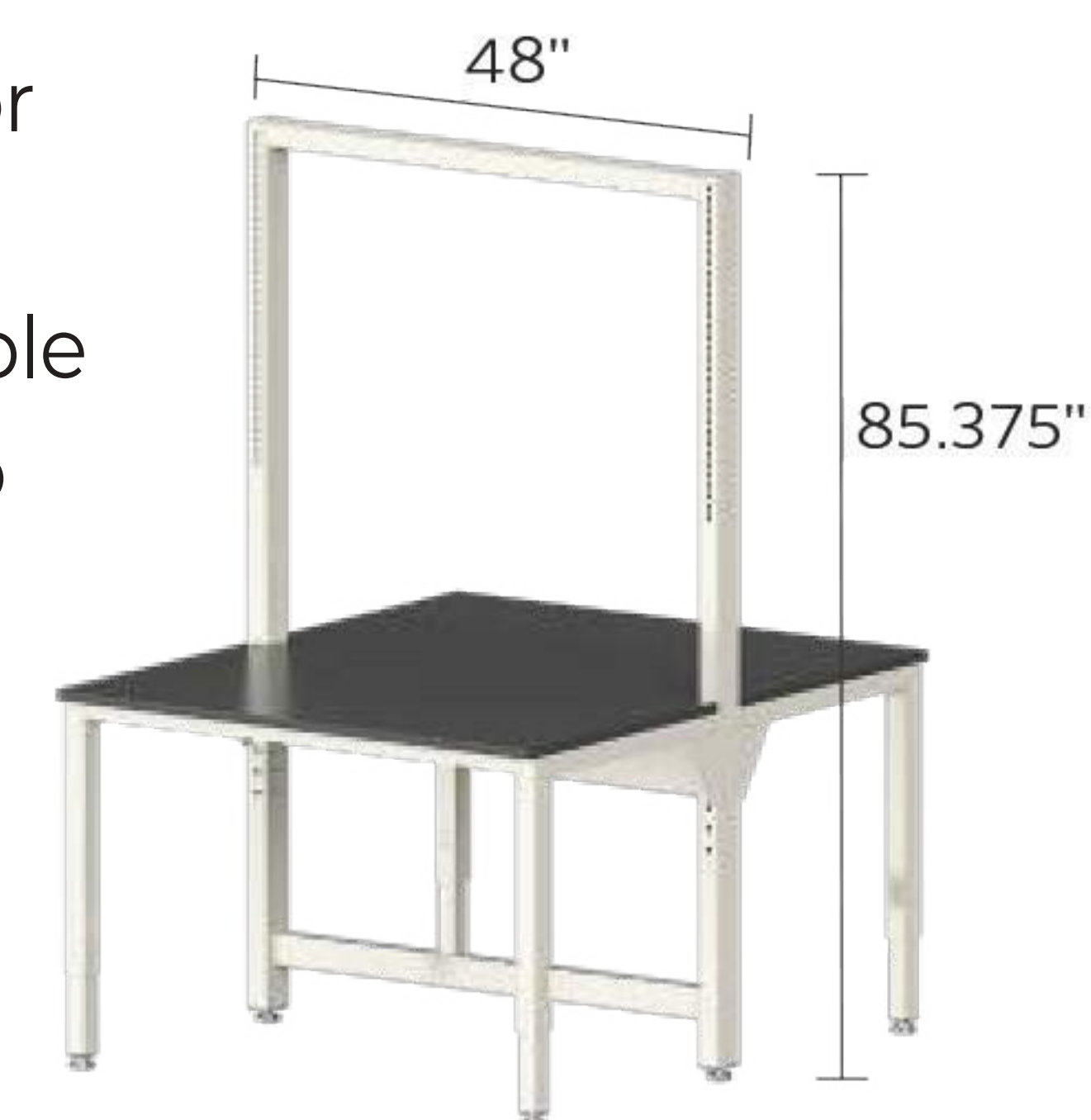


Width	Item Number
30"	TWBSHELF-3030
36"	TWBSHELF-3630
42"	TWBSHELF-4230
48"	TWBSHELF-4830
54"	TWBSHELF-5430
60"	TWBSHELF-6030
66"	TWBSHELF-6630
72"	TWBSHELF-7230

TWB Bottom Shelf only available if stationary

Titan Work Bench - Double-Sided

Titan Work Bench (TWB) gives the maximum flexibility for configuring your lab. Wall and island configurations can be readily created and easily changed as well as moved for new applications or changing space. Can be used in conjunction with suspended and mobile. Standard tables are 36" high and 30" deep. Adjustable height units range from 30–36" high. They can be fixed or adjustable in height. In this model you can have leveling feet or casters installed. The table will support up to 1,000lbs. Order WB shelving separately. Shelf brackets are adjustable in 1" increments to allow for multiple configurations. Standard shelves are 12" or 16" deep.



TITAN WORK BENCH (DOUBLE-SIDED)



Width	Item Number
30"	TWBDS-AL3030-3E-3P-E
36"	TWBDS-AL3630-3E-3P-E
42"	TWBDS-AL4230-3E-3P-E
48"	TWBDS-AL4830-3E-3P-E
54"	TWBDS-AL5430-3E-3P-E
60"	TWBDS-AL6030-3E-3P-E
66"	TWBDS-AL6630-3E-3P-E
72"	TWBDS-AL7230-3E-3P-E

We can provide one service per post:

Plumbing: up to 3 lines

Electric: up to 3 GFI's

Data: 2 or 4 data ports

Table Frame

Table Frames (TF) are available in standard depths of 30" and 36". They can be fixed or adjustable in height. Many sizes are available. As standard, this 1000 lb. capacity table has strut installed for future suspended cabinet installation. Table Frames height adjustments range between 30" to 38".

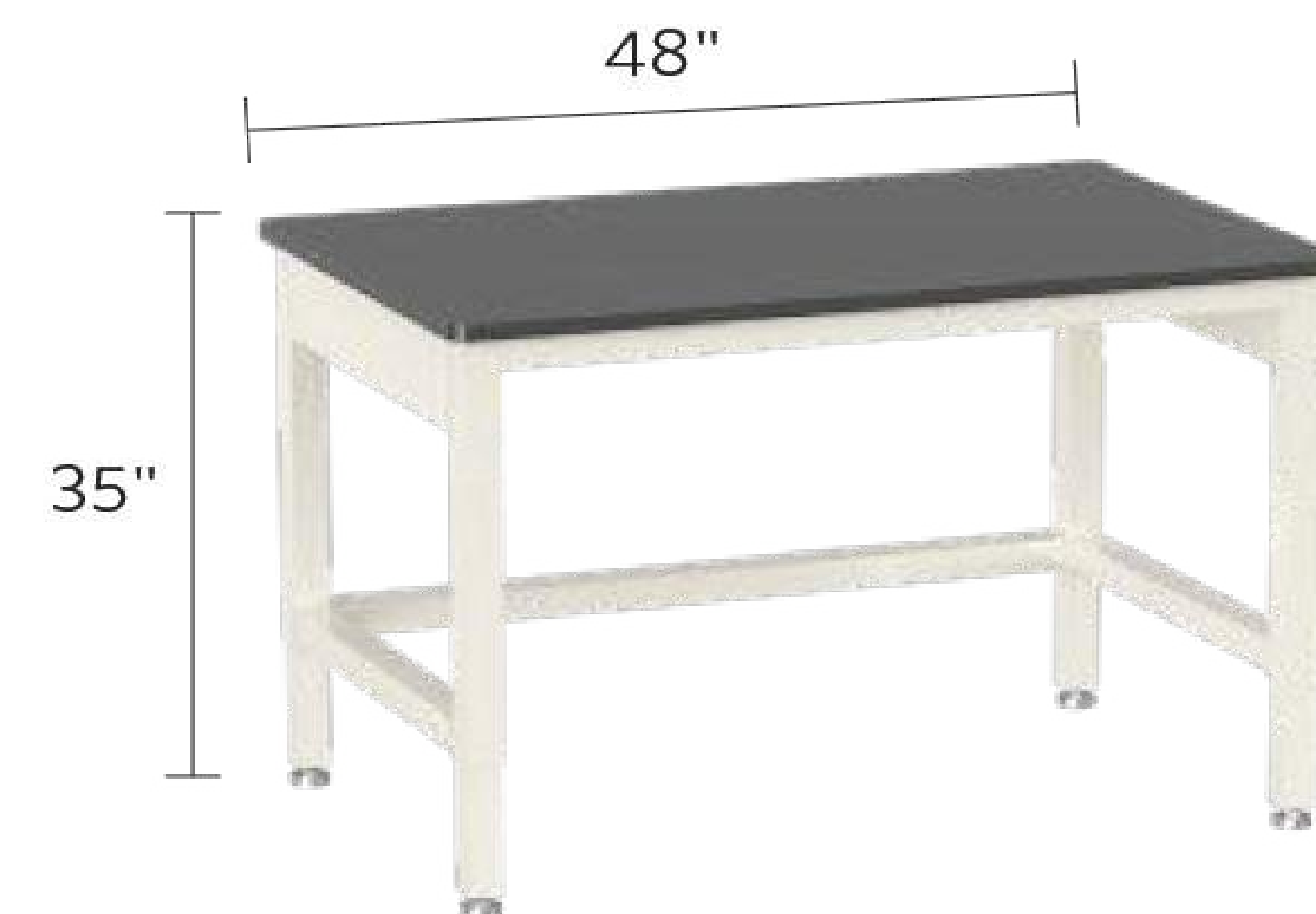


Table Frame Width Depth

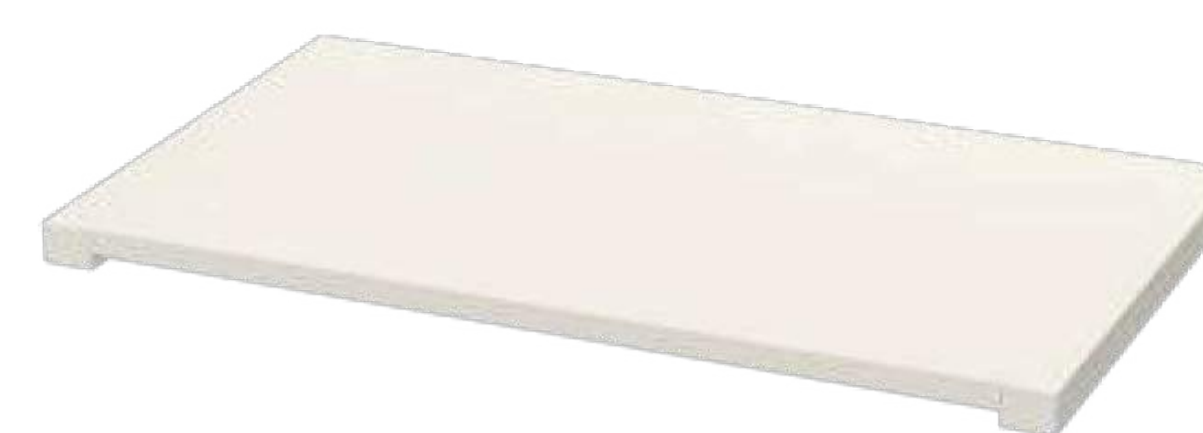
Example: TF-AL4230-N

- N = No Top
- E = Epoxy Top
- P = Phenolic Top
- L = Leveler Feet
- C = 250# Locking Casters
- H = 550# Leveling Casters
- A = Adjustable Height
- S = Stationary (Fixed Height)

TABLE FRAME



Width	Item Number
30"	TF-AL3030-E
36"	TF-AL3630-E
42"	TF-AL4230-E
48"	TF-AL4830-E
54"	TF-AL5430-E
60"	TF-AL6030-E
66"	TF-AL6630-E
72"	TF-AL7230-E



Width	Item Number
30"	TFSHELF-3030
36"	TFSHELF-3630
42"	TFSHELF-4230
48"	TFSHELF-4830
54"	TFSHELF-5430
60"	TFSHELF-6030
66"	TFSHELF-6630
72"	TFSHELF-7230

Bottom Shelf available in both Stationary & Adjustable

Table Frame End View

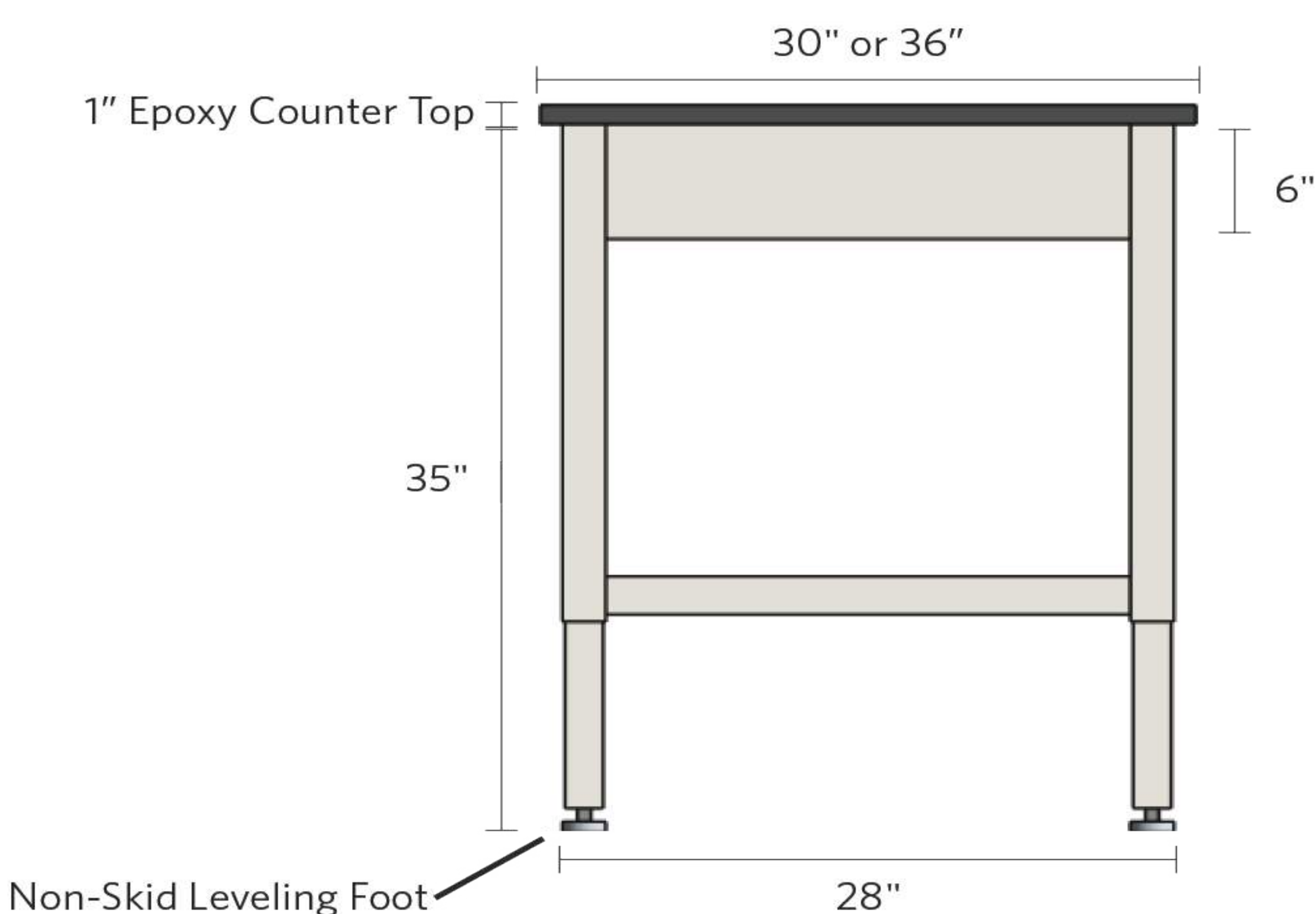


Table Frame Front View

