

Table Frame

Table Frames (TF) are available in standard depths of 30" and 36". They can be fixed or adjustable in height. Many sizes are available. As standard, this 1000 lb. capacity table has strut installed for future suspended cabinet installation. Table Frames height adjustments range between 30" to 38".

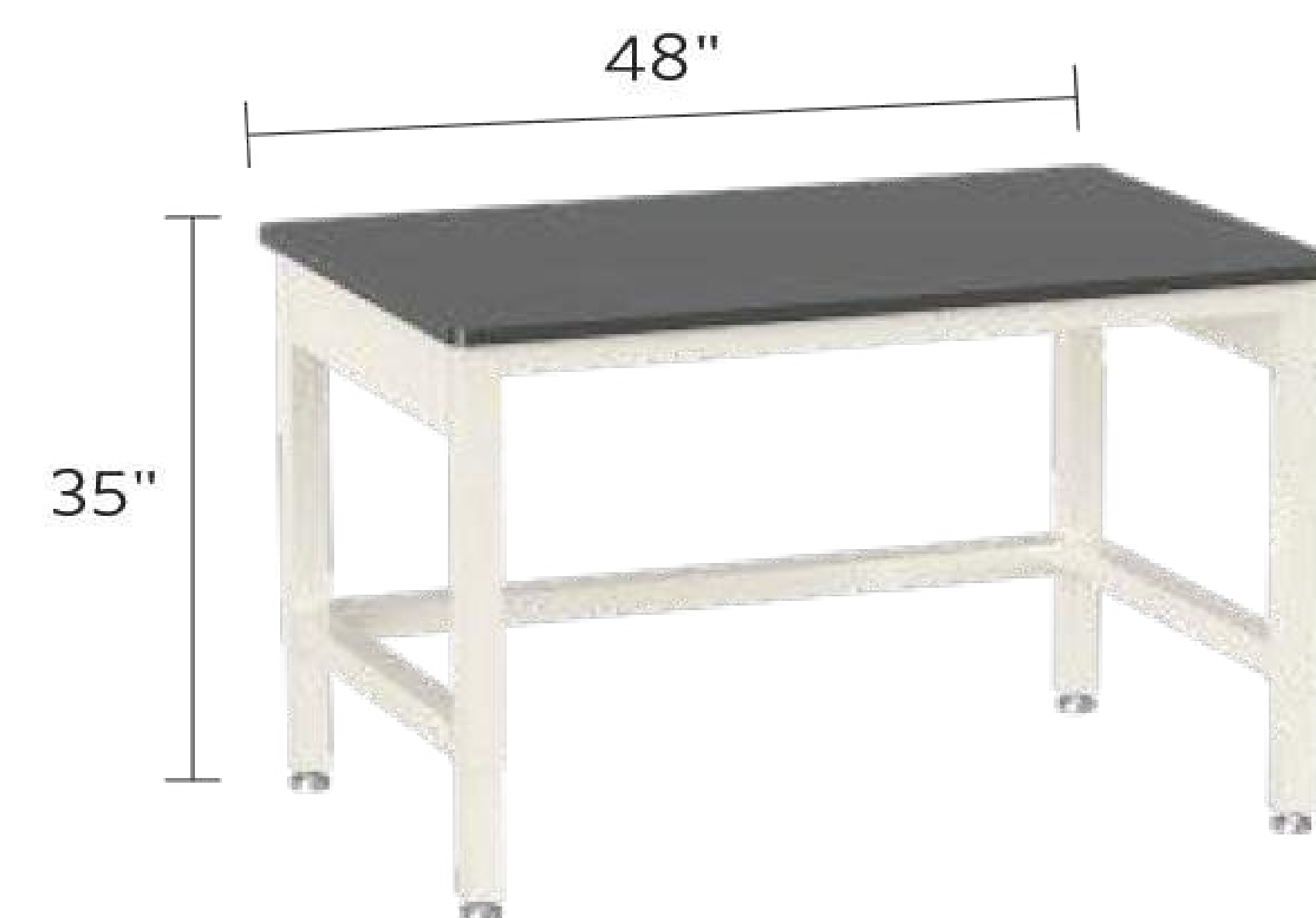


Table Frame Width Depth

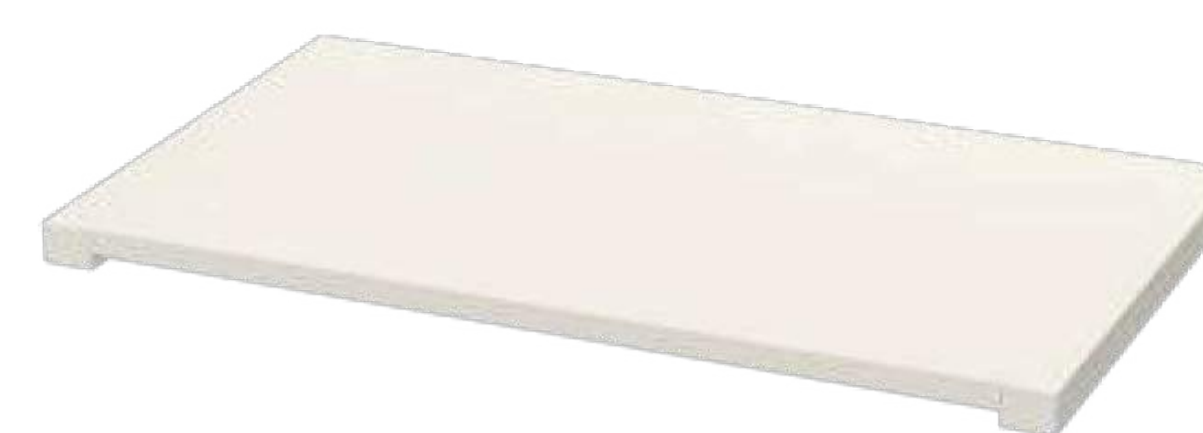
Example: TF-AL4230-N

- N = No Top
- E = Epoxy Top
- P = Phenolic Top
- L = Leveler Feet
- C = 250# Locking Casters
- H = 550# Leveling Casters
- A = Adjustable Height
- S = Stationary (Fixed Height)

TABLE FRAME



Width	Item Number
30"	TF-AL3030-E
36"	TF-AL3630-E
42"	TF-AL4230-E
48"	TF-AL4830-E
54"	TF-AL5430-E
60"	TF-AL6030-E
66"	TF-AL6630-E
72"	TF-AL7230-E



Width	Item Number
30"	TFSHELF-3030
36"	TFSHELF-3630
42"	TFSHELF-4230
48"	TFSHELF-4830
54"	TFSHELF-5430
60"	TFSHELF-6030
66"	TFSHELF-6630
72"	TFSHELF-7230

Bottom Shelf available in both Stationary & Adjustable

Table Frame End View

Table Frame Front View

