

# CSI Canadian Scientific

*The Future of Laboratory Design*

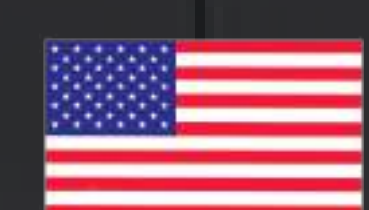
## Solution Series Fume Hoods

CAUTION

PRODUCT CATALOGUE

IN ASSOCIATION WITH

**AMS**  
AIR MASTER SYSTEMS





# Solution Series Fume Hoods

---



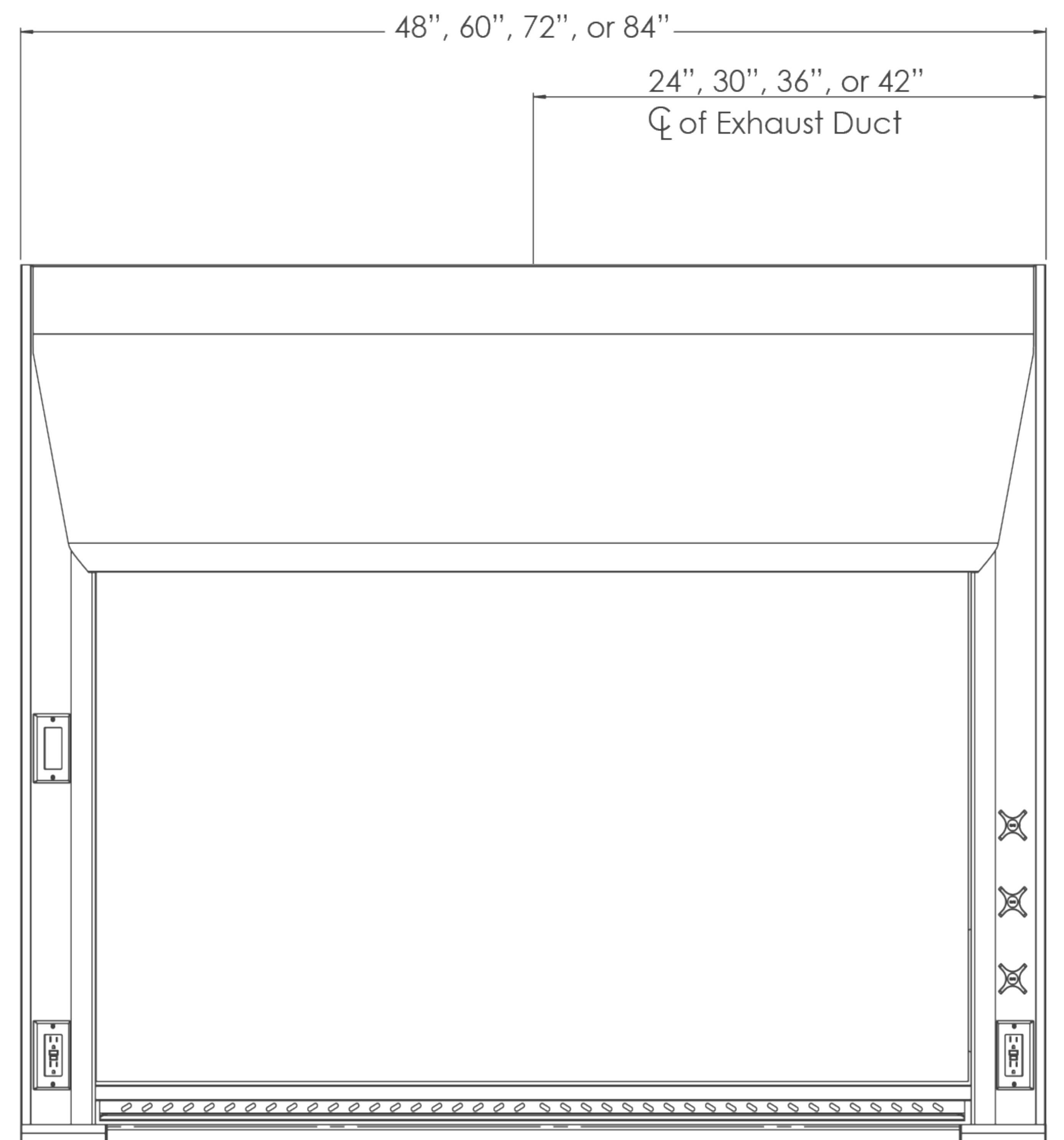
The Solution Hood was designed to handle a multitude of applications. Its streamlined posts and radiused airfoil, along with a 36-inch high viewing area, offer a softer look than conventional fume hoods. The hood passed NIH, EPA and ASHRAE 110 testing by a third party at 100 FPM and 60 FPM full open and at 18 inches. The hood can be used in both CV and VAV designs.



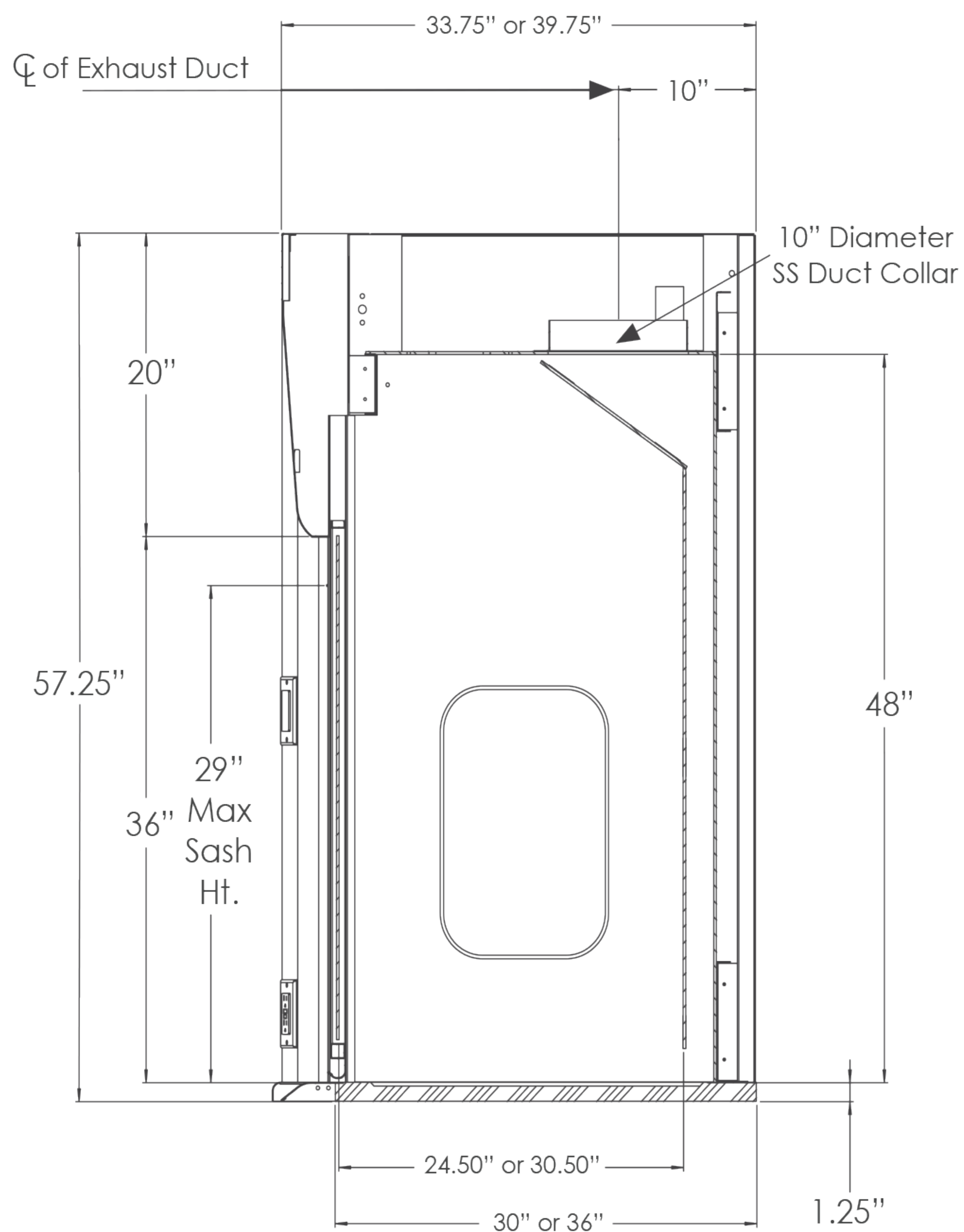


# Standard Configurations

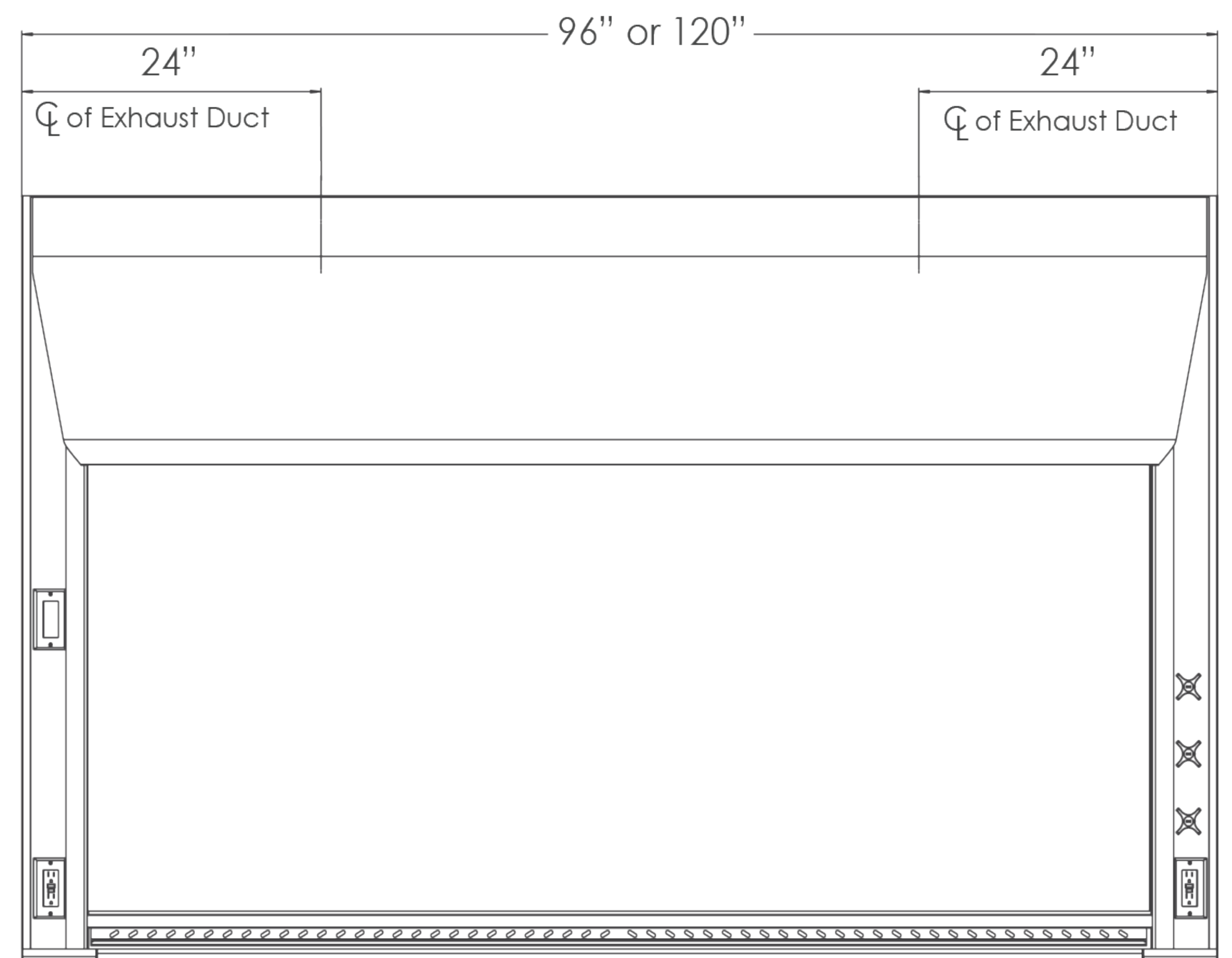
- Designed for CV or VAV HVAC systems
- Optimal interior working depth
- Chain and sprocket shaft drive sash
- 10" Round SS Duct Collar(s)
- Full Frame Construction
- Powder Coated Finish
- UL1805 Listed
- Flush mount airfoil
- LED Lights
- Full-length finger lift
- Knock down ready
- 60-100 FPM
- 36" High Sightline
- Frameless Sash



Solution Hood 48" - 72" Front View



Solution Hood Side View



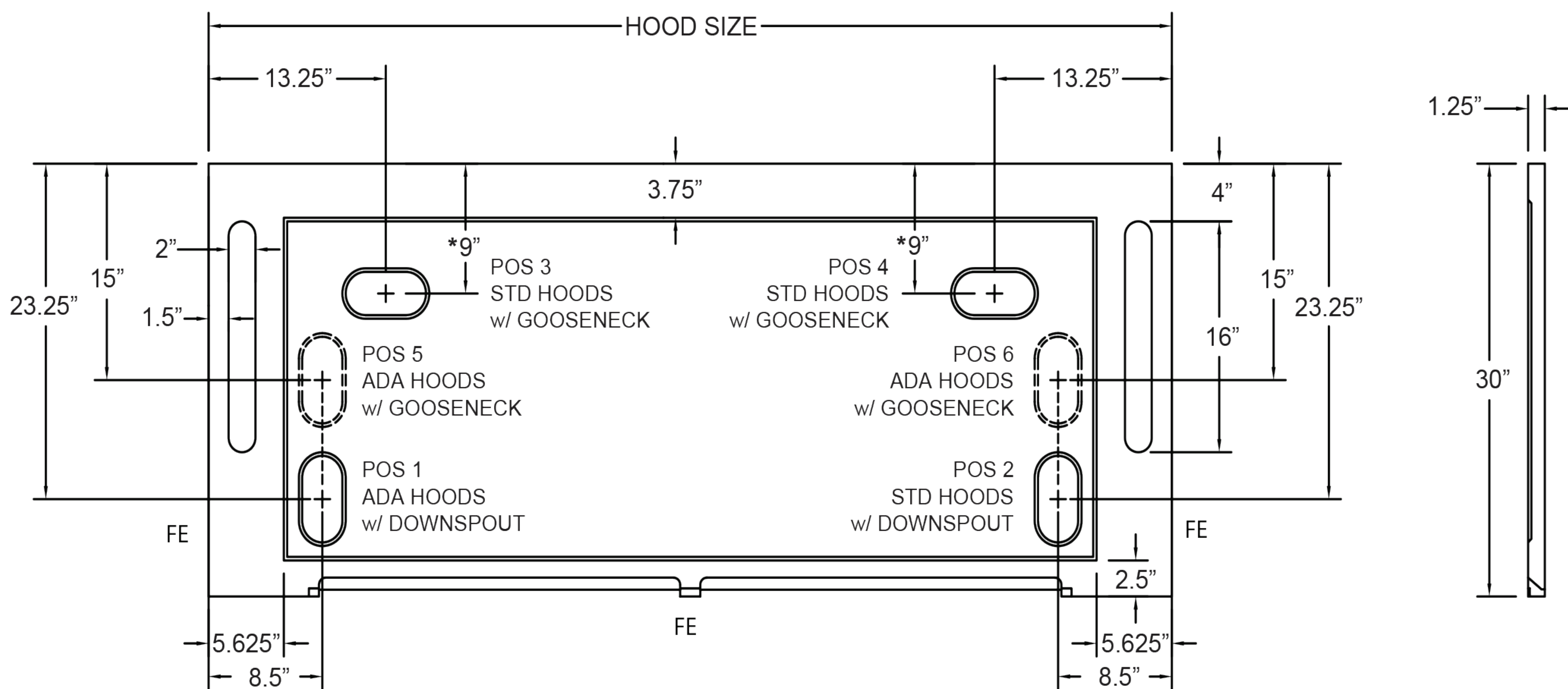
Solution Hood 96" Front View

\* Rectangular to 12" round transition available

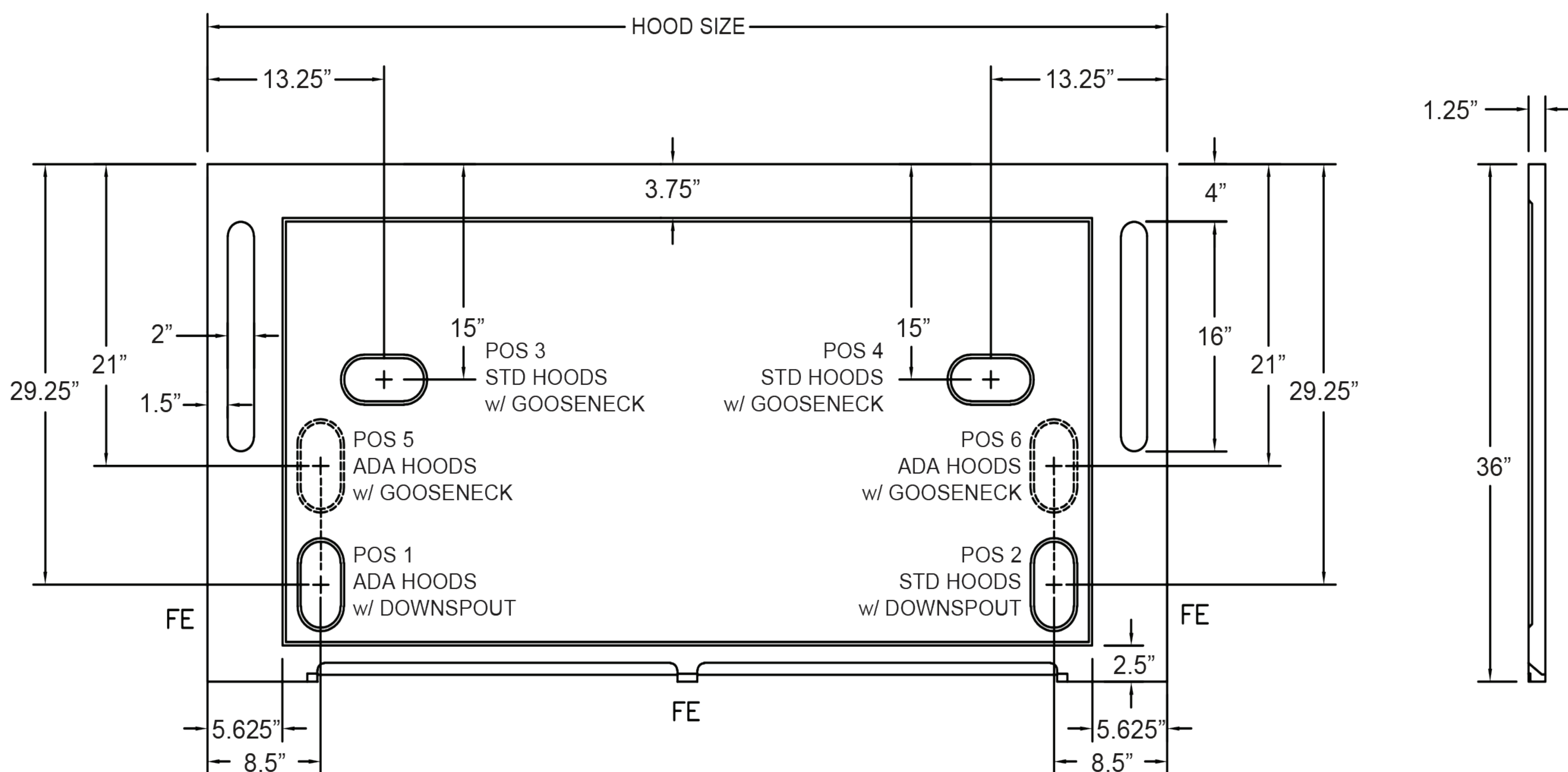


# Counter Top Configurations

## SOLUTION 30" COUNTERTOP DEPTH



## SOLUTION 36" COUNTERTOP DEPTH





# Technical Data

Solution Fume Hoods come in a variety of options and sizes. Check with your local representative for all of the different available options to fit your needs.

Part Number *	18" Sash Height		28" Sash Height	
	CFM @ 100 FPM / Static Pressure	CFM @ 60 FPM / Static Pressure	CFM @ 100 FPM / Static Pressure	CFM @ 60 FPM / Static Pressure
Solution-48	475 / 0.10	285 / 0.0	739 / 0.26	433 / 0.09
Solution-60	625 / 0.12	375 / 0.05	972 / 0.32	583 / 0.12
Solution-72	775 / 0.16	465 / 0.06	1206 / 0.41	723 / 0.15
Solution-84	925 / 0.20	555 / 0.07	1438 / 0.50	863 / 0.18
Solution-96	1075 / 0.11	645 / 0.04	1672 / 0.29	1003 / 0.10
Solution-120	1375 / 0.17	825 / 0.06	2138 / 0.43	1283 / 0.16



The Solution Ducted Hood is a functional and stylish fume hood designed to fit a multitude of laboratory applications. The streamlined posts and radiused airfoil, along with a 36-inch high viewing area offers a softer look than conventional fume hoods. This hood is applicable in both CV and VAV designs. All hood services are offered on the outsides of the hood, providing a safer work environment for any project.





# Standard Accessories

**Liner Material**

- Poly Resin (Standard)
- 304 Stainless Steel
- 316 Stainless Steel
- PVC
- PTFE
- Special

**Service Type**

- Ball Valve w/ Lever
- Needle Valve w/ Four-arm
- Front Mount Valve w/ Four-arm

**Fittings & Fixtures**

- Alarm 500
- Alarm 1000
- VAV (Cutout Only)

**Cupsink Options**

- 3" x 6"
- 3" x 9"
- 1/4" Raised Rim
- No Cupsink

**Base Cabinet Options**

- Corrosive Cabinet
- Flammable Cabinet
- Vacuum Pump Cabinet
- Hood Base Frame
- Sink Base Cabinet

**Base Cabinet Options**

- Black Epoxy (Standard)
- Type 304 Stainless Steel
- Type 316 Stainless Steel
- \*Other Colors available

**Blower Switch**

**Light Switch**

**120V GFI Duplex**

**120V GFI Duplex**

**\* Many other options available. Please contact Canadian Scientific for specific applications**



# Solution Series Floor Mounted

---



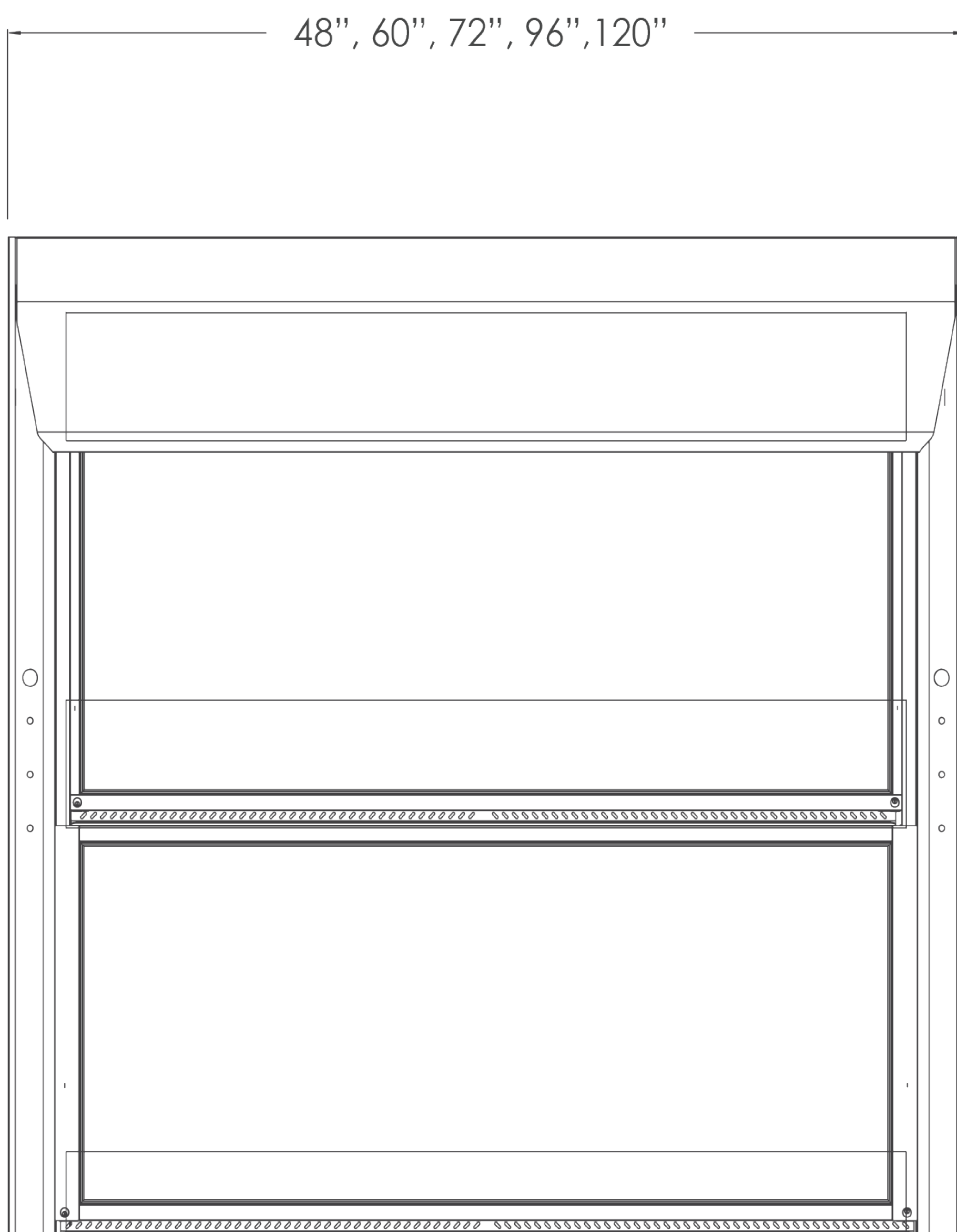
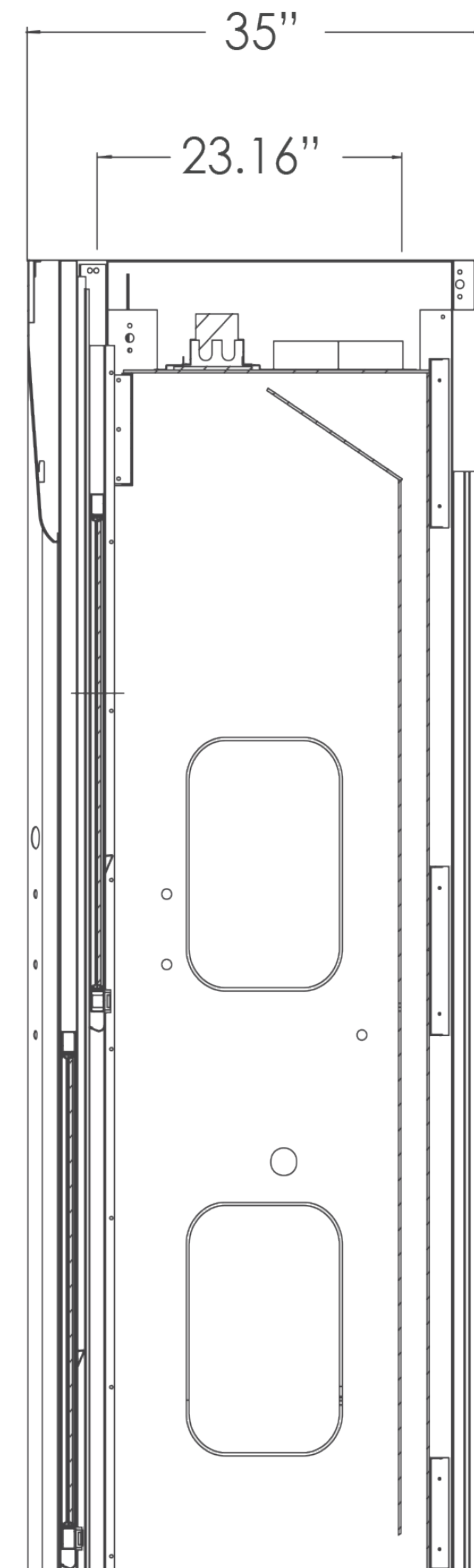
The Floor Mounted Solution series, with a double-hung sash configuration and 72" high opening, is designed to accommodate a large-apparatus application, up to 85" in height. Posts are 5" (127 mm) wide. Many heights and depths are available. Contact AMS to find the right size hood for your application. And with the AMS exclusive knock-down ability, even a hood this big is a breeze to install, maintain, repair and move.





# Standard Configurations

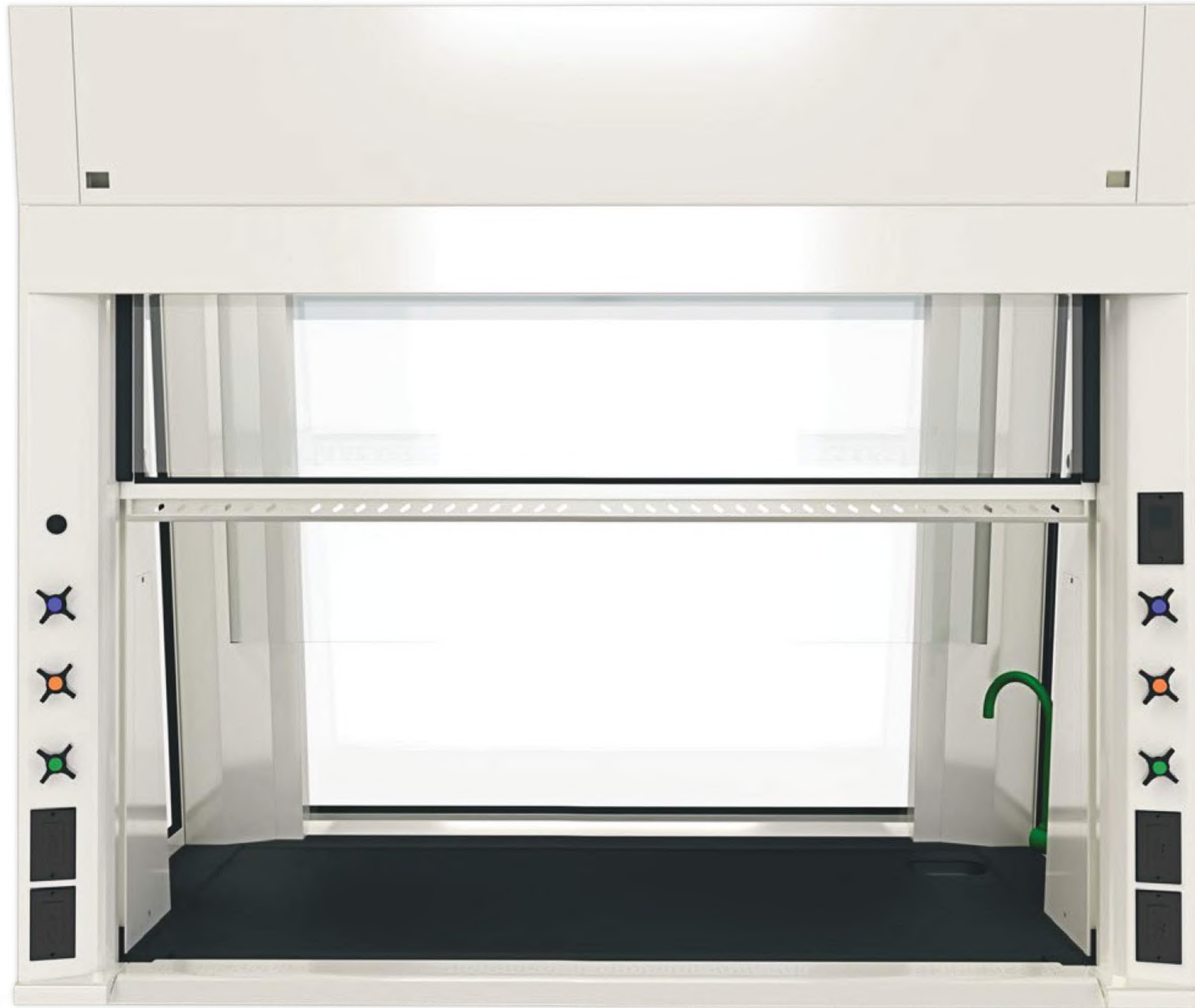
- Designed for CV or VAV HVAC systems
- Optimal interior working depth
- Chain and sprocket shaft drive sash
- 10" Round SS Duct Collar(s)
- Powder Coated Finish
- UL1805 Listed
- LED Lights
- Full-length finger lift
- Knock down ready
- Louvered front for bypass
- 60-100 FPM
- 36" High Sightline
- Frameless Sash



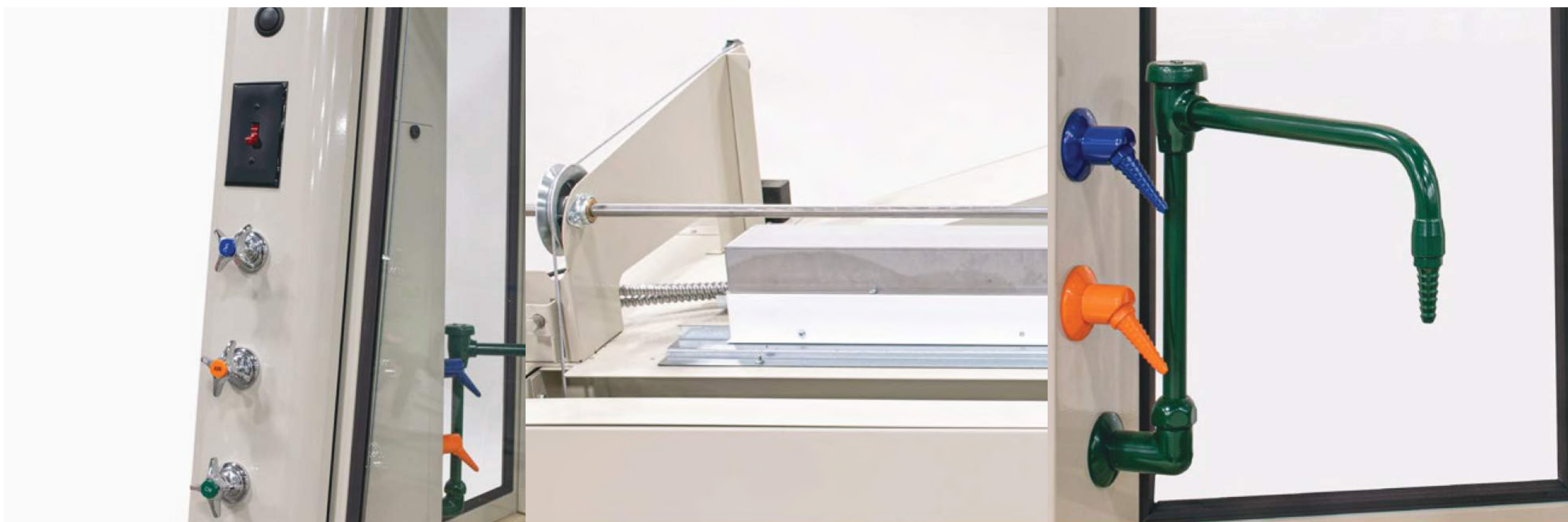


# Solution Work Station Fume Hoods

---



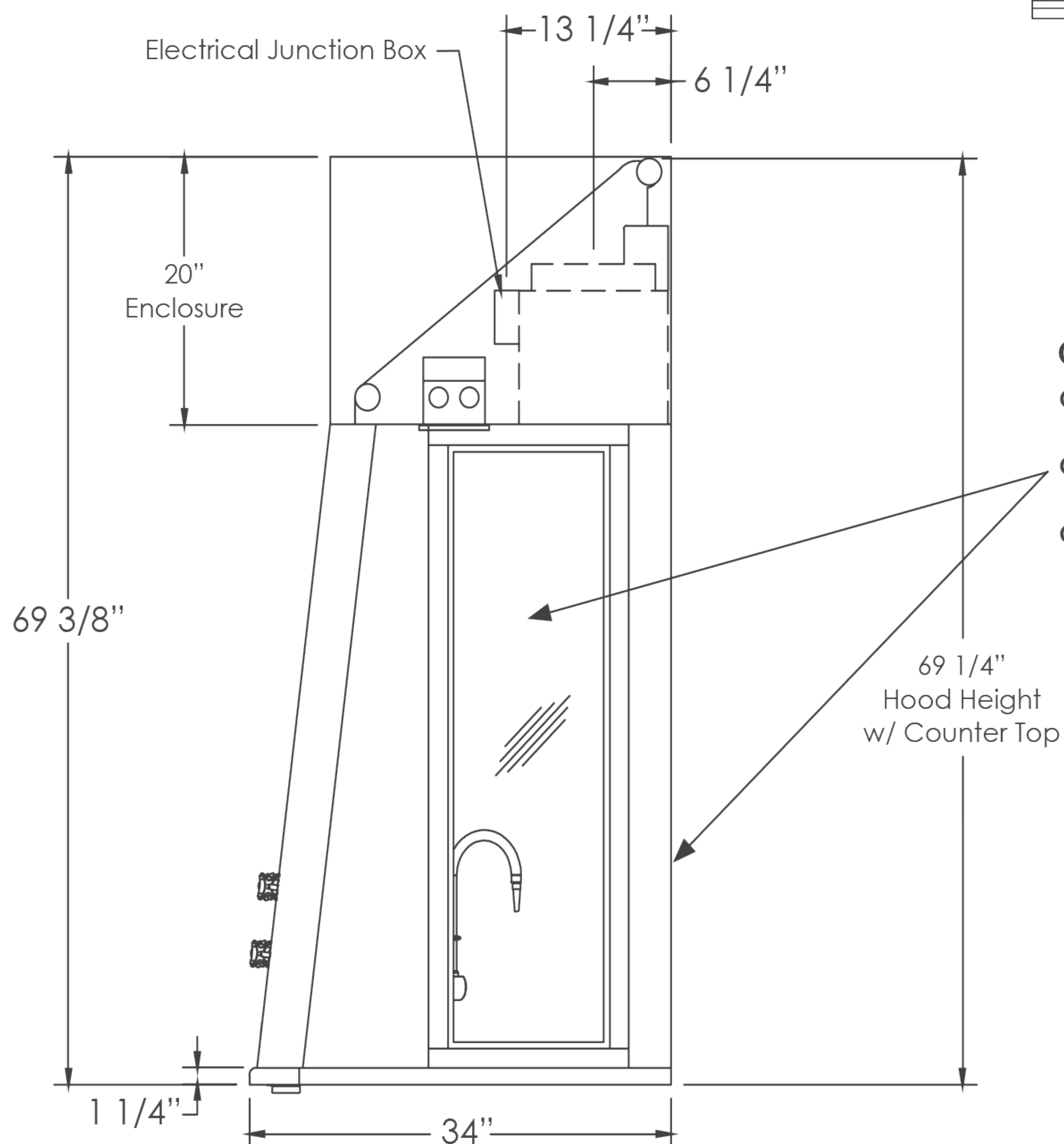
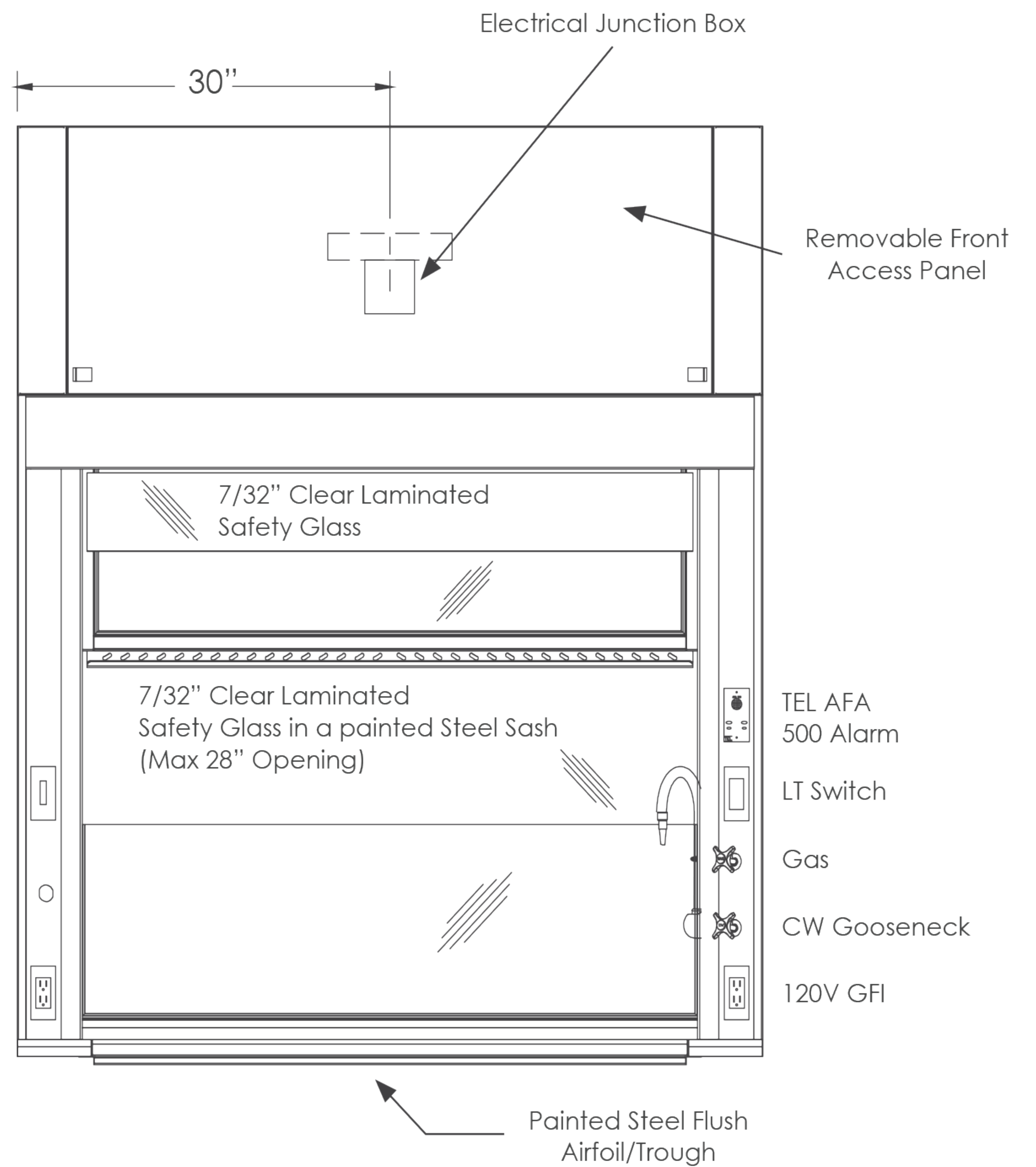
The Solution Work Station was designed to allow 360 degree viewing for undergraduate teaching labs. The SWS maximizes ambient light throughout the hood for optimal demonstration and ease of access. All plumbing fixtures are front loaded valves and are within arms reach for a safer environment. In addition, this hood has the flexibility necessary to allow back-to back or side-by-side configurations if necessary.





# Standard Configurations

- Full Frame Construction
- Chain & Sprocket Shaft Drive Sash
- UL1805 Listed
- Flush Mount Airfoil
- LED Lights
- Full Frame Construction
- Powder Coated Finish
- Optimal Interior Work Depths
- Knock Down



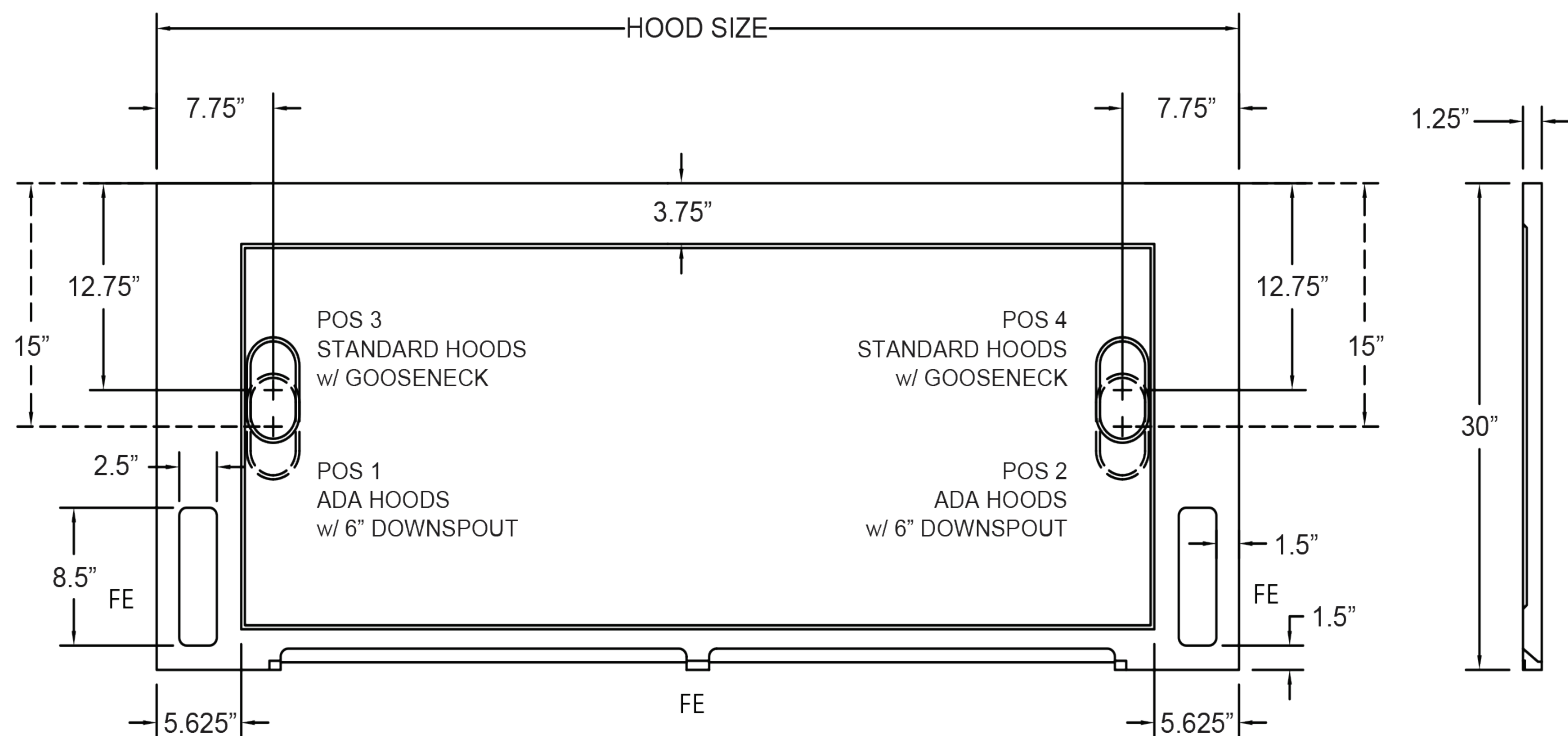
## Glass Options:

- Option 1:** 7/32" Clear Laminated Safety Glass Rear Panel
- Option 2:** Powder Coated Steel Rear Panel
- Option 3:** Polyresin UL Listed (White) Rear Panel



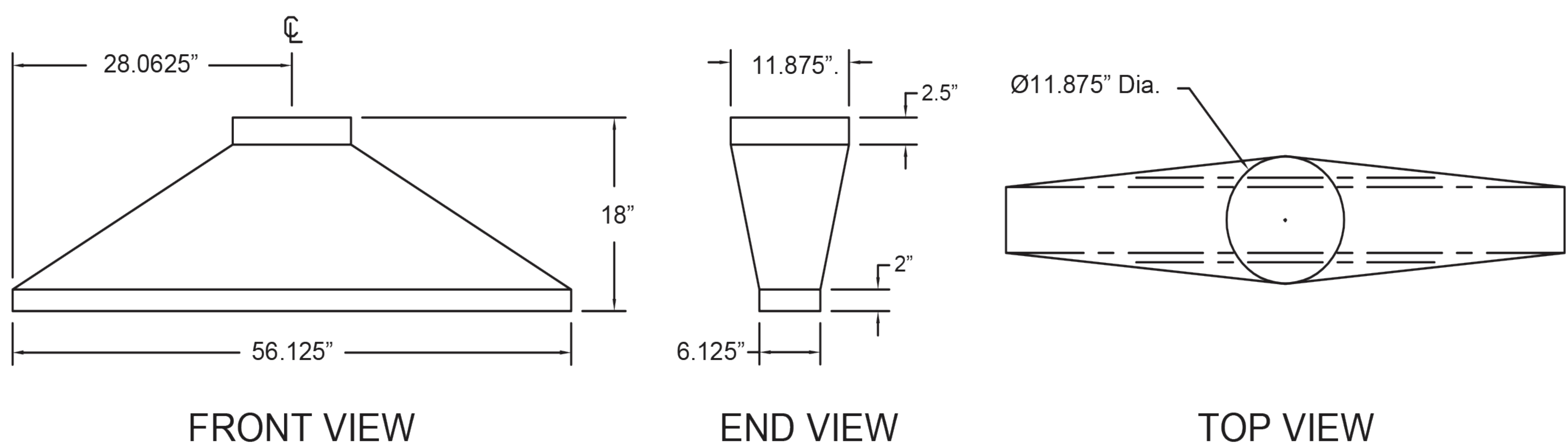
# Counter Top Configurations

## SWS 30" COUNTERTOP DEPTH



## TRANSITIONAL DUCT COLLAR

Solution Fume Hoods offer an optional Transitional Duct Collar, primarily used on, but not limited to, 7ft. or larger Fume Hoods. Many more options are available.





# Technical Data

The Solution Work Station (SWS) is a bench mounted, ducted fume hood designed to allow 360 degree viewing. The 7/32 clear, laminated safety glass side panels protects students and on-lookers while giving them a clear view of the processes inside. Also included are two LED bulbs to make sure your experiments are clearly illuminated for all to see.

Part Number *	18" Sash Height		28" Sash Height	
	CFM @ 100 FPM / Static Pressure	CFM @ 60 FPM / Static Pressure	CFM @ 100 FPM / Static Pressure	CFM @ 60 FPM / Static Pressure
SWS-48	475 / 0.09	285 / 0.03	770 / 0.24	433 / 0.07
SWS-60	625 / 0.11	375 / 0.04	1000 / 0.30	583 / 0.10
SWS-72	775 / 0.15	465 / 0.05	1250 / 0.39	723 / 0.13
SWS-96	1075 / 0.10	645 / 0.03	1730 / 0.27	1003 / 0.80



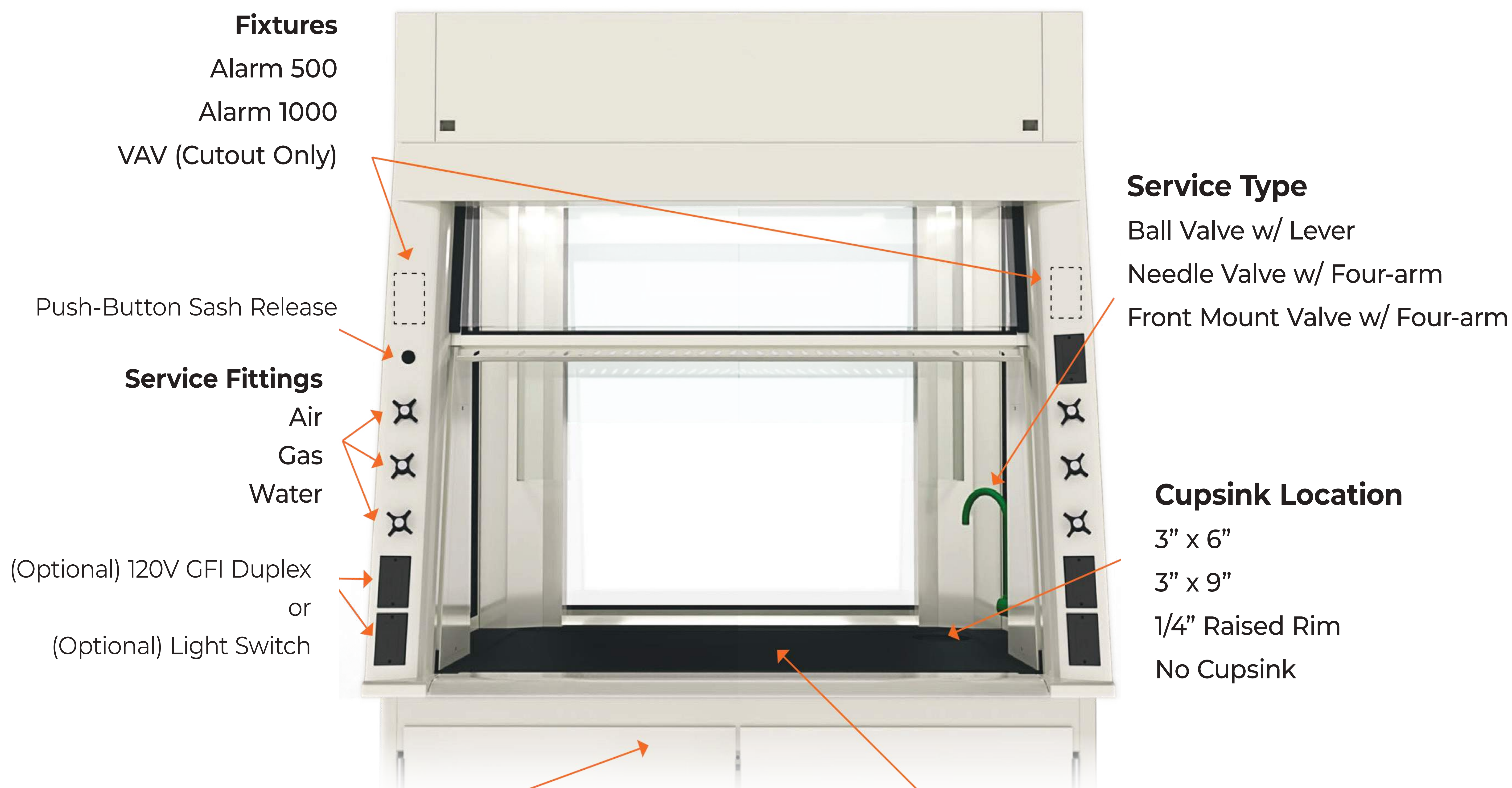
The SWS fume hood has a 37.5" hood opening for the taller equipment that might need to be placed in the hood.

Front load valves and outlets within arms' reach are standard so no need to put your head inside the hood to access plumbing fixtures





# Standard Accessories



## Base Cabinet Options

- Acid Cabinet
- Flammable Cabinet
- Vacuum Pump Cabinet
- Hood Base Frame
- Sink Base Cabinet

## Work Surface Material

- Black Epoxy (Standard)
- Type 304 Stainless Steel
- Type 316 Stainless Steel
- \*Other Colours available*

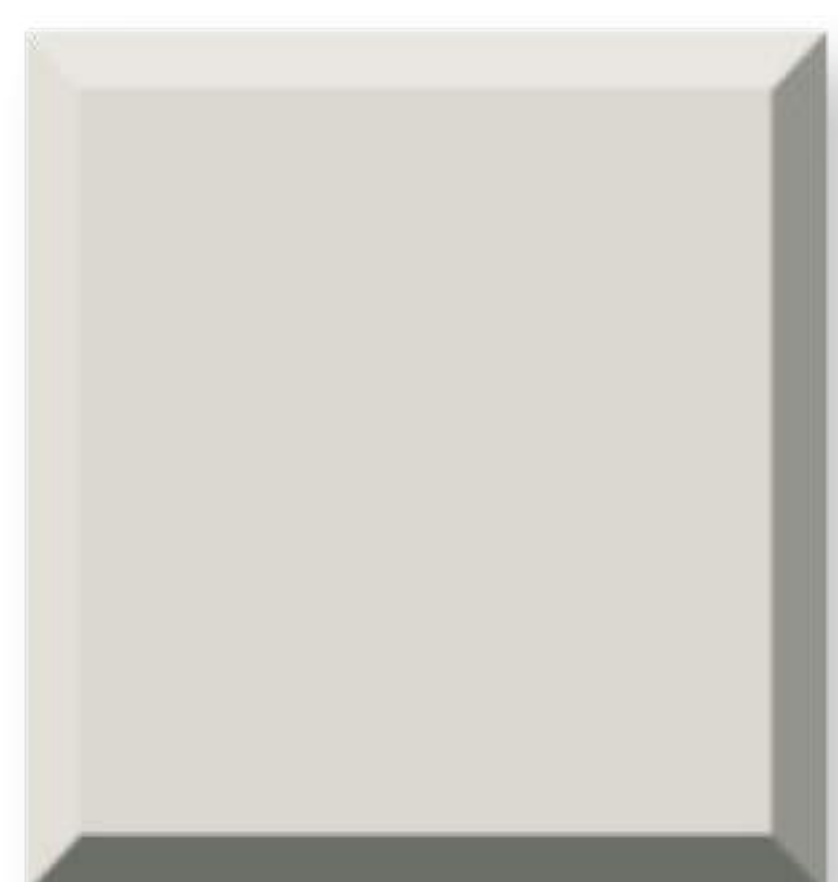
**\* Many other options available. Please contact Canadian Scientific for specific applications**



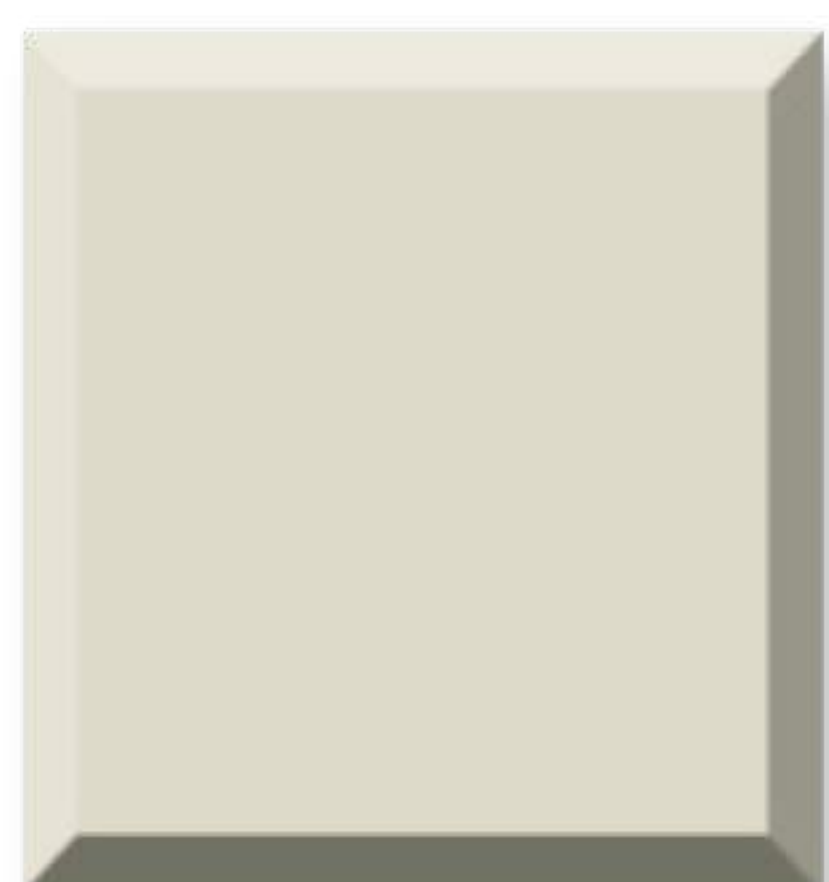
# Colour Chart

---

These reproductions of the standard colors may vary from actual finished products. If color match is critical, actual samples on metal can be supplied upon request. Special match colors can be supplied when specified. Please contact the Canadian Scientific Office for pricing information.



Off White



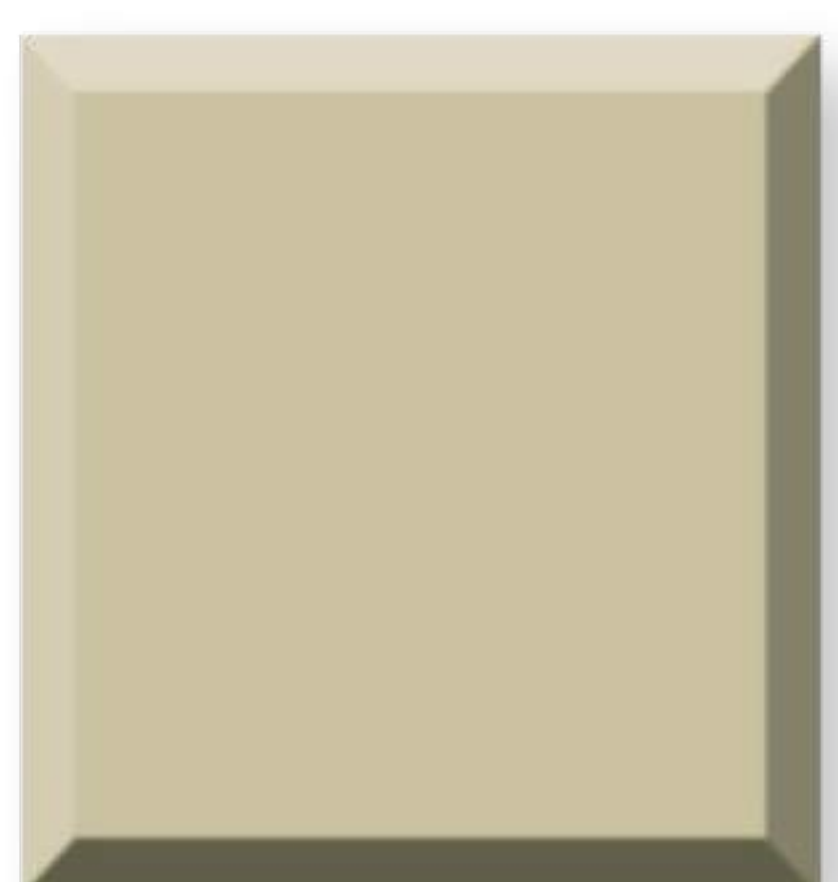
Champagne



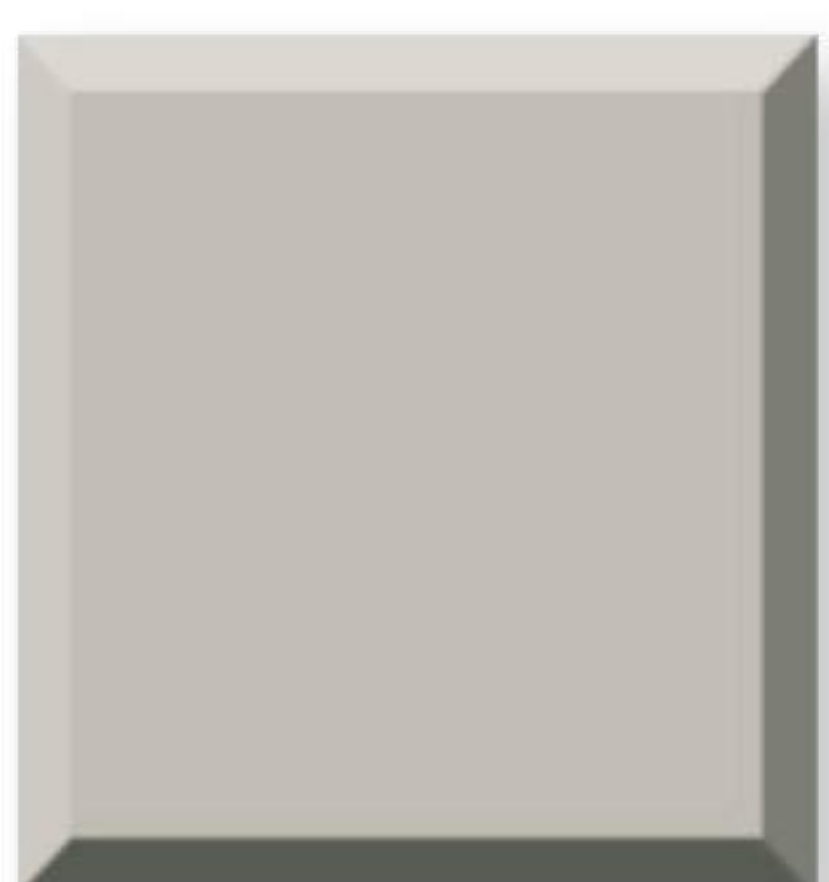
Light Almond



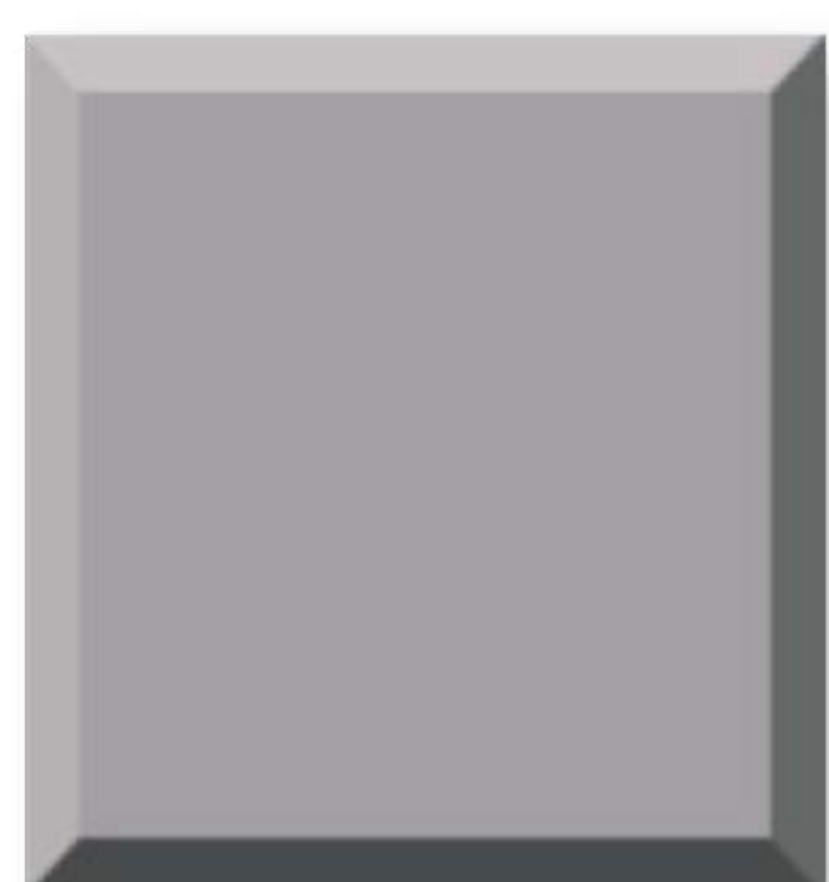
Model Gray



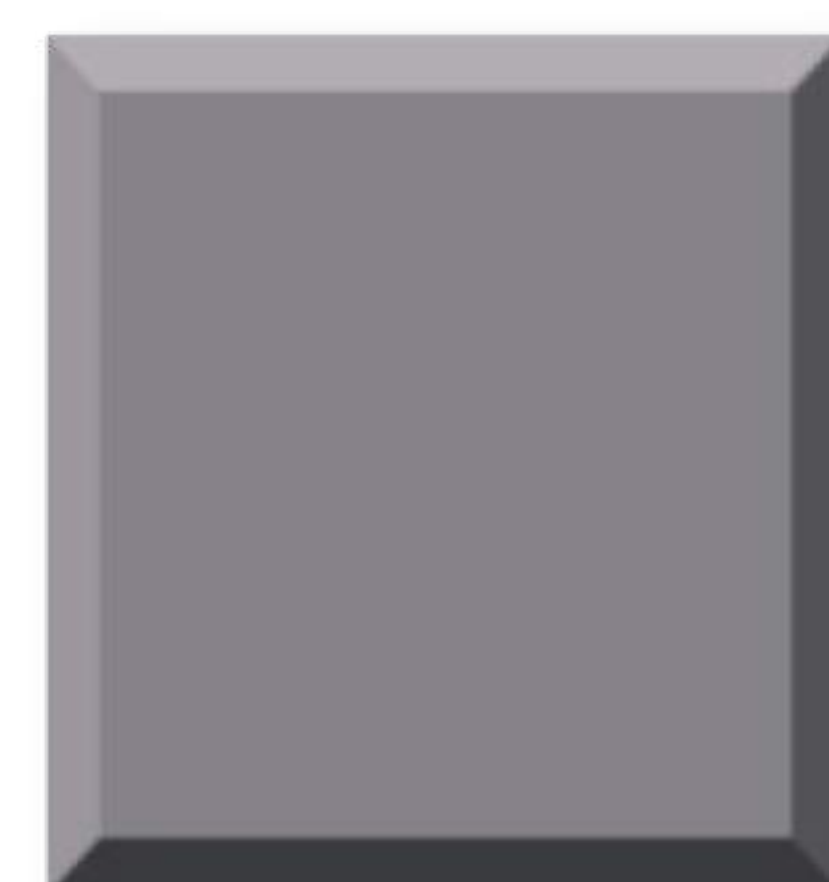
Fawn Beige



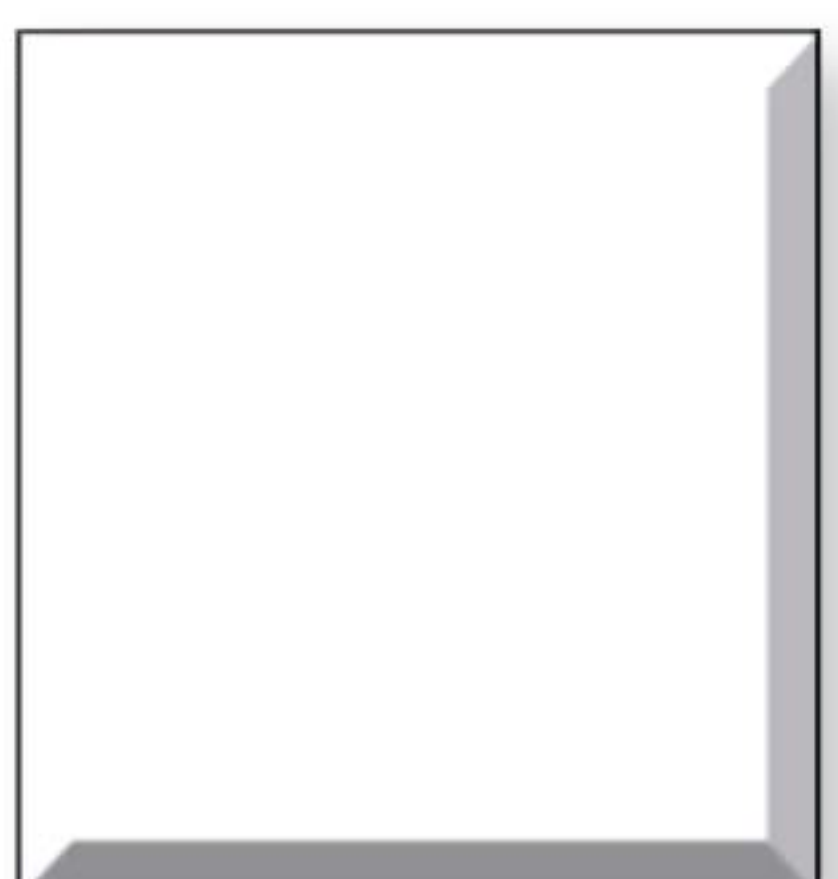
Stone Gray



Pewter



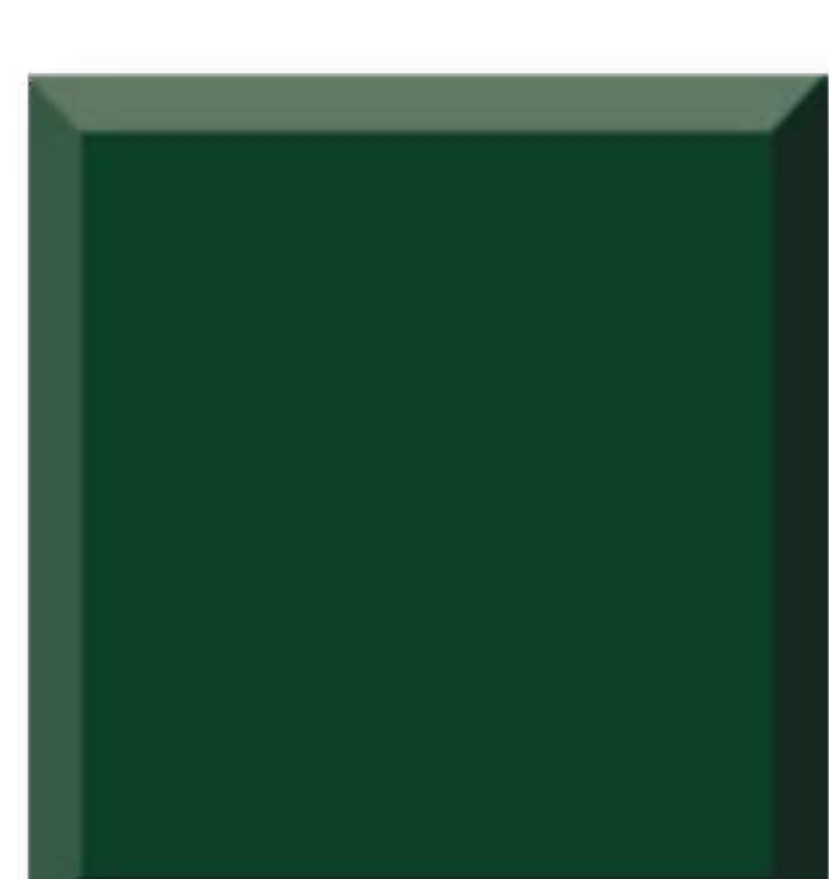
Banker's Gray



Petal White



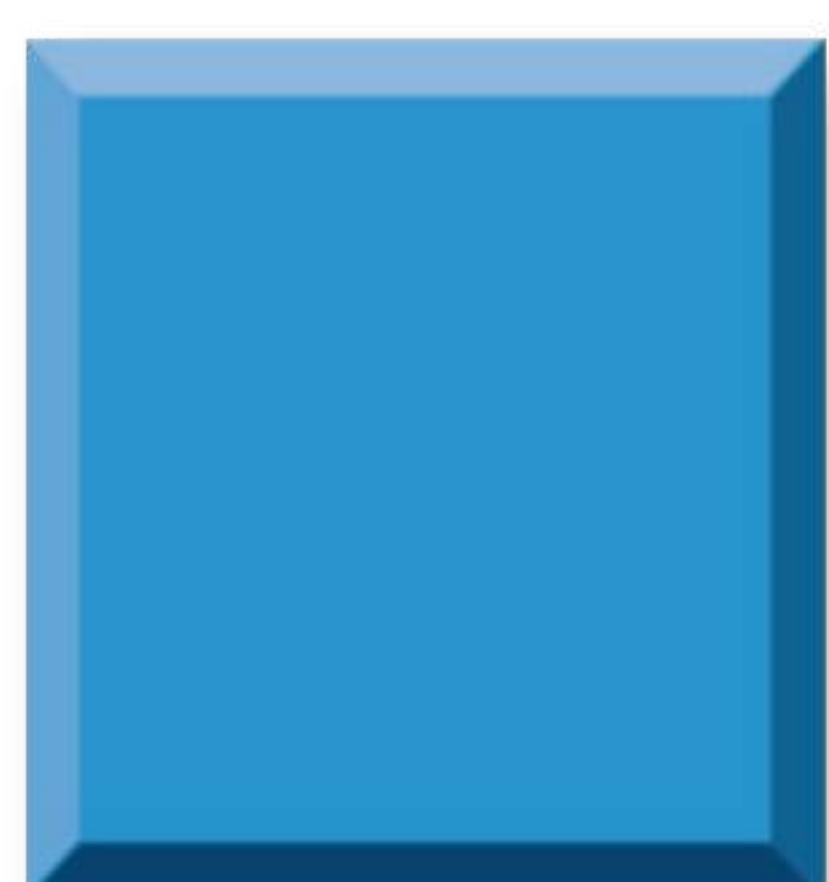
Black



Hunter Green



Burgundy



Medium Blue



Wedgewood Blue