

The Eliminator 300 Series

The Eliminator 300 series is a thin-wall hood with slimmer front posts to expand the workspace. Posts are 2-1/2" (64 mm) wide.

Because the slimmer posts remove the option for wiring and plumbing in the posts, plumbing services must be deck mounted. Optional light and blower switches can be mounted on the post.

Five standard widths with unlimited heights and depths are available.

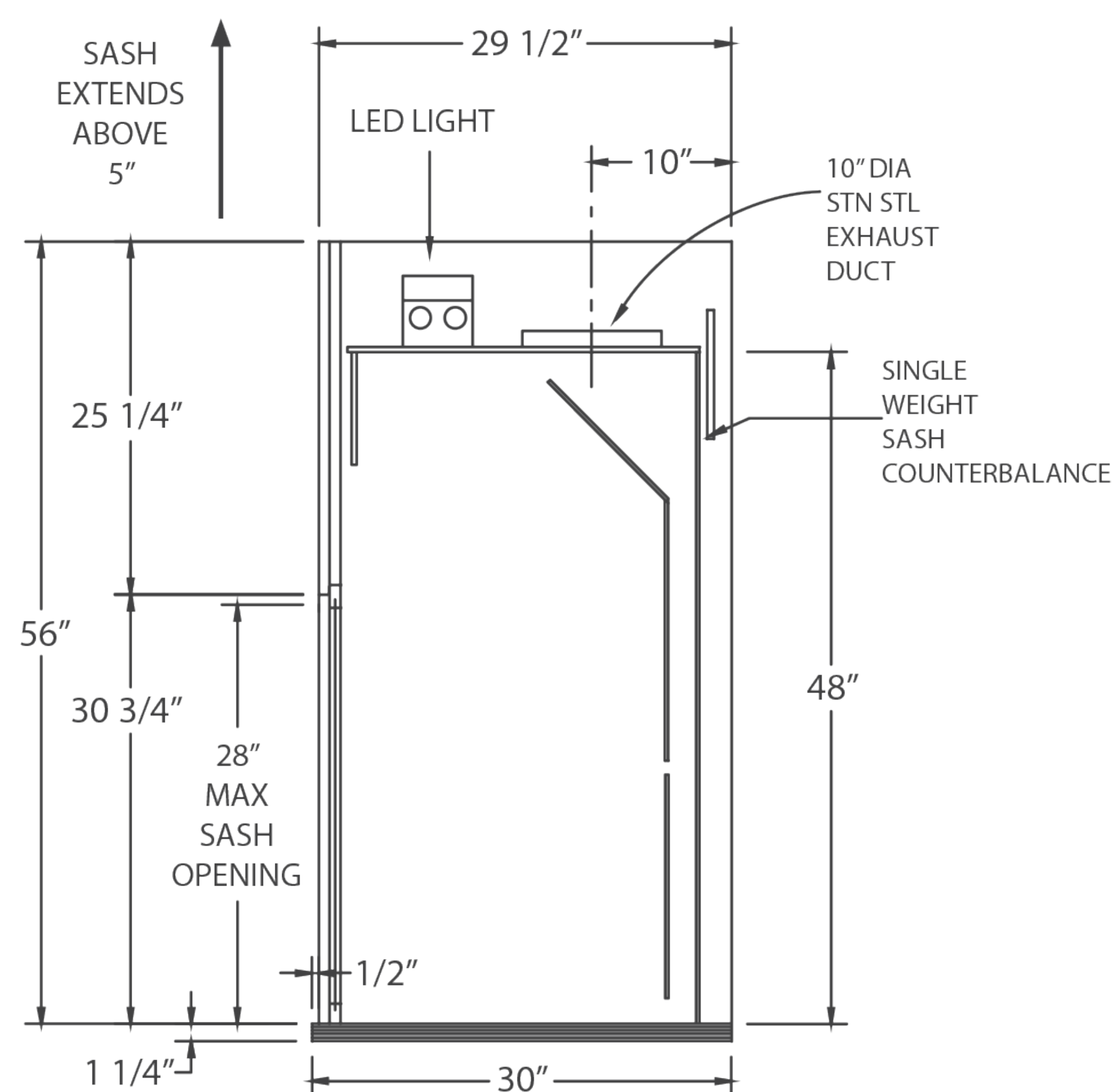
ELIMINATOR 300 - THIN WALL

Thin Wall - Expanded Workspace



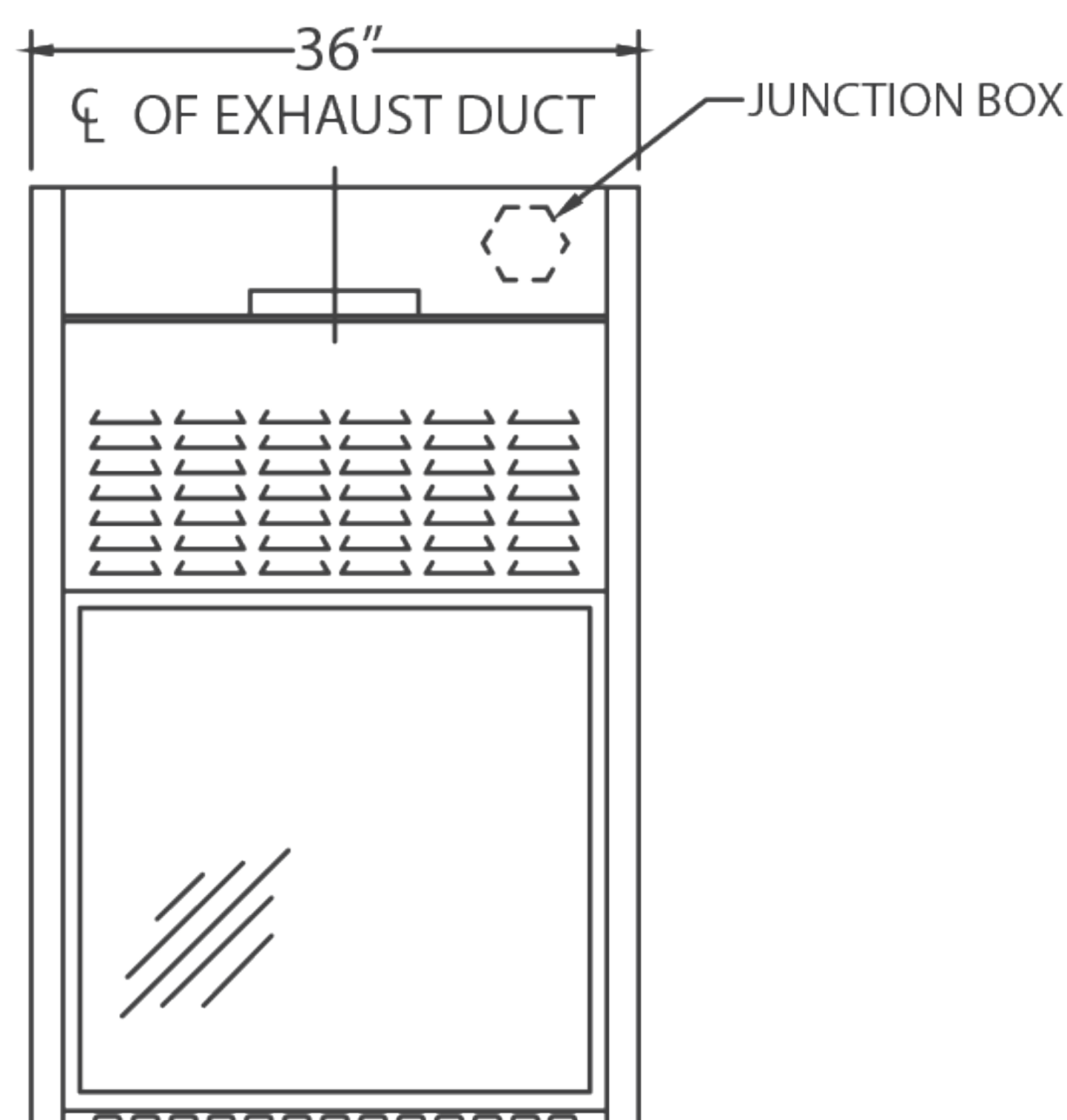
U.L. 1805
Classified

- Powder coat finish
- Full frame construction
- Shaft drive sash
- U.L. listed poly resin liner
- LED light with bulbs
- Knock down capability
- Full-length finger lift
- Louvered front for by-pass

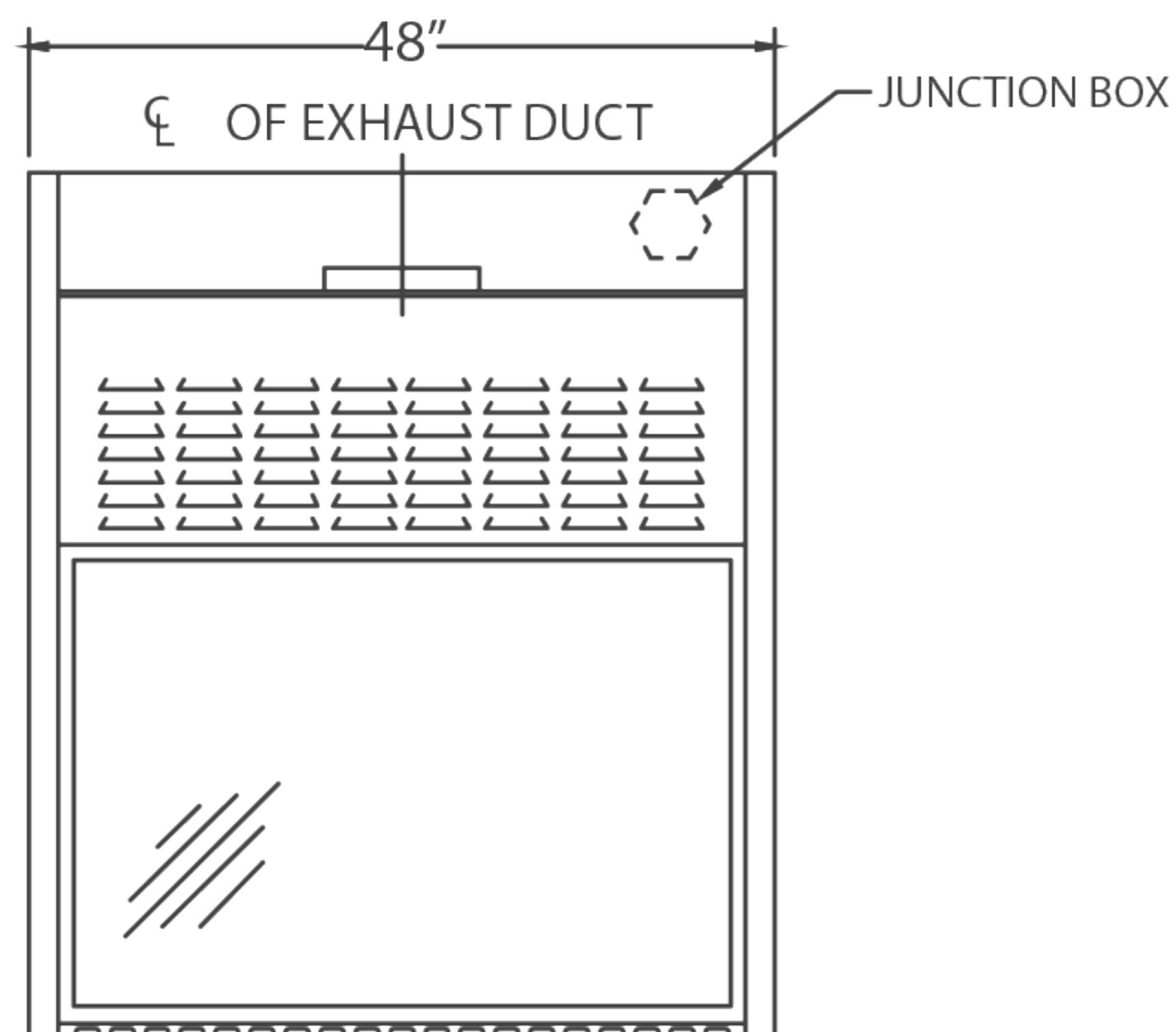


| Part Number | Superstructure | | | Worktop | | | Hood Opening | | CFM @ 28"* | CFM @ 18"* | SP | Blower Model # | Shipping Weight |
|-------------|----------------|-----|---------|---------|--------|-----|--------------|-----|------------|------------|-----|----------------|-----------------|
| | W | H | D | W | H | D | W | H | | | | | |
| EH-311-36 | 36" | 56" | 29-1/2" | 36" | 1-1/4" | 30" | 26" | 28" | 646 | 431 | .25 | BL-300-36 | 190 |
| EH-311-48 | 48" | 56" | 29-1/2" | 48" | 1-1/4" | 30" | 38" | 28" | 896 | 597 | .25 | BL-300-48 | 175 |
| EH-311-60 | 60" | 56" | 29-1/2" | 60" | 1-1/4" | 30" | 50" | 28" | 1146 | 764 | .39 | BL-300-60 | 200 |
| EH-311-72 | 72" | 56" | 29-1/2" | 72" | 1-1/4" | 30" | 62" | 28" | 1417 | 944 | .37 | BL-300-72 | 250 |
| EH-311-96 | 96" | 56" | 29-1/2" | 96" | 1-1/4" | 30" | 86" | 28" | 1896 | 1264 | .43 | BL-300-96 | 275 |

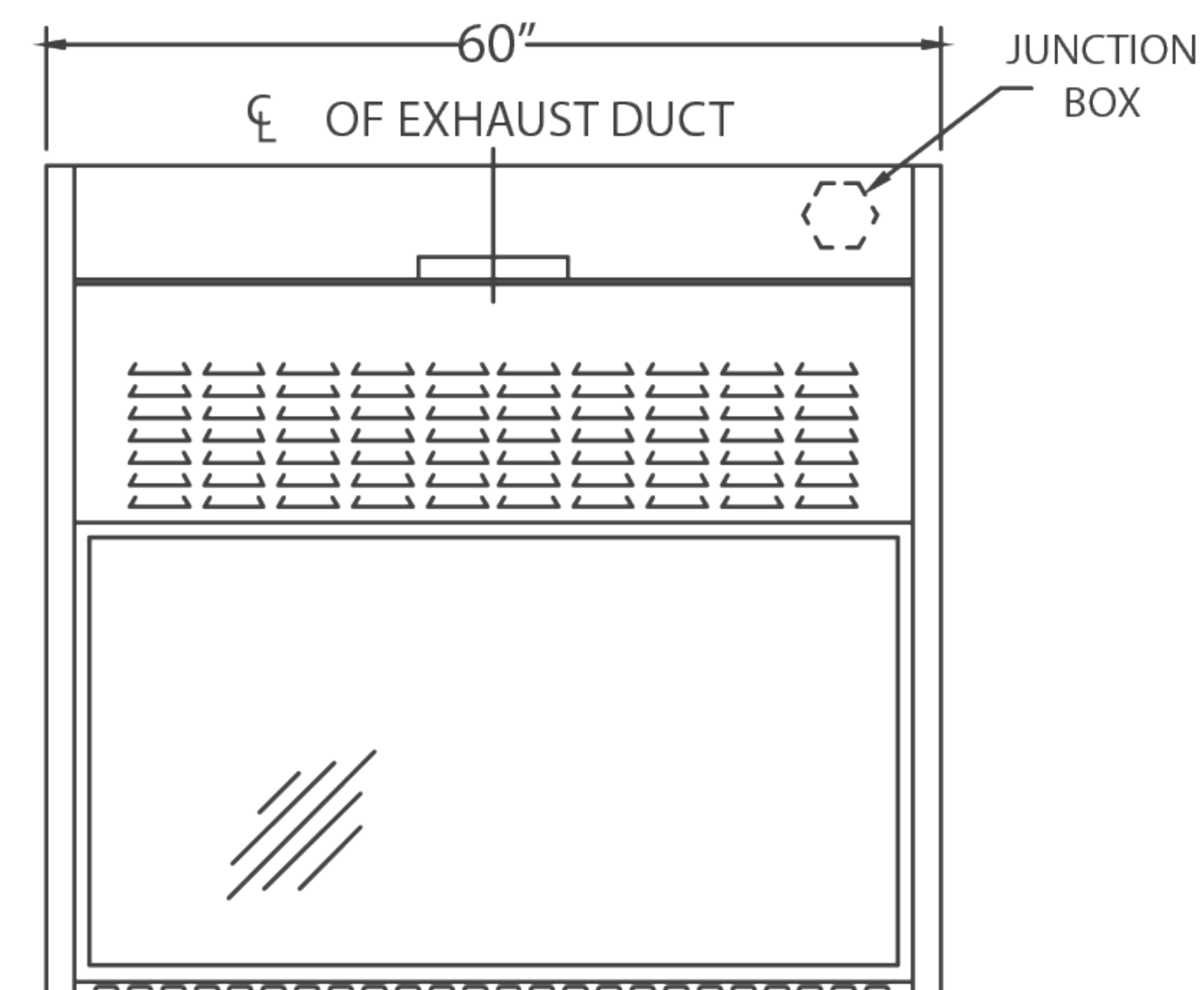
The Eliminator 300 Series



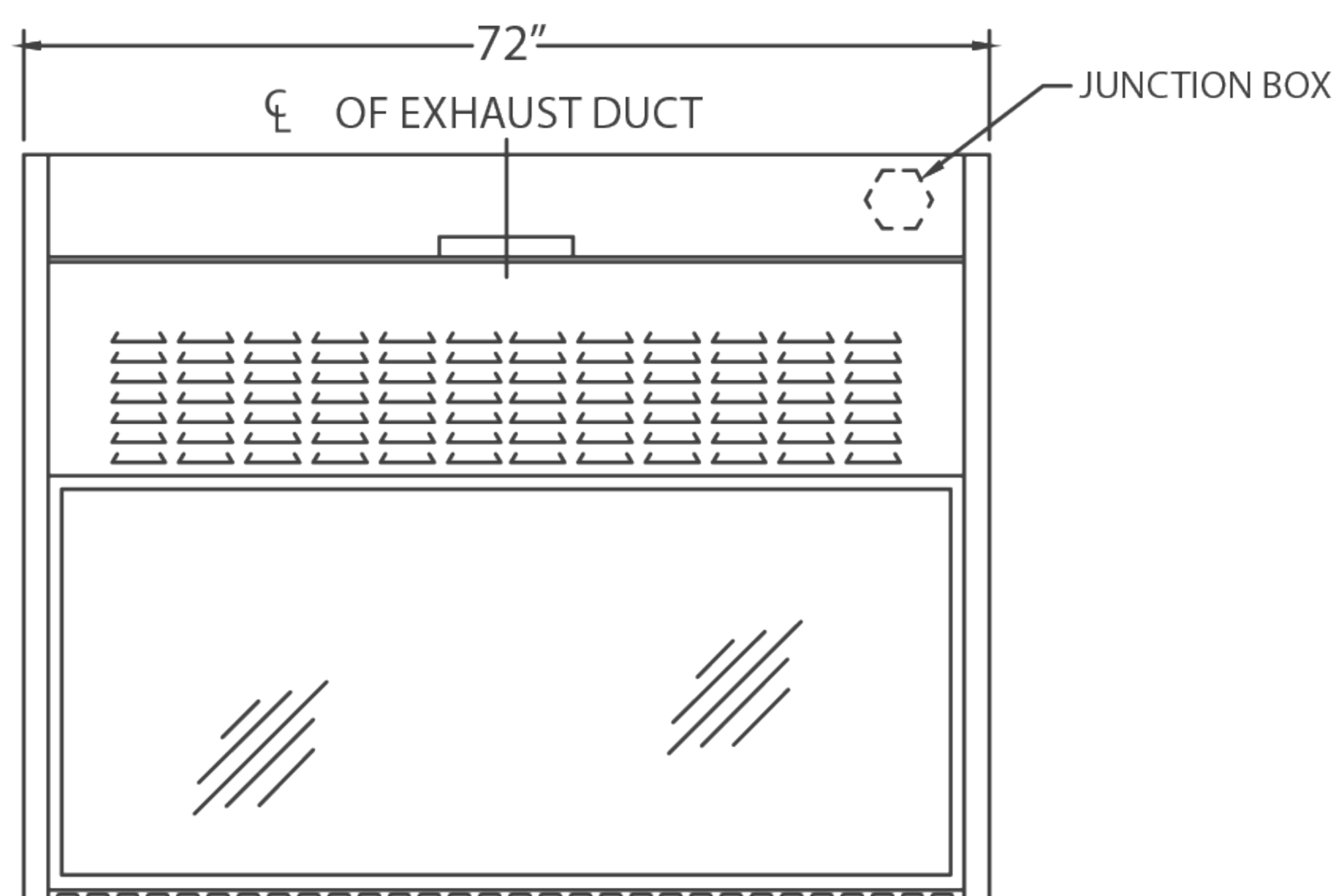
EH-311-36



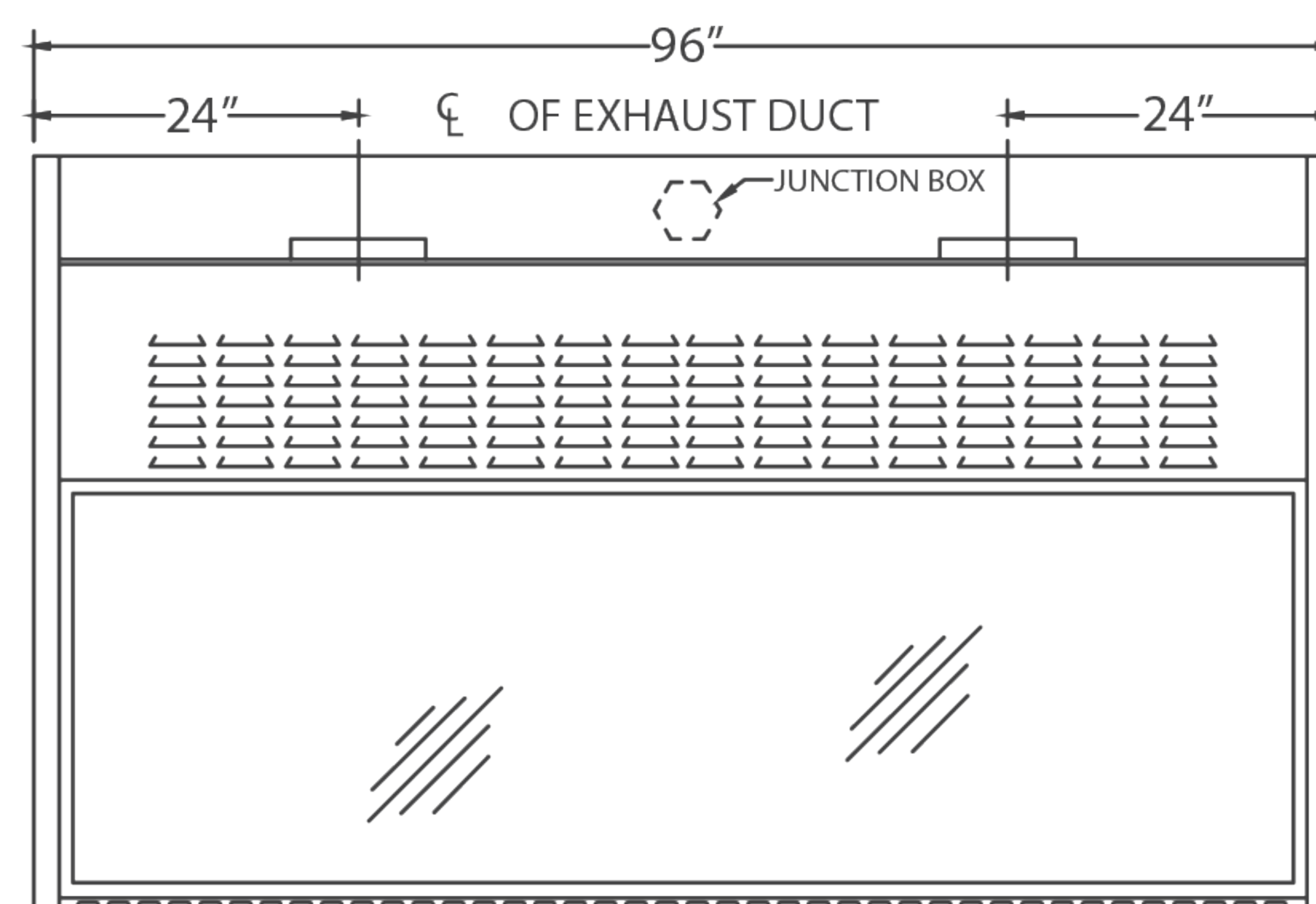
EH-311-48



EH-311-60



EH-311-72



EH-311-96

ACCESSORIES

| ITEM | AMS PT# | PAGE # | ITEM | AMS PT# | PAGE # |
|------------------------|---------|--------|--------------------------|-------------|--------|
| Ceiling Enclosures | CE | 33 | Sash Stops | SASHSTOP | 38 |
| Plumbing Accessories | | 34 | Chain and Sprocket Drive | CHNSPK | CALL |
| Electrical Accessories | | 35 | Stainless Steel Sash | SS SASH | 38 |
| Epoxy Tops | ET | 39 | Combination Sash | H&V | 38 |
| Alarms | ALARM | 32 | Lattice Assembly | LATTICE | CALL |
| Base Cabinets | BC | 26 | Auto Sash Return | AUTO RETURN | 38 |
| Blowers | BL | CALL | | | |