

The Eliminator 900 Series

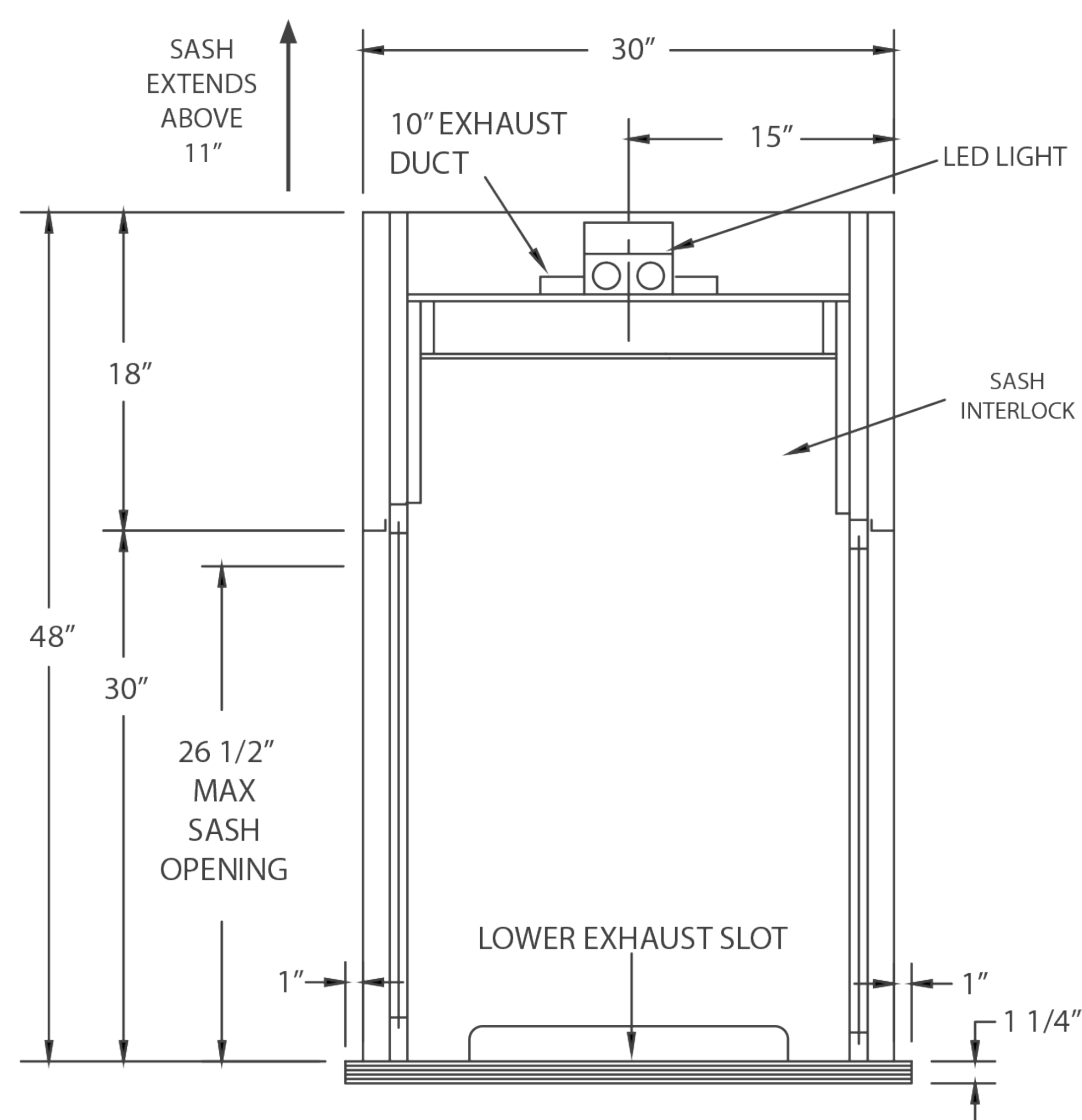
The EH-900 series is an educational viewing fume hood with one slimmed down (2" or 51 mm) front post and one standard (5" or 127 mm) post to allow for more workspace and electrical services. Plumbing service must be deck mounted. The EH-900 is available in either right-hand or left-hand orientation. This hood features a two-sash configuration and a third (end) viewing window, making it ideal for use in high schools or any environment where demonstration of experiments is desired. The end window may be eliminated for through-wall installations.

ELIMINATOR 900 - DEMONSTRATION HOOD

Demonstration Hood - Three Windows for Optimum Viewing



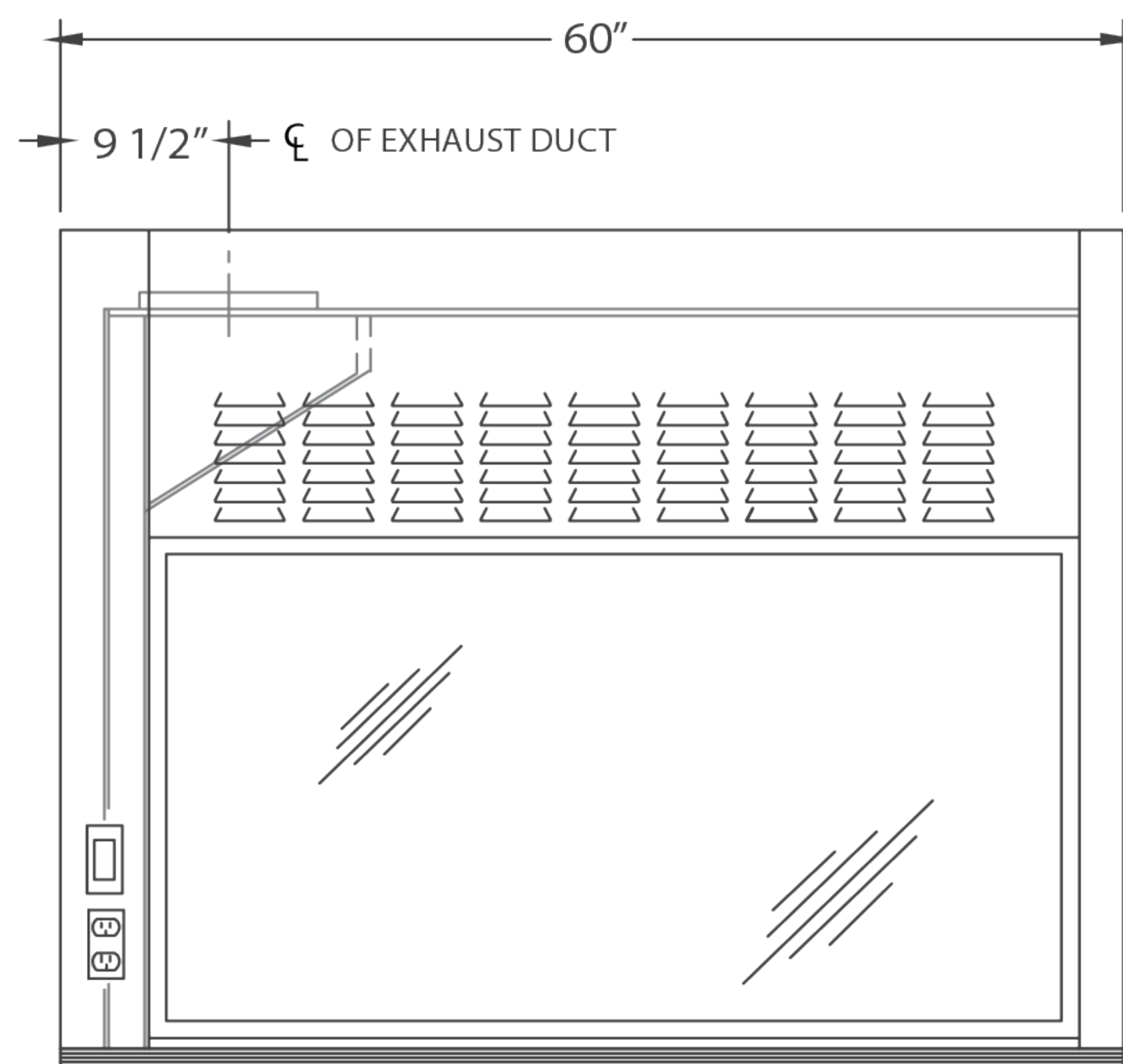
- Powder coat finish
- Full frame construction
- U.L. listed poly resin liner
- LED light with bulbs
- Knock down capability
- Full-length finger lift
- Louvered front for by-pass
- 10" round S/S duct collar
- Sash interlock



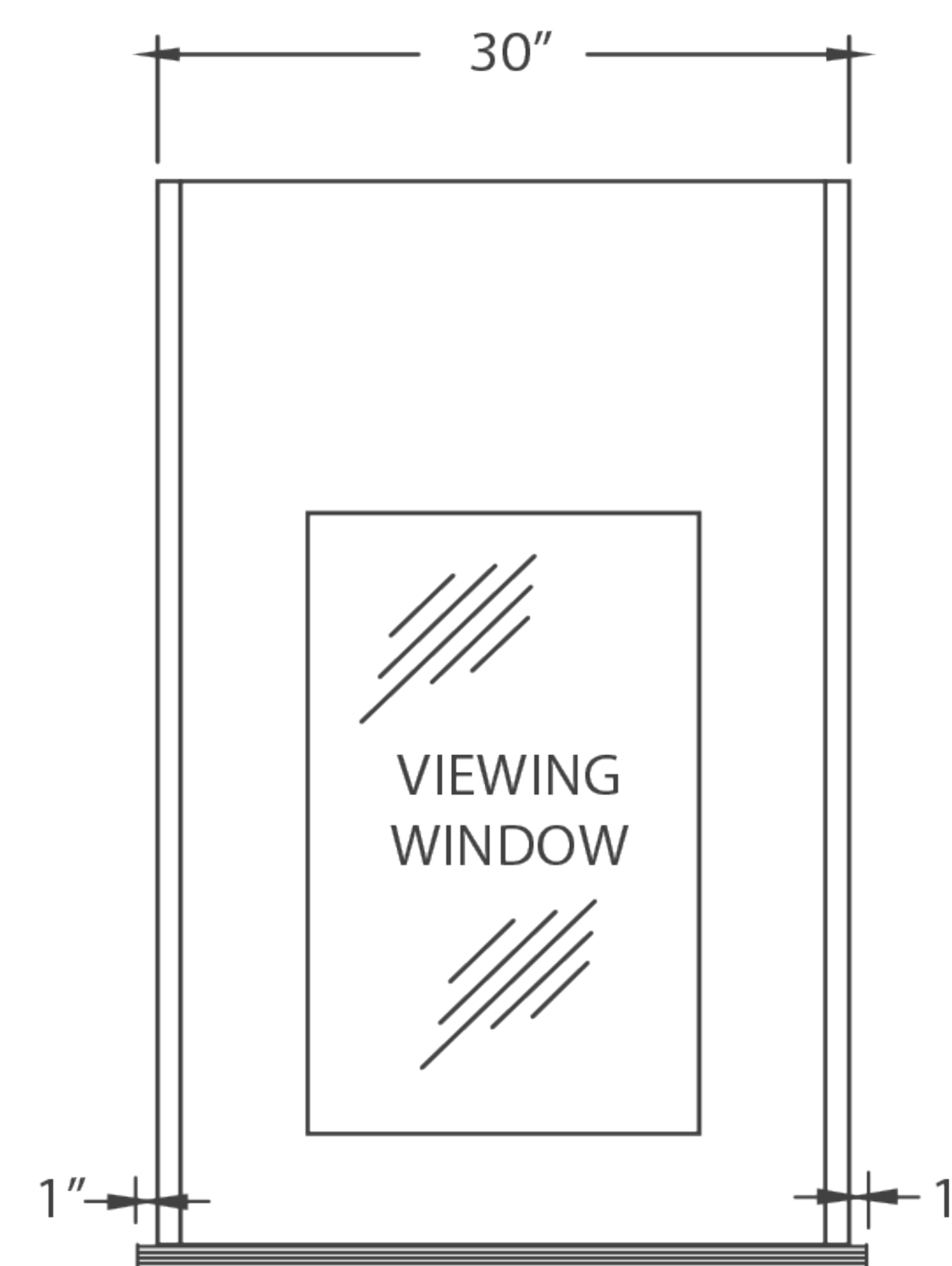
U.L. 1805
Classified

Part Number	Superstructure			Worktop			Hood Opening		CFM @ 29"*	CFM @ 18"*	SP	Blower Model #	Shipping Weight
	W	H	D	W	H	D	W	H					
EH-911-60	60"	48"	30"	60"	1-1/4"	32"	53"	26.5"***	1030	722	.75	BL-900-60	500

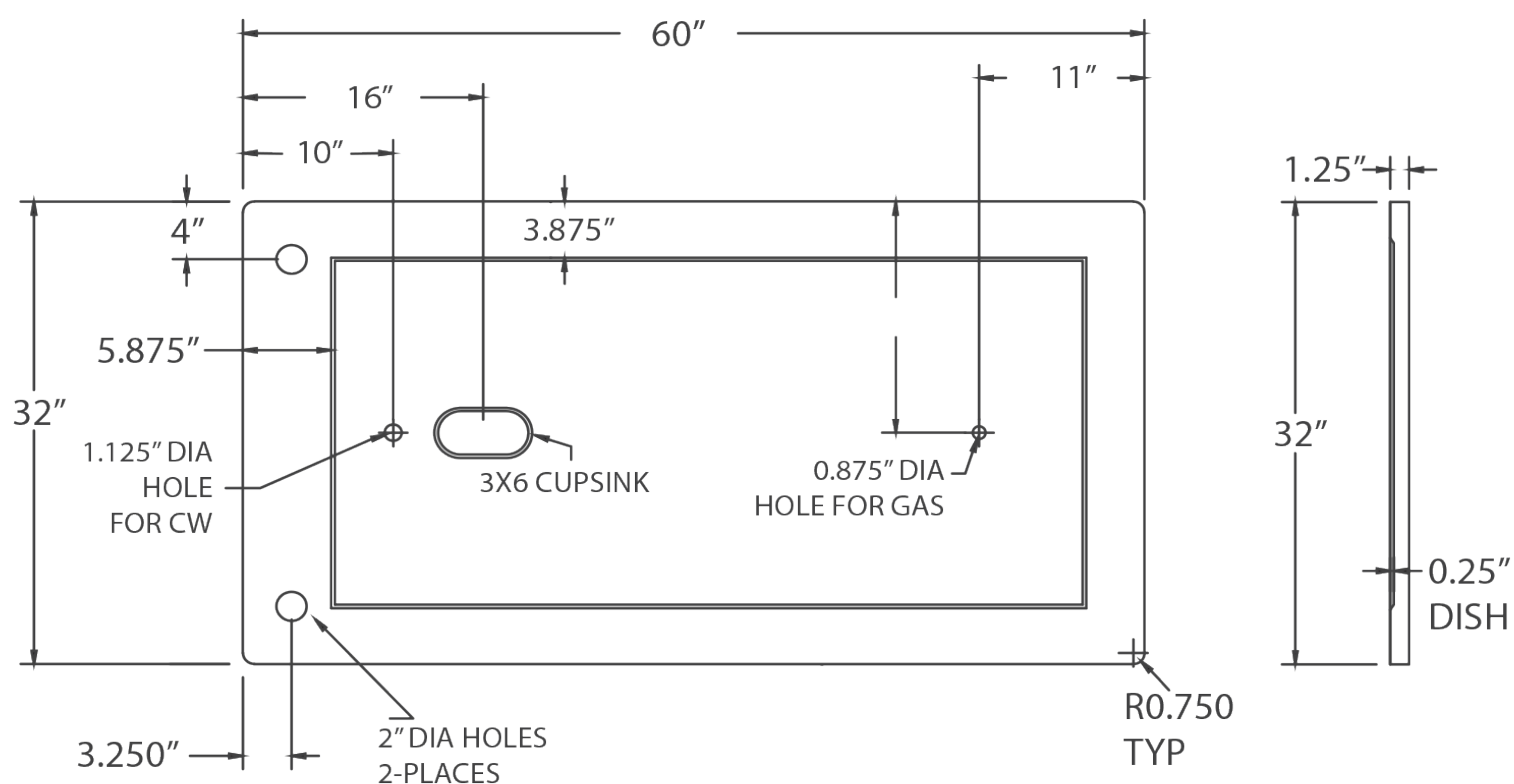
The Eliminator 900 Series



EH-911-60L (switches on left as shown)
EH-911-60R (switches on right; not shown)



To order without a viewing window, please add -OEW to the part number



ACCESSORIES

ITEM	AMS PT#	PAGE #	ITEM	AMS PT#	PAGE #
Ceiling Enclosures	CE	33	Pre-Wiring	PREW	
Plumbing Accessories		34	Sash Stops	SASHSTOP SS	38
Electrical Accessories		35	Stainless Steel Sash	SASH	38
Epoxy Tops	ET	39	Push Button Sash	PUSHBUTTON	38
Alarms	ALARM	32	Combination Sash	H&V	38
Base Cabinets	BC	36	Lattice Assembly	LATTICE	CALL
Blowers	BL	CALL	Auto Sash Return	AUTORETURN	38
Pre-Plumbing	PREP				