

# The Eliminator 500 Series

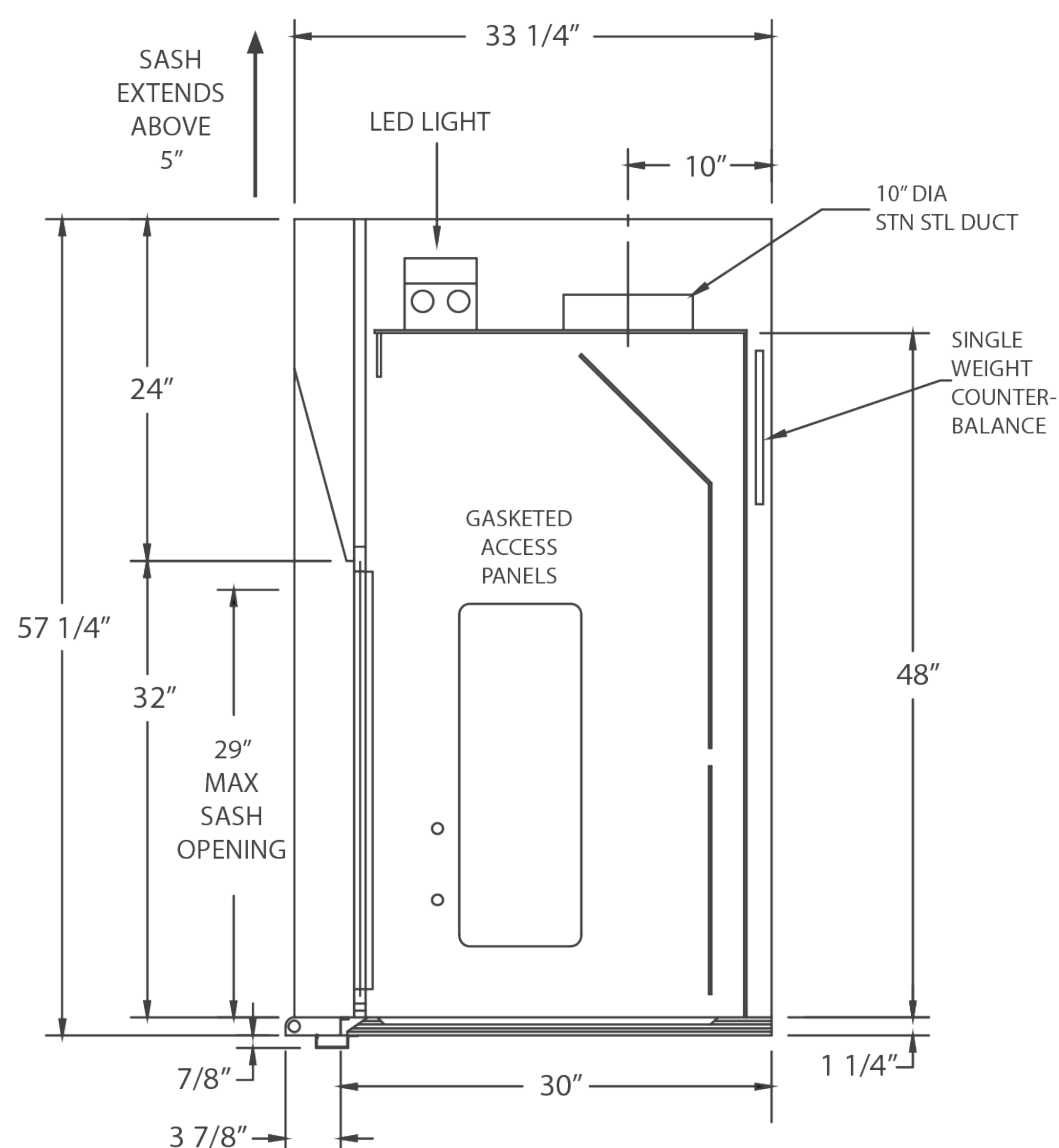
The Eliminator 500 series is an airfoil-type fume hood designed to meet ADA dimensional guidelines. A 45-degree angle around the fascia and a flush-mount radiused airfoil across the bottom result in minimized turbulence and increased performance. The ADA hood's airfoil flips back out of the way for cleanup. Under the airfoil is a containment trough to capture accidental spills that may flow over the dished work surface.

## ELIMINATOR 500 - ADA DESIGN

**ADA Design** - Meets ADA Dimensional Guidelines



- Powder coat finish
- Full frame construction
- Shaft drive sash
- U.L. listed poly resin liner
- LED light with bulb
- Flush-mount airfoil
- Knock down capability
- Full-length finger lift
- Louvered front for by-pass
- Painted steel trough assembly
- Sash stop
- 1/4 turn ball valves



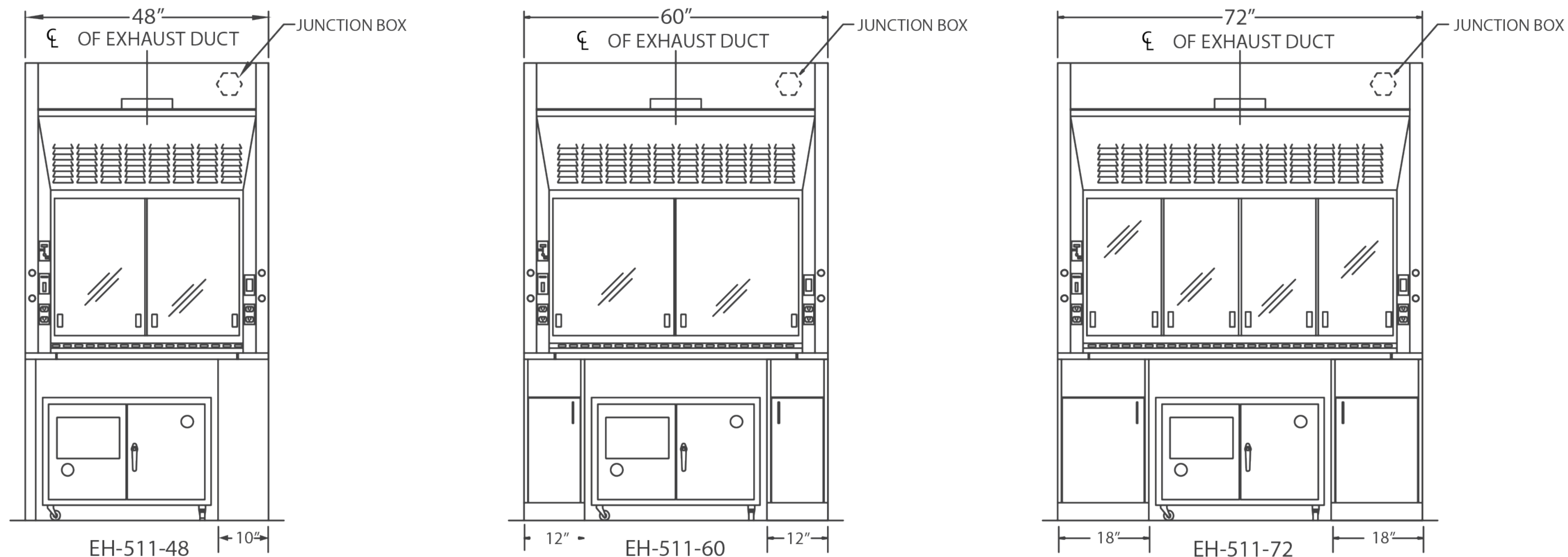
U.L. 1805  
Classified

Part Number	Superstructure			Worktop			Hood Opening		CFM @ 29"*	CFM @ 18"*	SP	Blower Model #	Shipping Weight
	W	H	D	W	H	D	W	H					
EH-511-48	48"	56"	33-1/4"	48"	1-1/4"	30"	38"	29"	833	521	.25	BL-500-48	395
EH-511-60	60"	56"	33-1/4"	60"	1-1/4"	30"	50"	29"	1100	688	.34	BL-500-60	450
EH-511-72	72"	56"	33-1/4"	72"	1-1/4"	30"	62"	29"	1367	854	.34	BL-500-72	525
EH-511-96	96"	56"	33-1/4"	96"	1-1/4"	30"	86"	29"	1900	1188	.40	BL-500-96	630

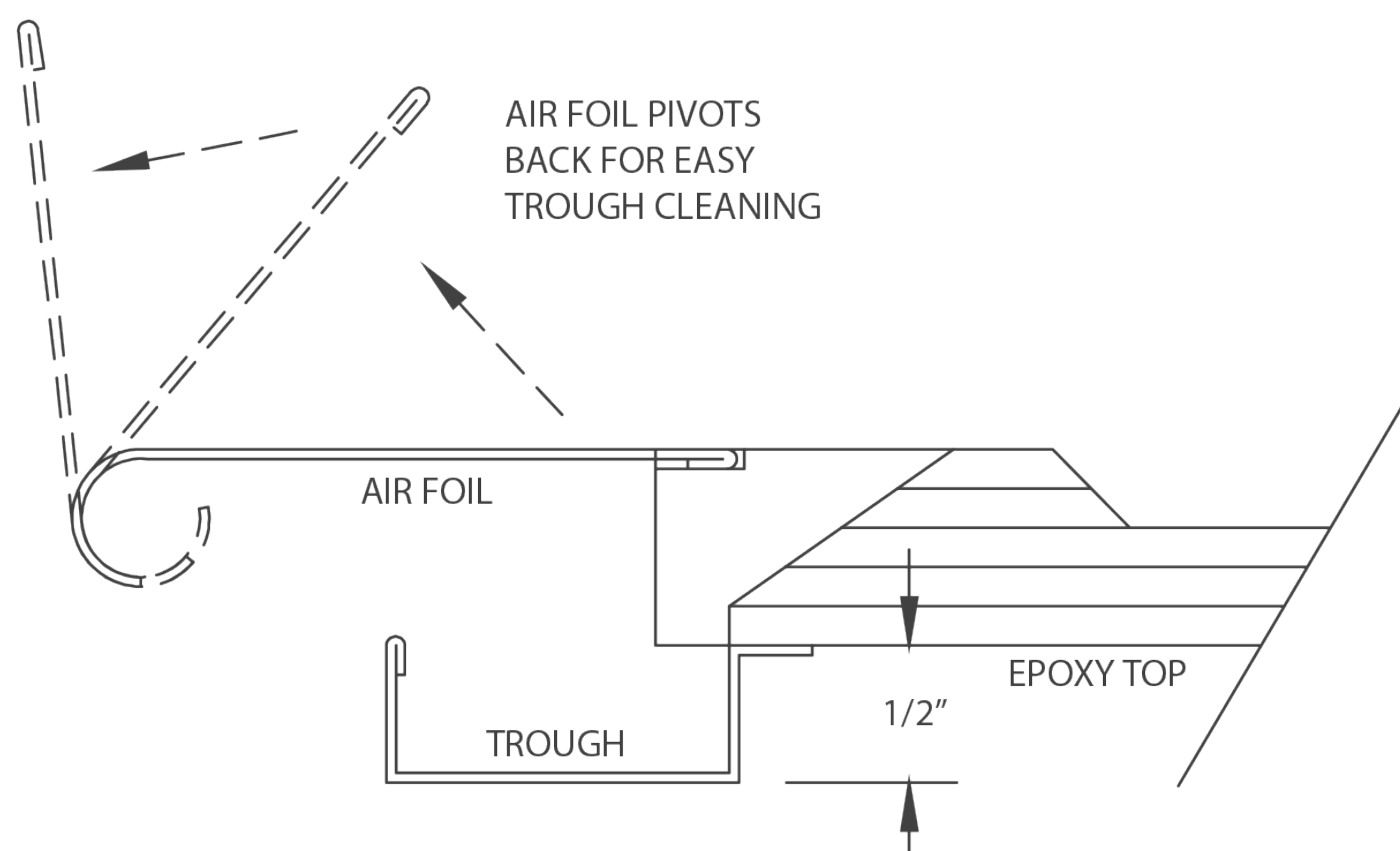
# The Eliminator 500 Series

The trough assembly is fabricated from chemical-resistant 16-gauge cold rolled steel. ADA kneespace-configured base cabinets, pictured at right, are available. See page 33 for cabinet options.

## ELIMINATOR 500 - ADA DESIGN



\* Optional combination sashes shown in drawings. Base frames and cabinets sold separately.



## ACCESSORIES

ITEM	AMS PT#	PAGE #	ITEM	AMS PT#	PAGE #
Ceiling Enclosures	CE	33	Pre-Wiring	PREW	
Plumbing Accessories		34	Chain and Sprocket Drive	CHNSPK	CALL
Electrical Accessories		35	Stainless Steel Sash	SS SASH	38
Epoxy Tops	ET	39	Stainless Steel Airfoil	SS AF	
Alarms	ALARM	32	Push Button Sash	PUSH BUTTON	38
Base Cabinets	BC	26	Lattice Assembly	LATTICE	CALL
Roll Out Base	ROB	CALL	Auto Sash Return	AUTO RETURN	38
Blowers	BL	CALL	LED Lights	LED	
Pre-Plumbing	PREP		Base Frames and Cabinets		36