

# The Eliminator 400 Series

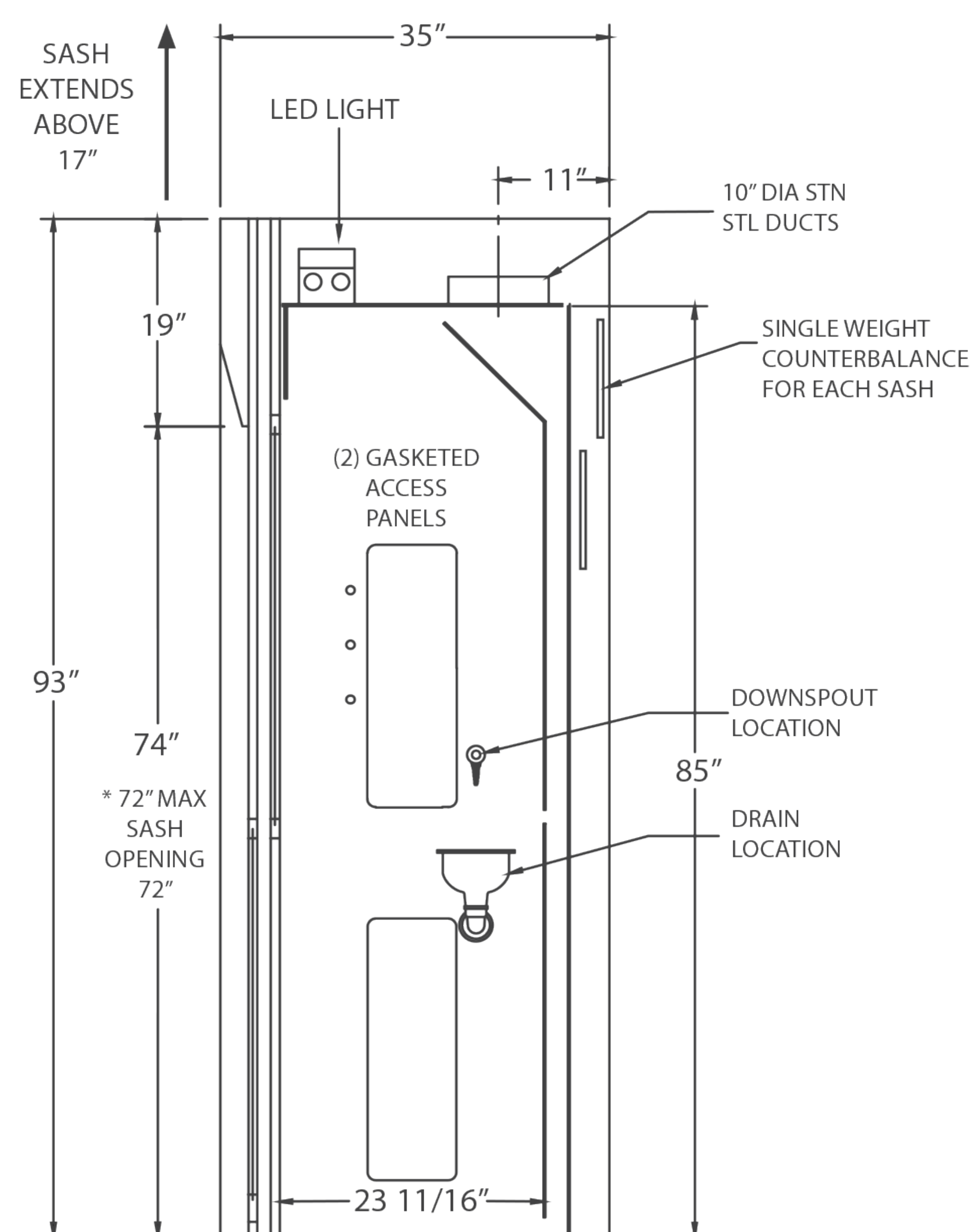
The Eliminator 400 series, with a double-hung sash configuration and 72" high opening, is designed to accommodate a large-apparatus application, up to 85" in height. Posts are 5" (127 mm) wide. Many heights and depths are available. Contact CSi to find the right size hood for your application. With the AMS exclusive knock-down ability, even a hood this big is a breeze to install, maintain, repair and move.

## ELIMINATOR 400 - FLOOR MOUNTED

**Floor Mounted Hoods** - For Those Tall Experiments



- Powder coat finish
- Full frame construction
- Shaft drive sash
- U.L. listed poly resin liner
- LED light with bulbs
- Knock down capability
- Full-length finger lift
- Louvered front for by-pass

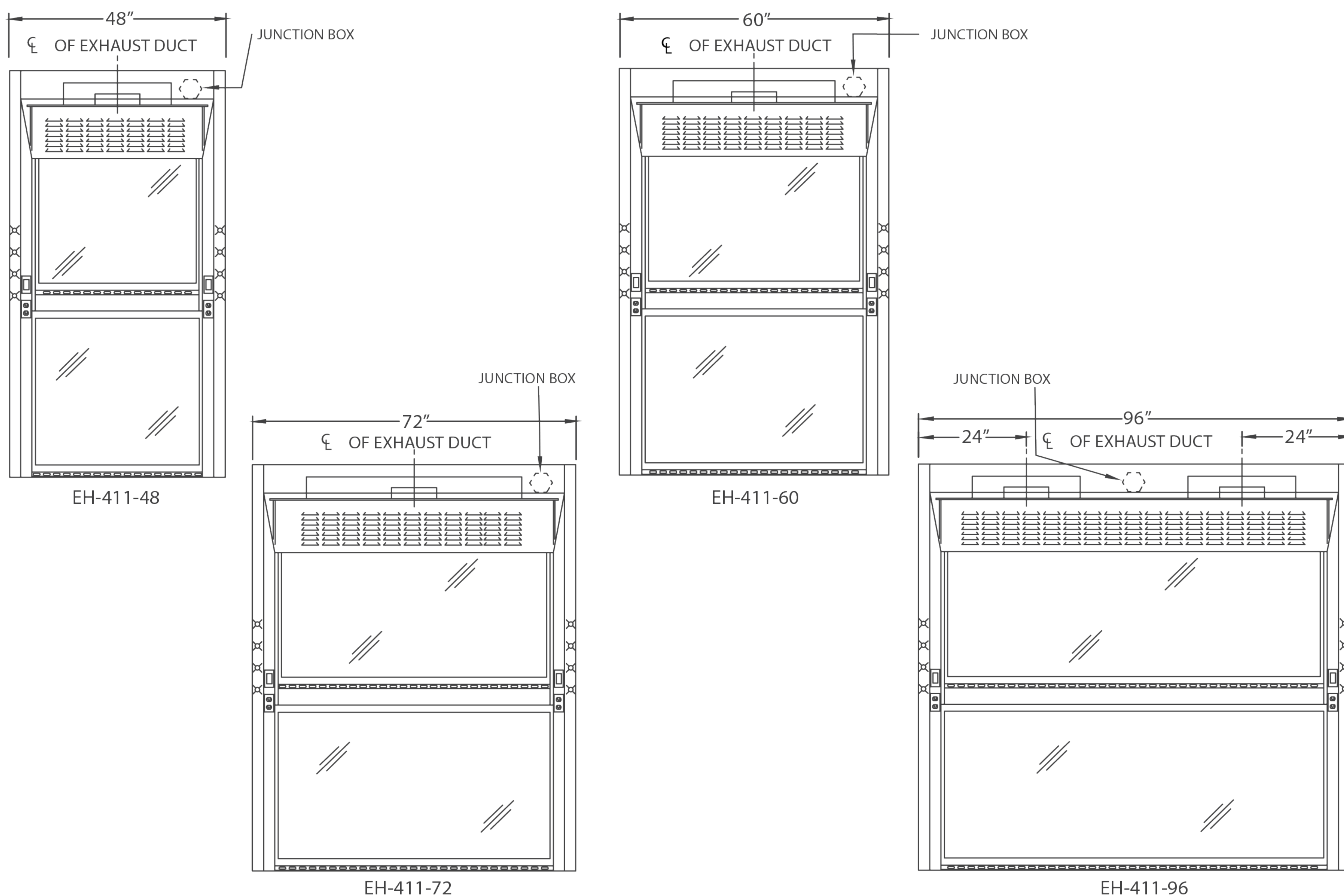


U.L. 1805  
Classified

Part Number	Superstructure			Hood Opening		CFM @ 18"*	CFM @ 36"*	CFM @ 72"*	SP	Blower Model #	Approx. Shipping Weight
	W	H	D	W	H						
EH-411-48	48"	93"	35"	38"	72"	445	990	1979	.25	BL-400-48	560
EH-411-60	60"	93"	35"	50"	72"	653	1306	2613	.34	BL-400-60	675
EH-411-72	72"	93"	35"	62"	72"	812	1623	3246	.50	BL-400-72	790
EH-411-96	96"	93"	35"	86"	72"	1128	2256	4513	.34	BL-400-96	1025
EH-411-120	120"	93"	35"	108"	72"	1444	2889	5780	.58	BL-400-120	2500



# The Eliminator 400 Series



## ACCESSORIES

ITEM	AMS PT#	PAGE #	ITEM	AMS PT#	PAGE #
Ceiling Enclosures	CE	33	Sash Stops	SASHSTOP	38
Plumbing Accessories		34	Chain and Sprocket Drive	CHNSPK	CALL
Electrical Accessories		35	Stainless Steel Sash	SS SASH	38
Alarms	ALARM	32	Horizontal Hanging Doors	HHD	38
Blowers	BL	CALL	Combination Sash	H&V	38
Pre-Plumbing	PREP		Lattice Assembly	LATTICE	CALL
Pre-Wiring	PREW		SS Ramp	RAMP	CALL