

The Eliminator 100 Series

The EH-100 series airfoil fume hood features a 45-degree angle around the fascia and a flush-mount radiused airfoil across the bottom, which results in minimized turbulence and increased performance. Like the exterior of the hood, the airfoil is made from chemical-resistant, powder-coated, 16-gauge cold rolled steel. A stainless steel airfoil is available as an option. Posts are 5" (127 mm) wide. Five standard sizes offer design flexibility, or we'll customize to your specific needs.

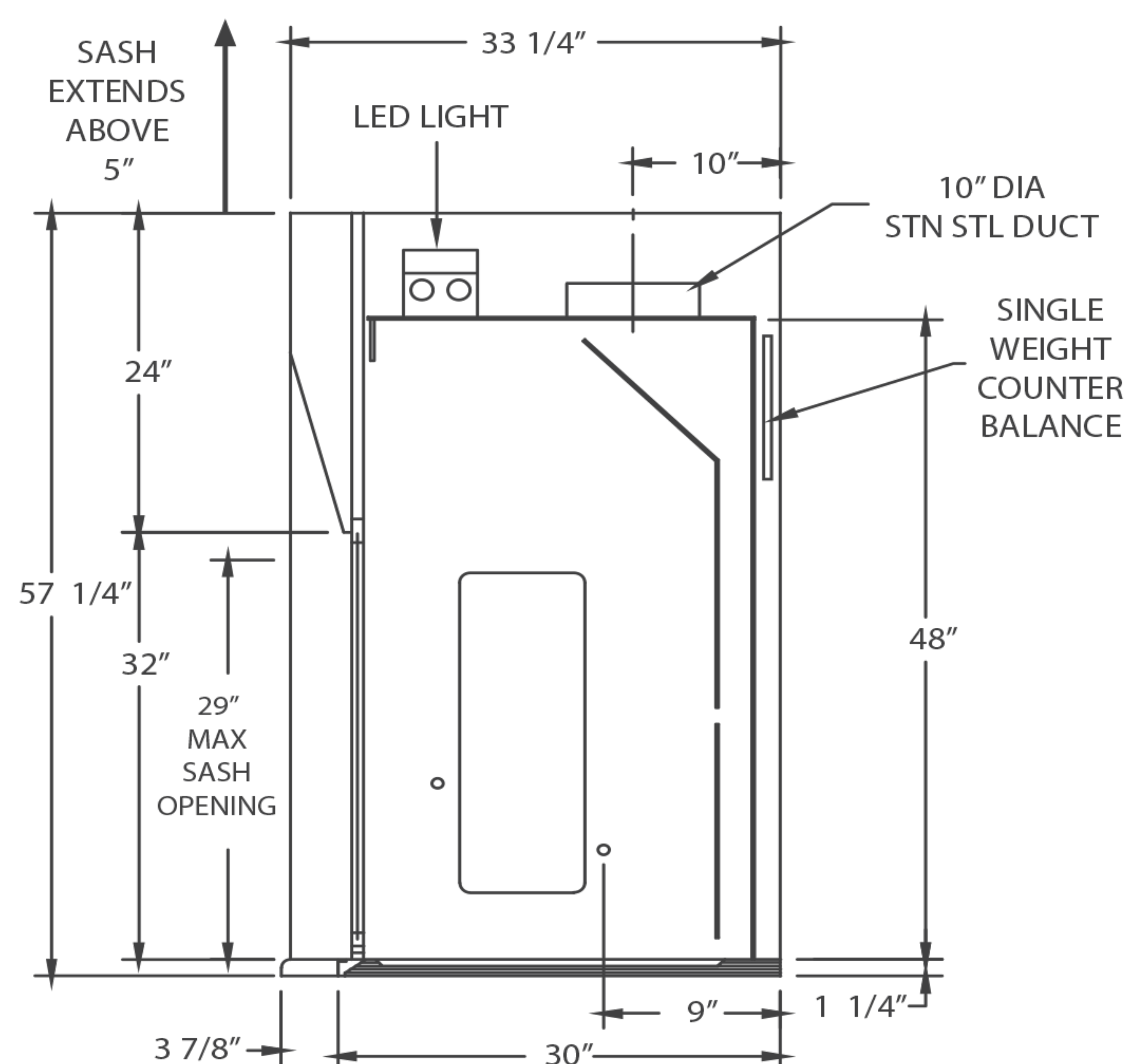
ELIMINATOR 100 SERIES - AIRFOIL FUME HOOD

Airfoil Fume Hood - Minimized Turbulence, Increased Performance



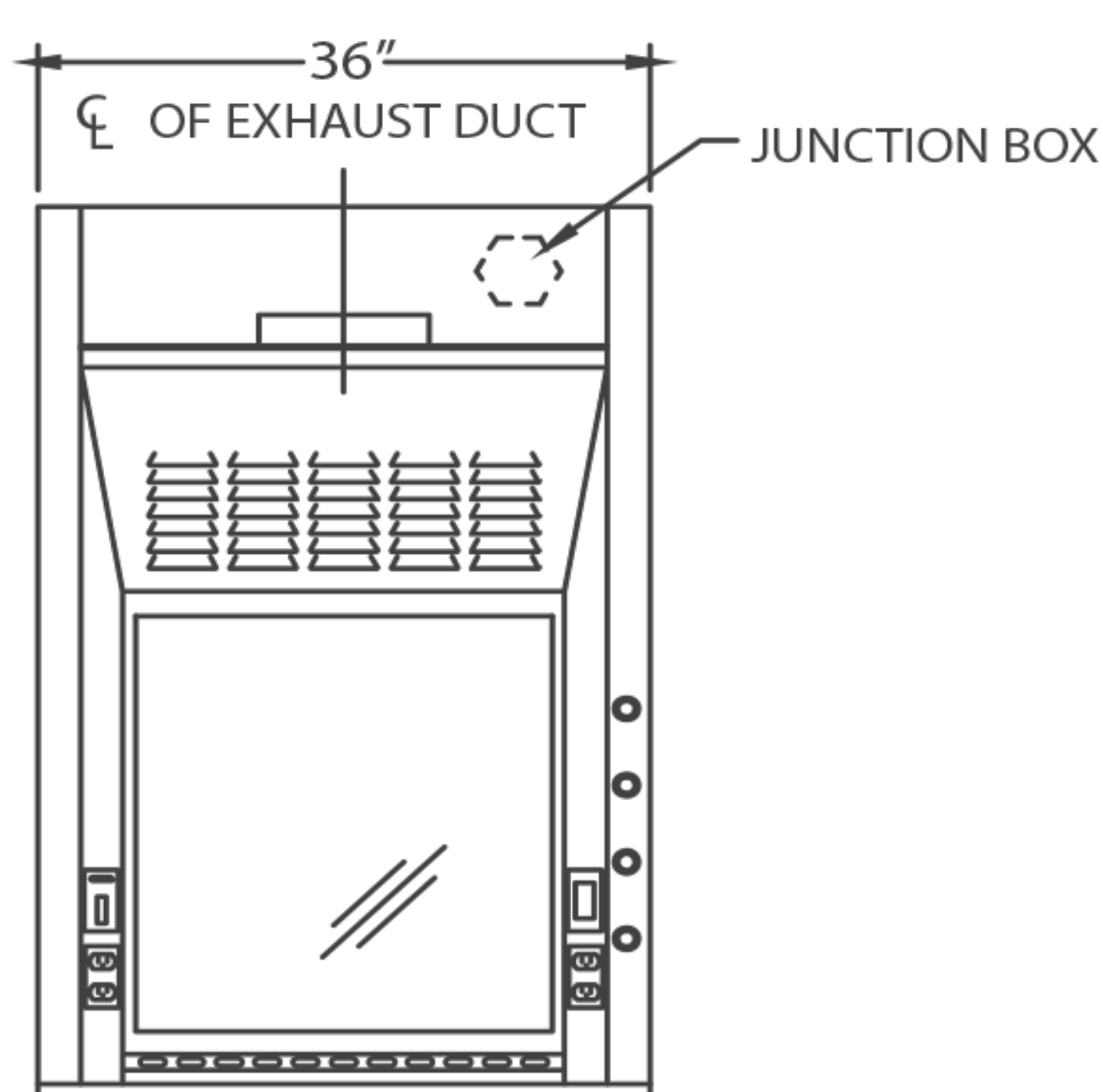
U.L. 1805
Classified

- Powder coat finish
- Full frame construction
- Shaft drive sash
- U.L. listed poly resin liner
- Flush-mount airfoil
- Knock down capability
- LED light with bulbs
- Full-length finger lift
- Sash sweep
- 25.5" interior working depth

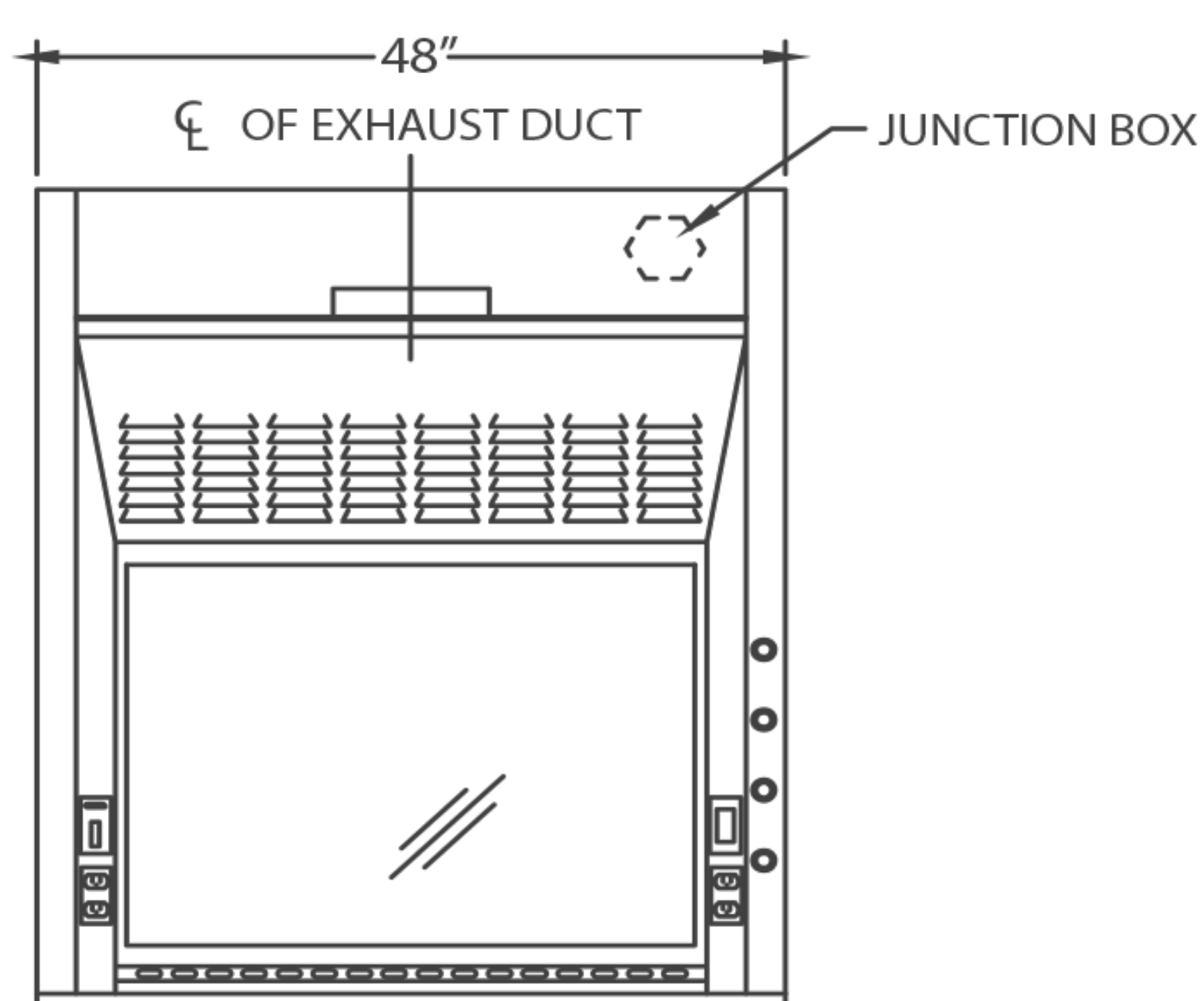


Part Number	Superstructure			Worktop			Hood Opening		CFM @ 29"*	CFM @ 18"*	SP	Blower Model #	Shipping Weight
	W	H	D	W	H	D	W	H					
EH-111-36	36"	56"	33-1/4"	36"	1-1/4"	30"	26"	29"	567	354	.25	BL-100-36	320
EH-111-48	48"	56"	33-1/4"	48"	1-1/4"	30"	38"	29"	833	521	.25	BL-100-48	385
EH-111-60	60"	56"	33-1/4"	60"	1-1/4"	30"	50"	29"	1100	688	.34	BL-100-60	450
EH-111-72	72"	56"	33-1/4"	72"	1-1/4"	30"	62"	29"	1367	854	.34	BL-100-72	510
EH-111-96	96"	56"	33-1/4"	96"	1-1/4"	30"	86"	29"	1900	1188	.40	BL-100-96	630

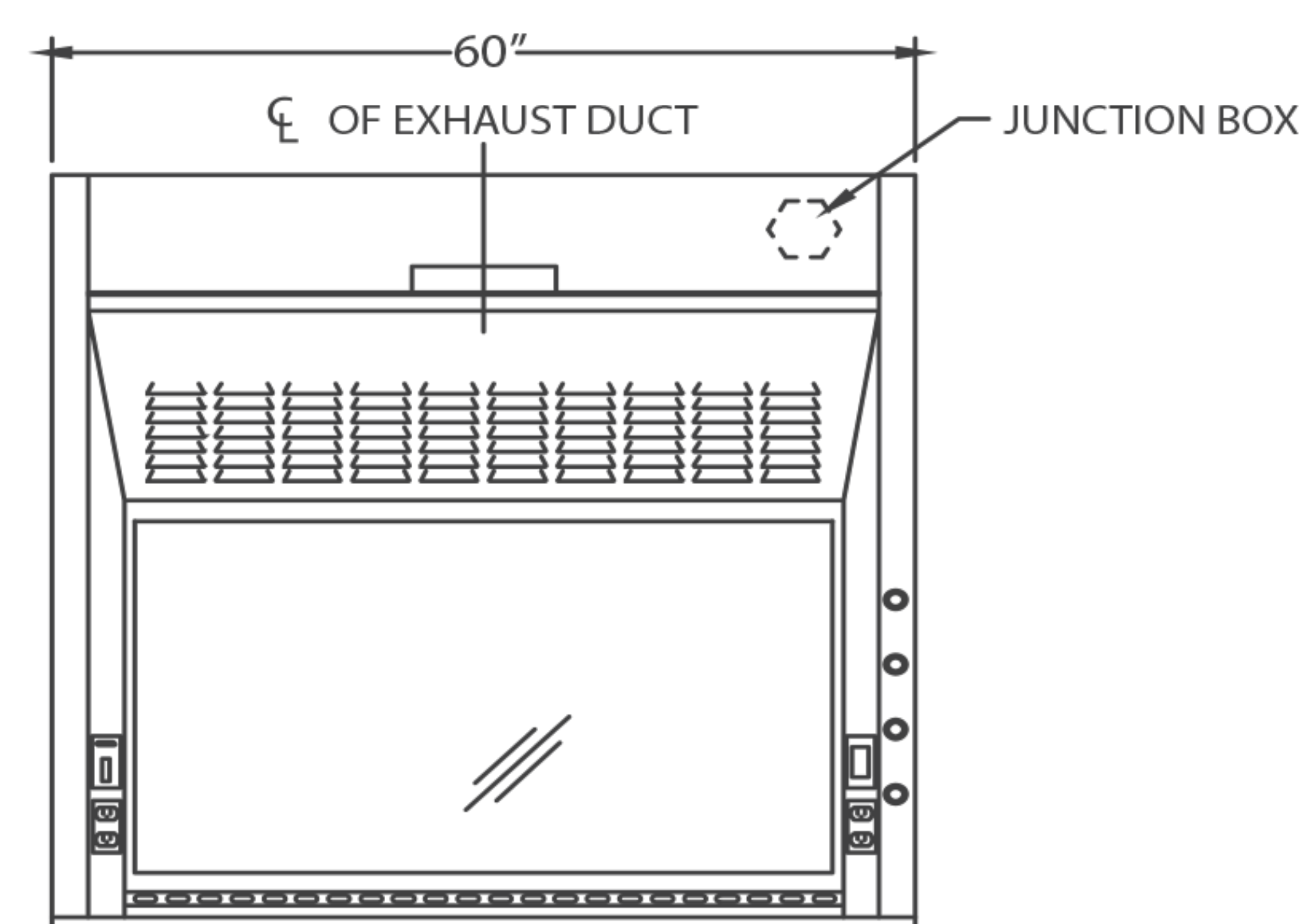
The Eliminator 100 Series



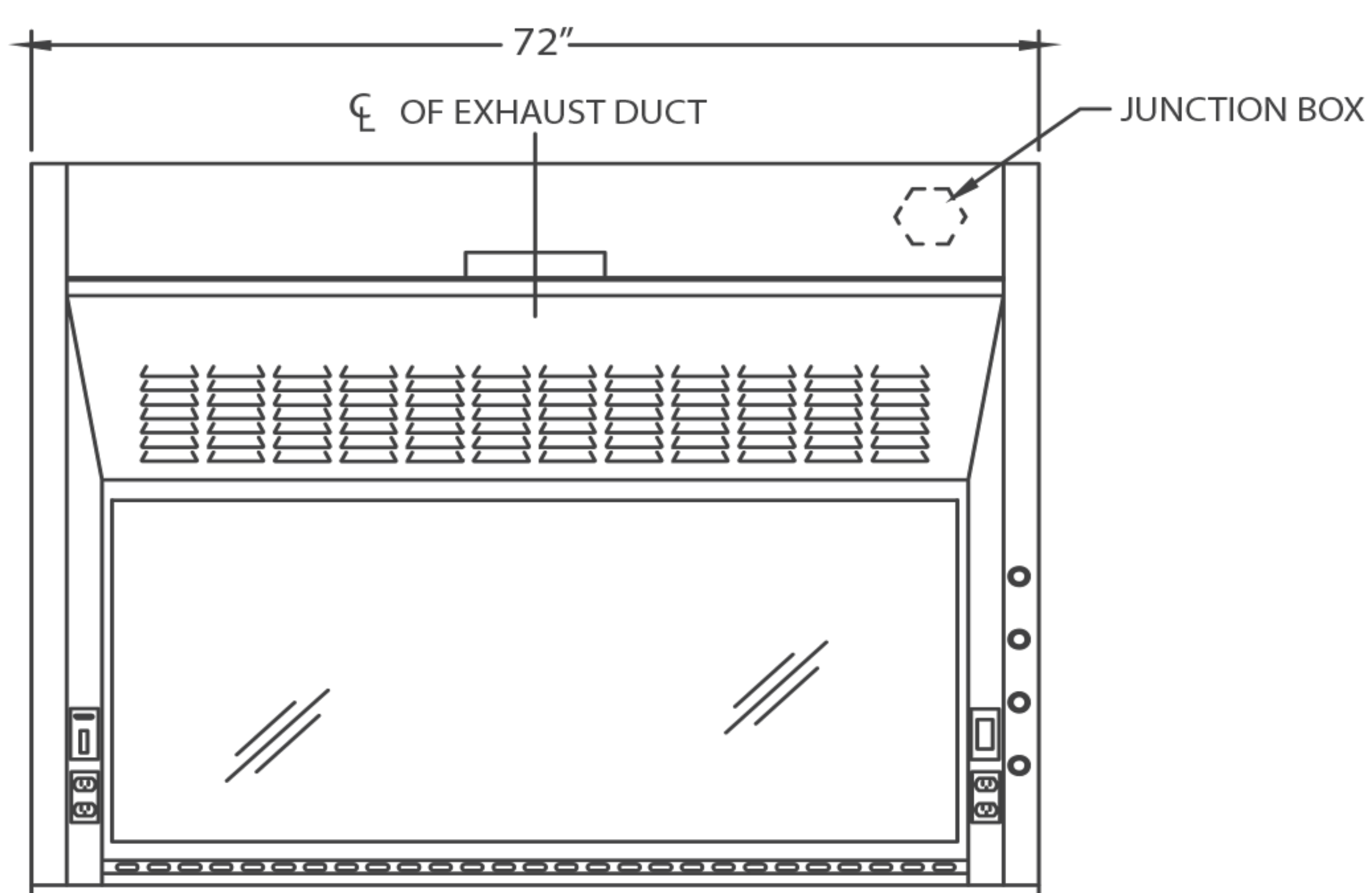
EH-111-36



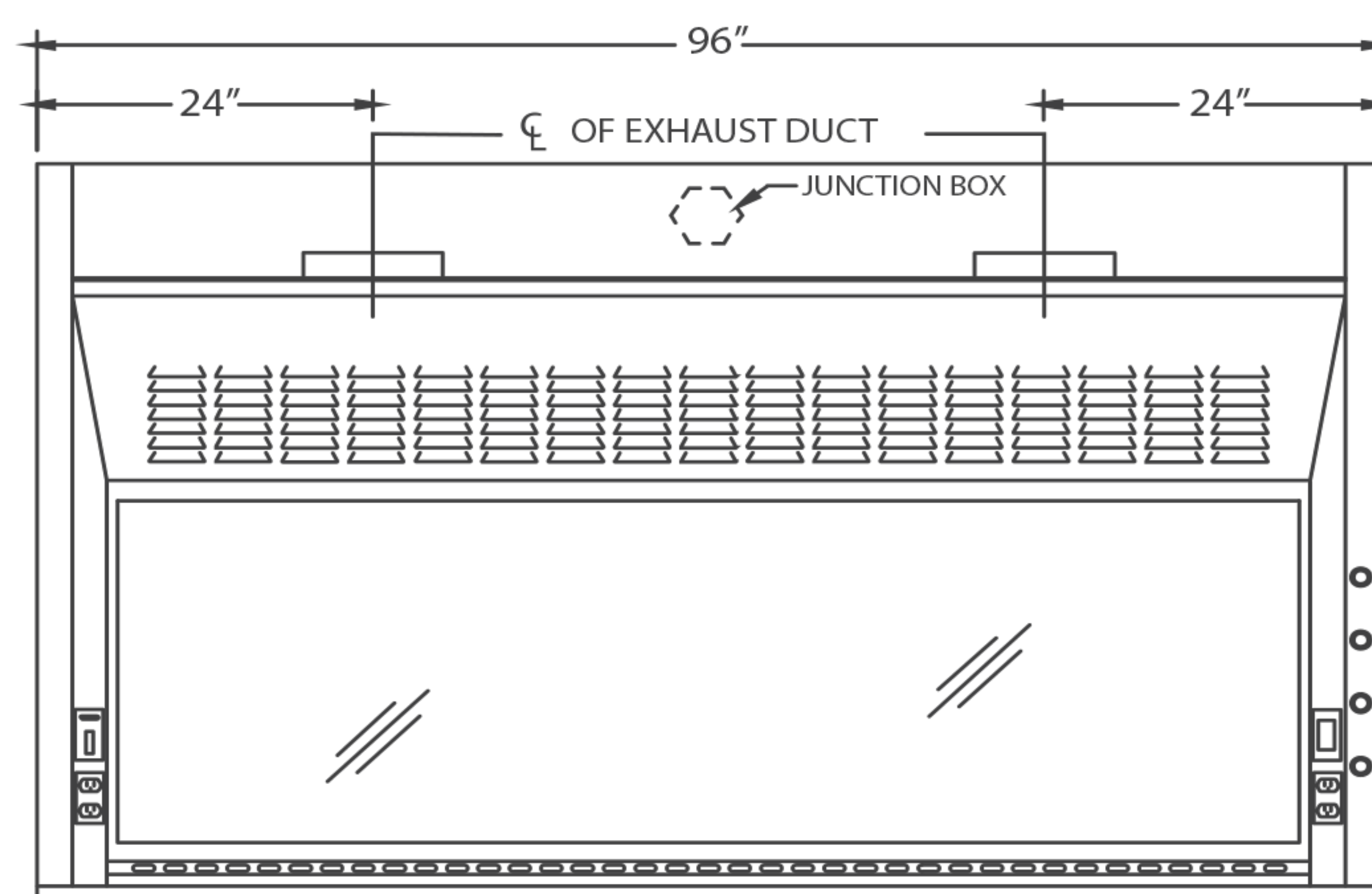
EH-111-48



EH-111-60



EH-111-72



EH-111-96

ACCESSORIES

ITEM	AMS PT#	PAGE #	ITEM	AMS PT#	PAGE #
Ceiling Enclosures	CE	33	Sash Stops	SASHSTOP	38
Plumbing Accessories		34	Chain and Sprocket Drive	CHNSPK	CALL
Electrical Accessories		35	Stainless Steel Sash	SS SASH	38
Epoxy Tops	ET	39	Stainless Steel Airfoil	SS AF	
Alarms	ALARM	32	Push Button Sash	PUSH BUTTON	38
Base Cabinets	BC	26	Combination Sash	H&V	38
Blowers	BL	CALL	Lattice Assembly	LATTICE	CALL
Pre-Plumbing	PREP		Auto Sash Return	AUTO RETURN	38
Pre-Wiring	PREW				