

The Eliminator 700 SERIES: Perchloric Acid Hood

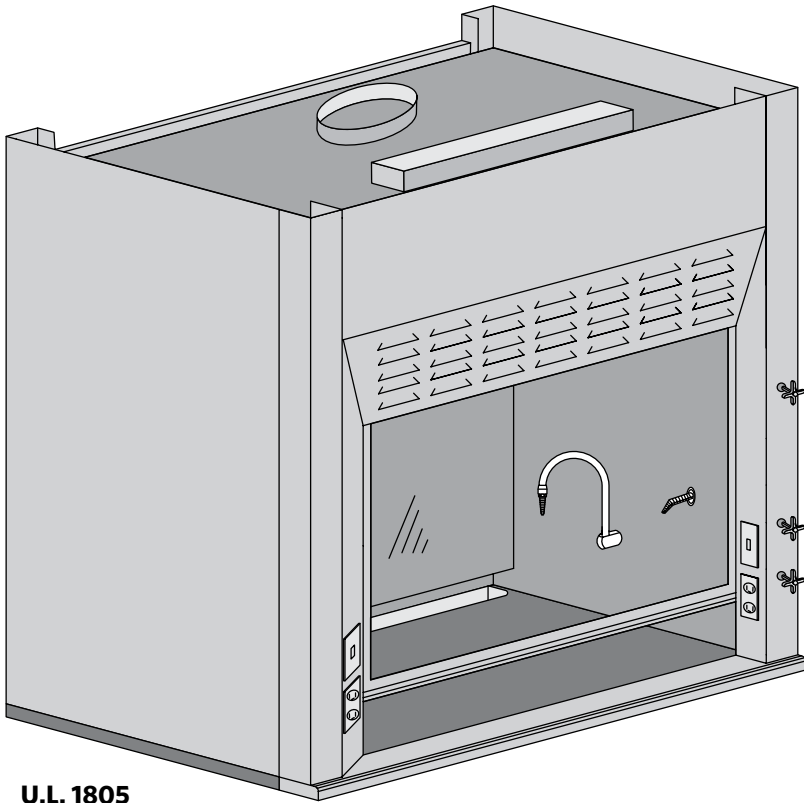
Safe Handling of Perchloric Acid

The Eliminator 700 Perchloric Acid Hood has the same aerodynamic design as the 100 series, with a 45-degree angle around the fascia and a flush-mount radiused airfoil across the bottom to minimize turbulence and provide increased performance.

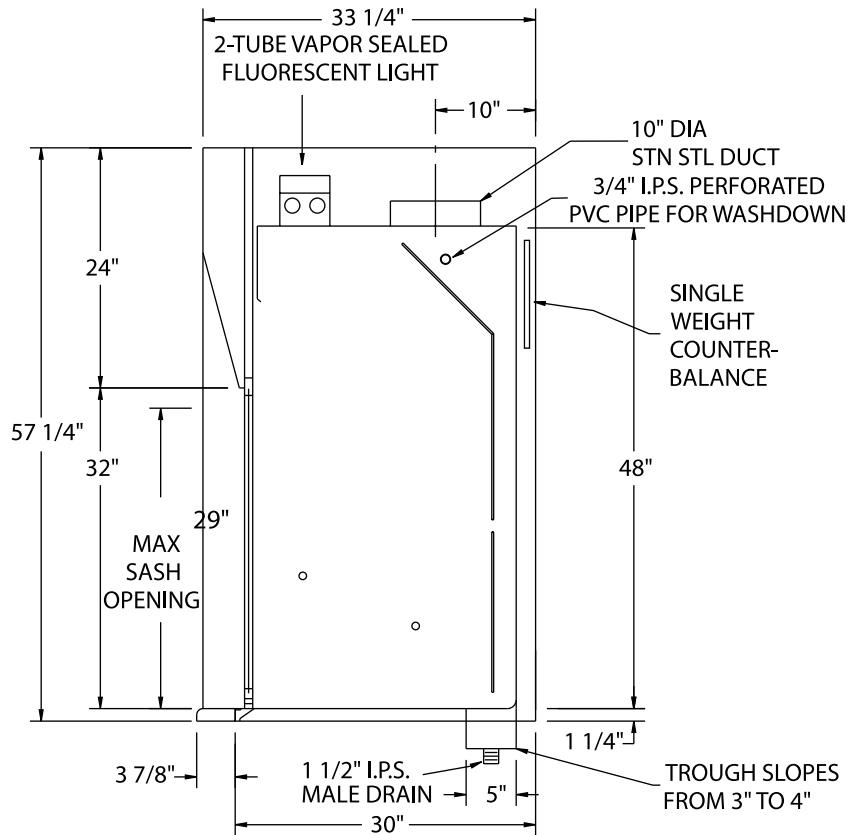
This hard-working hood also features a built-in trough to capture runoff in washdown procedures where perchloric acid is in use. In addition, there is a manual washdown feature for the areas behind the baffles as well as the duct-collar areas.

The interior is fabricated of type 316 stainless steel, integrally welded to a 316 stainless steel work surface, then buffed and polished to a #4 finish. The top is 1-1/4" with a 1/4" dish to retain spills. The airfoil and sash are also made of 316 stainless steel.

The EH-700 is built tough to withstand the daily use of perchloric acid, while keeping the workplace safe.

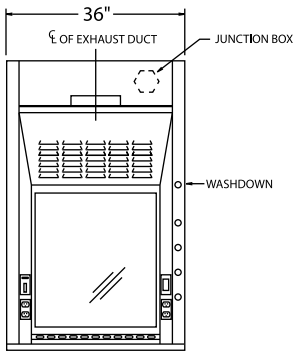


**U.L. 1805
Classified**

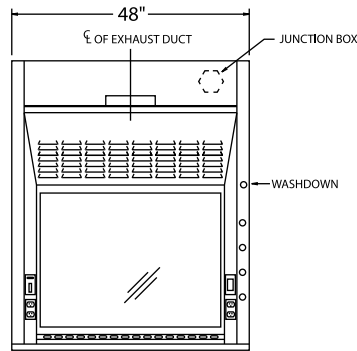


standard features

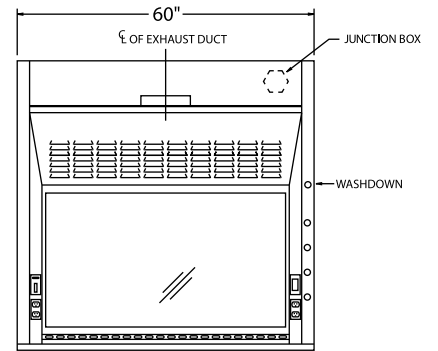
- Powder coat finish
- Full frame construction
- Shaft drive sash
- T-8 fluorescent light with bulbs
- Flush-mount airfoil
- Full-length finger lift
- Louvered front for by-pass
- 316 stainless steel one-piece integral work surface and liner
- Built-in trough
- Manual washdown
- Stainless steel sash
- Stainless steel airfoil



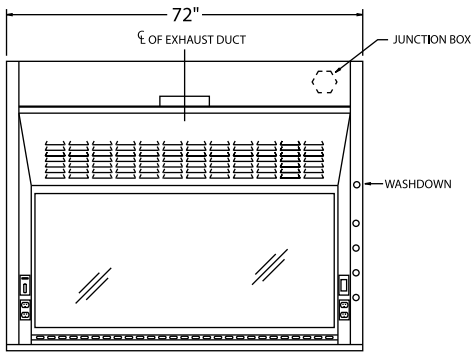
EH-716-36



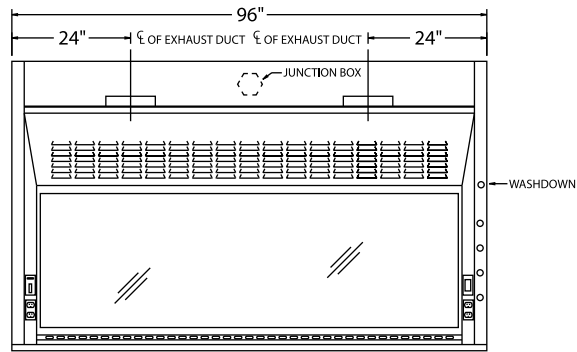
EH-716-48



EH-716-60



EH-716-72



EH-716-96

Part Number	Superstructure			Integral Worktop			Hood Opening		CFM @ 29"*	CFM @ 18"*	SP	Blower Model #	Shipping Weight
	W	H	D	W	H	D	W	H					
EH-716-36	36"	56"	33-1/4"	36"	1-1/4"	30"	26"	29"	567	354	.25	BL-700-36	190
EH-716-48	48"	56"	33-1/4"	48"	1-1/4"	30"	38"	29"	833	521	.33	BL-700-48	560
EH-716-60	60"	56"	33-1/4"	60"	1-1/4"	30"	50"	29"	1100	688	.34	BL-700-60	675
EH-716-72	72"	56"	33-1/4"	72"	1-1/4"	30"	62"	29"	1367	854	.34	BL-700-72	790
EH-716-96	96"	56"	33-1/4"	96"	1-1/4"	30"	86"	29"	1900	1188	.40	BL-700-96	1025

*Height of open sash; CFM calculated at 100 FPM

accessories

ITEM	AMS PT#	PAGE #
Ceiling Enclosures	CE	33
Plumbing Accessories		34
Electrical Accessories		35
Alarms	ALARM	32
Base Cabinets	BC	36
Blowers	BL	Call
Pre-Plumbing	PREP	

ITEM	AMS PT#	PAGE #
Pre-Wiring	PREW	
Sash Stops	SASHSTOP	38
Chain and Sprocket Drive	CHNSPK	Call
Push Button Sash	PUSH BUTTON	38
Combination Sash	H&V	38
Automatic Sash Return	AUTO RETURN	38
Lattice Assembly	LATTICE	Call

Air Monitor Alarms



AFA 500 Mk3 Fume Hood Airflow Monitor Specifications

Alarm range	30-400 fpm (.15 -2.0 m/s)
Accuracy	Face velocity accuracy +/- 10%
Airflow sensor	On-board or remote sensor
Calibration	Single or 2-point (Installer selectable)
Low Air Alarm delay	Fixed 5 secs
Relay output	1 --(Low Air alarm)
Analog output	Not available
Relay input	2 - Night setback and sash high
Comm. Port	RS232 - Can be connected via serial interface to LAN network (Full hood performance software reporting available)
Sash high indication	Yes - using a Micro switch or Proximity switch input With repeat alarm feature factory set to 5 min. (Can be adjusted via laptop up to 30 mins)
Night setback	Yes - using a relay input
External alarm indication	Not available
Power Requirement	Input—120VAC, 60Hz Output—15VDC, 500ma
Display—visual	LEDs: red, alarm; green, normal
Alarm indication	Red LED and audible alarm
Horn silence	Yes - temporary
Mounting	Semi Flush
Operating temperature	55-86 F (13-30 C)
Storage temperature	-40-150 F (-40-65 C)
Instrument dimensions	Instrument Case: 5.2" H x 3.19" W x 1.97" D (132mm H x 81mm W x 50mm D)
Agency listings	UL and CE



AFA 1000/1 Mk3 Fume Hood Airflow Monitor Specifications

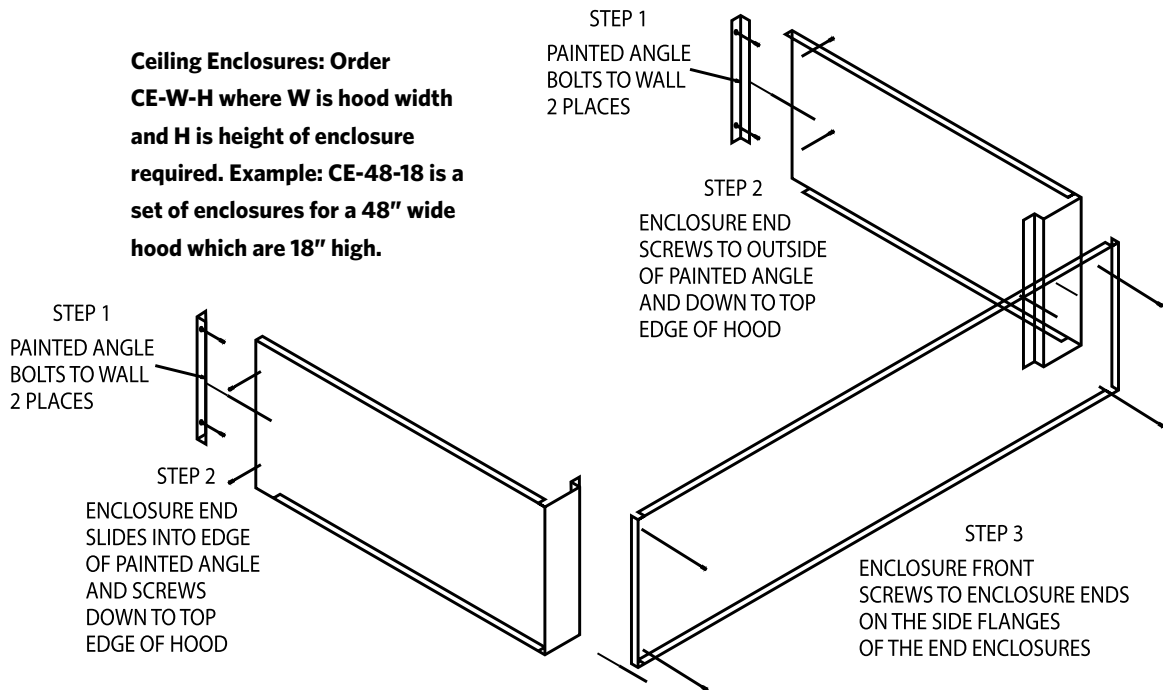
Display range	0-999 fpm (0-5.0 m/s)
Alarm range	0-999 fpm (0-5.0 m/s)
Field set-up	2-point velocity calibration (with on-screen instructions)
Accuracy	Sensor / Display resolution 1 fpm Face velocity accuracy +/-10%
Alarm delays	User configurable - 0 to 60secs
Relay output	4 (1 on board - 3 on optional plug in relay interface unit)
Analog output	0-10V output, directly proportional to velocity (Optional)
Relay input	3
Comm. Port	RS232 - Can be connected via Serial interface to LAN network (Full software available)
Sash high indication	Yes, with separate plug-in connection
Night setback	Yes
External alarm indication	Yes
Power Requirement	Input-120VAC, 60Hz Output-15VDC, 500ma
Units	English and Metric (user selectable)
Display—visual	Analog bar graph or Fault Timeline LEDs: red, alarm; yellow, caution; green, normal Digital display of velocity reading (can be turned off)
Alarm indication	Red LED and audible alarm (to a certain sound spec)
Horn silence	Yes (temporary / permanent/automatic depending on type of alarm or external input)
Mounting	Semi Flush
Operating temperature	55-86 F (13-30 C)
Storage temperature	-40-150 F (-40-65 C)
Instrument dimensions	Instrument Case: 5.2" H x 3.19" W x 1.14" D (132mm H x 81mm W x 29mm D)
Agency listings	UL and CE

Ceiling Enclosures and Finished Backs

Air Master Systems Corporation offers ceiling enclosures and finished backs to provide a professional, finished design in any setting. Ceiling enclosures and finished backs are fabricated of cold rolled steel and finished to match the fume hood superstructure.

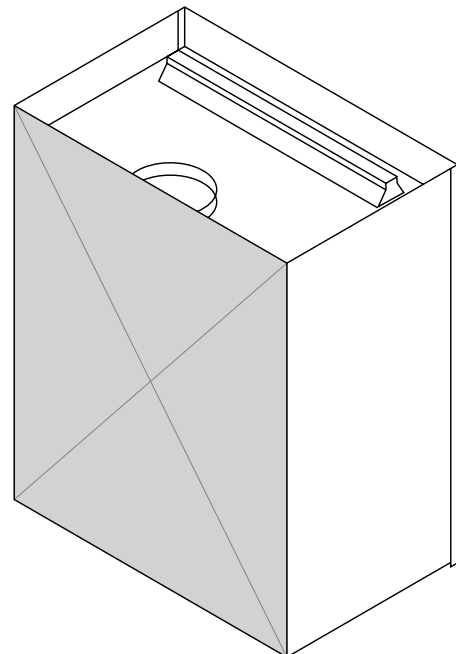
The ceiling enclosures are available in two types: for standard fume hoods and also for those fume hoods utilizing the optional Air Chamber. Both enclosures conceal and protect the hood ductwork, electrical conduit and other supply lines.

Ceiling Enclosures: Order CE-W-H where W is hood width and H is height of enclosure required. Example: CE-48-18 is a set of enclosures for a 48" wide hood which are 18" high.



Finished backs are used to close off the back of the fume hood, giving it a finished look when located in the center of a room.

**Finished Backs:
Order FINBACK-W where
W equals hood width.**

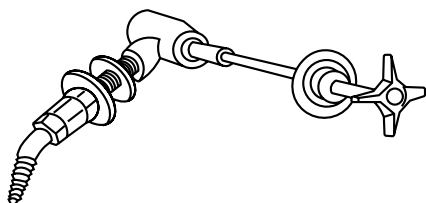


Plumbing Accessories

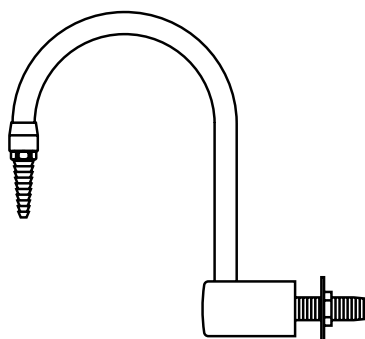
Description	Part #
Gas	FXTGAS
Air	FXTAIR
Vacuum	FXTVAC
Nitrogen	FXTNIT
Cold water	FXTCW

All Air Master Systems Corporation remote-operated fixtures come standard with four-prong handles, baked color-coded epoxy upper assemblies and control rods cut to length. Chrome and other styles are available upon request. Preplumbed services are 3/8"OD-1/4"ID polypropylene tubing for water, air and vacuum; 1/2"OD flexible stainless steel tubing for burning gas services.

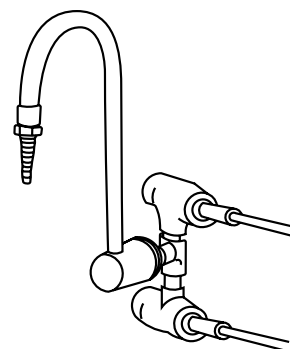
Others available upon request



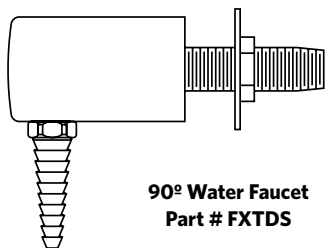
Remote Control Fixtures



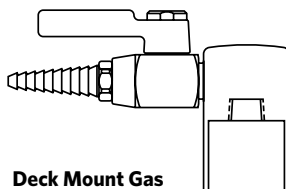
**Gooseneck Faucet
Part # FXTGN
Specify Hot or Cold**



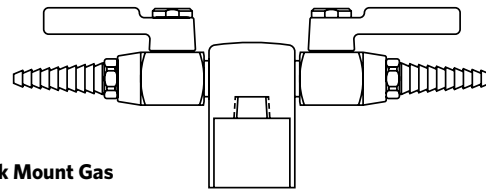
**Hot and Cold Water Mixing
Part # FXTCWM**



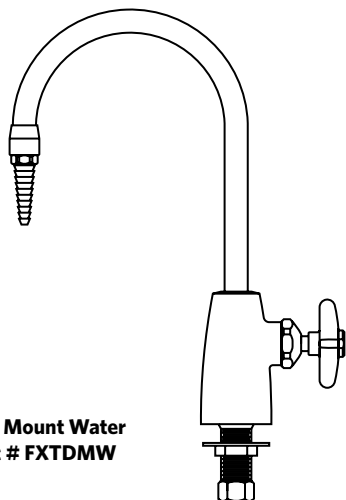
**90° Water Faucet
Part # FXTDS**



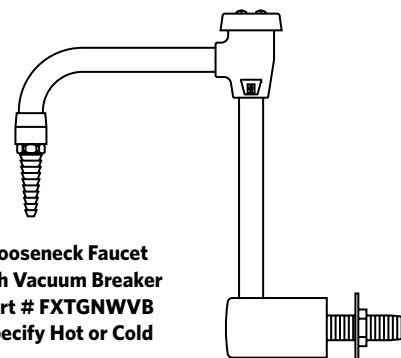
**Deck Mount Gas
Single Outlet
Part# FXTDMG1**



**Deck Mount Gas
Double Outlet
Part # FXTDMG2**

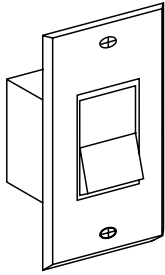


**Deck Mount Water
Part # FXTDMW**

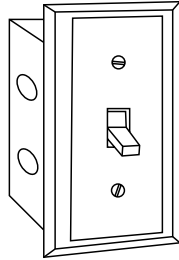


**Gooseneck Faucet
with Vacuum Breaker
Part # FXTGNWVB
Specify Hot or Cold**

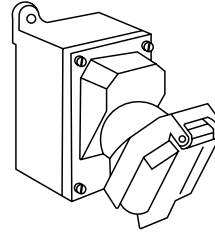
Electrical Accessories and Specifications



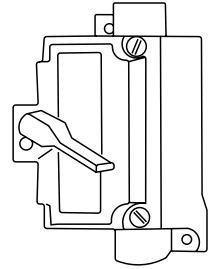
**Single Pole
15 Amp Light Switch
Standard Black Color
and Cover Plate
Part# LTSW**



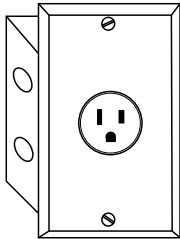
**Red Illuminated
Toggle Switch
with Black Cover Plate
Part# BLSW**



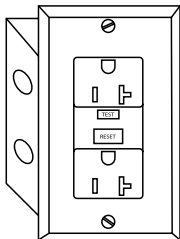
**Explosion Proof Outlet
Class 1, Group 1
Part# XPO**



**Explosion Proof Switch
Class 1, Group 1
Part# XSW**



**208 Volt, 20 Amp
Single Pole Receptacle
230, 277 or other
available upon request
Part# 208**



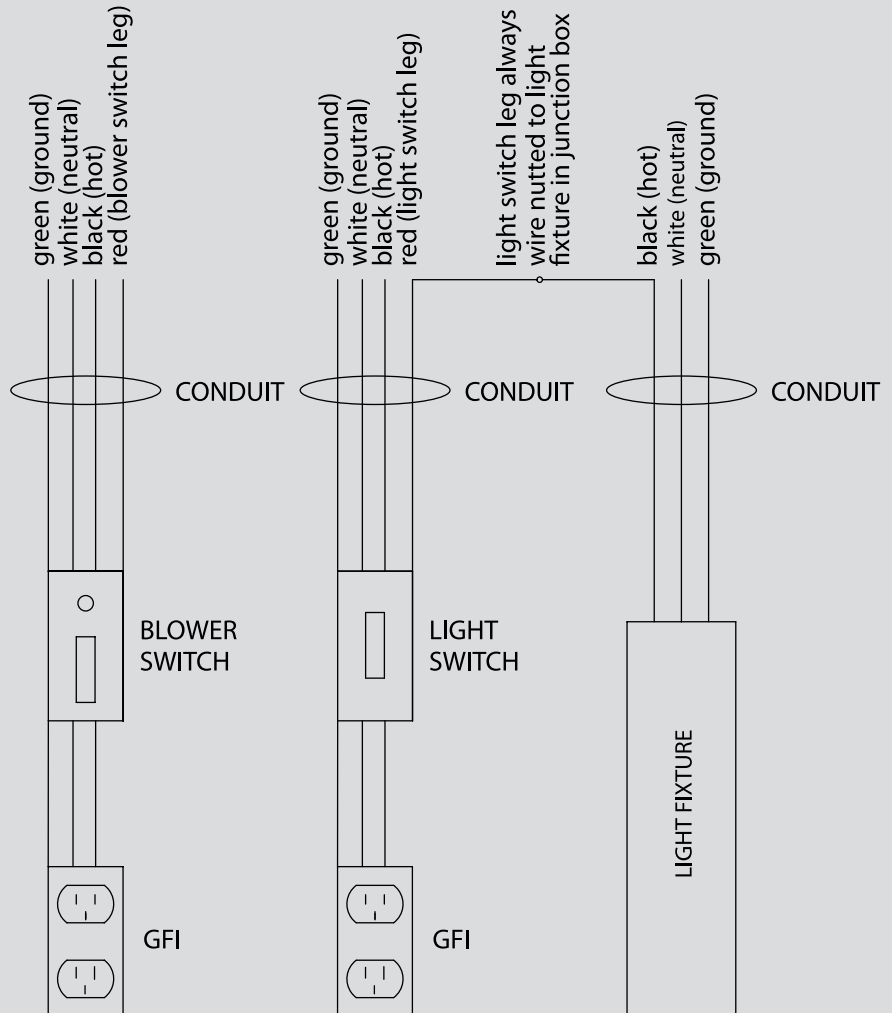
**120 volt 20 Amp Ground Fault
Interrupter (GFI)
Duplex Outlet
Standard Black color with cover
Part# GFI**



**Explosion Proof Light
Class 1, Group 1
Available in
incandescent or fluorescent
Part# XPL**

Pre-Wire service is completed in accordance with NEC and UL-1805 standards.

Note: If the fume hood is not pre-wired, wiring in the field must be accomplished using UL listed electrical fixtures while observing NEC standards and local electrical codes.

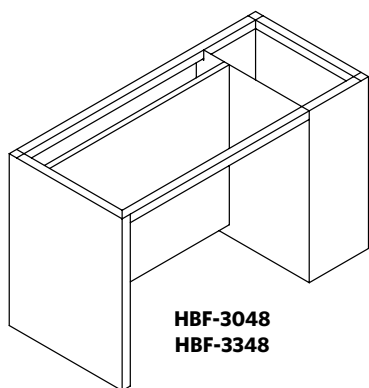


Base Cabinets

Although AMS is your fume hood expert, we do offer a selection of inset metal wall and base cabinets in 29", 33" and 35" heights. When a large quantity of standard laboratory cabinets is required, please contact us for an approved distributor.

AMS fume hood base cabinets conform to the method of testing and performance requirements set forth in the Scientific Equipment Furniture Association (SEFA). All ADA and hood base cabinets can be manufactured in stainless steel.

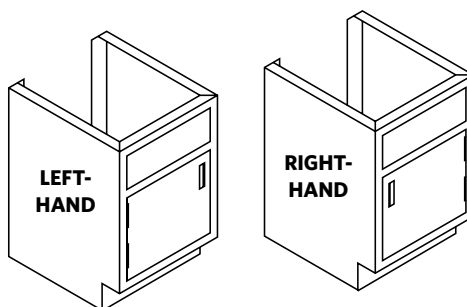
ADA Base Frames



HBF-3048
HBF-3348

Must be specified left- or right-hand; right-hand shown

ADA Hood Bases



LEFT-HAND

RIGHT-HAND

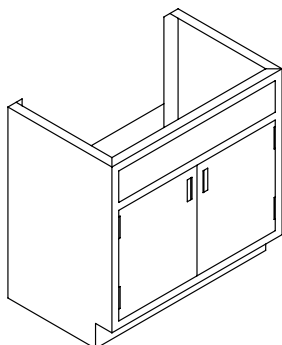
B2912-10P
B2918-10P
B2924-10P

B3312-10P
B3318-10P
B3324-10P

Must be specified left- or right-hand

NOTE: ADA cabinet configurations come in both 30" and 33" high.

Hood Bases

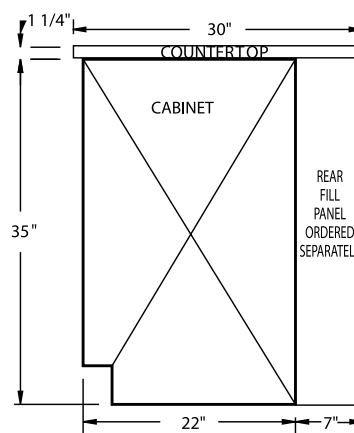


B3512-10P*
B3518-10P*
B3524-20P*
B3530-20P
B3536-20P
B3548-20P

EXAMPLE: HB-3630 = 36"h x 30"w

NOTE: These cabinets also come in 33" high and 29" high

*Single door; specify left- or right-hand



END VIEW OF HOOD CABINET
ALL HOOD BASES HAVE ADJUSTABLE FEET

NOTE: Other metal base cabinets available upon request.

Flammable and Acid Storage Cabinets; Vacuum Pump Cabinet

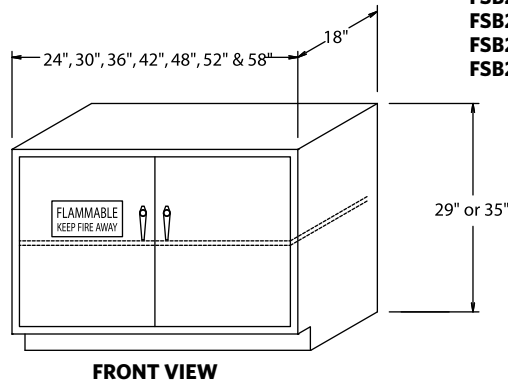
The Flammable Liquid Storage Cabinet is a "cabinet-within-a-cabinet" design with fully welded 18ga interior and exterior units. Both cabinets are completely powder coated inside and out, offering greater protection against corrosion than the standard double panel construction. This design creates a 1.5" airspace on all four sides as well as top and bottom for heat resistance up to 2400 degrees F.

The interior of the cabinet contains one fully adjustable shelf and a 2" deep removable drip pan to capture any spills or leaks inside the cabinet. Exterior depth of the cabinet is 18" and interior depth is 14". A 2" x 2" 12ga support angle is shipped with each cabinet for countertop installation.

Doors have a continuous hinge and lever type handles with a hidden 3-point lock mechanism. If a self-closing feature is required, a hydraulic closure will be attached to the doors and a custom closing system attached to the interior cabinet. The back of the cabinet has two venting holes that are plugged with 2" barrel bungs.

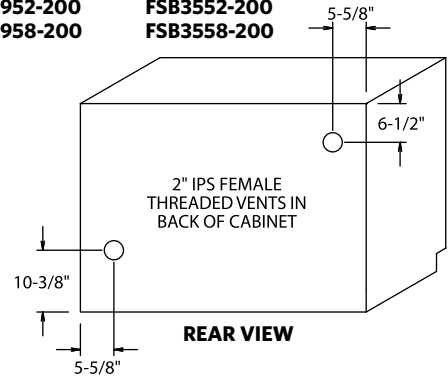
AMS Flammable Liquid Storage Cabinets are constructed in accordance with OSHA and NFPA 30, and are UL listed.

Flammable Storage Cabinet



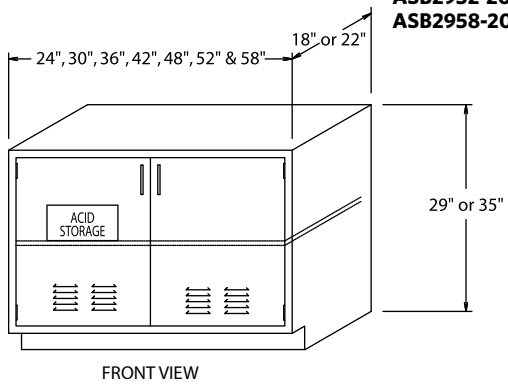
- FSB2924-100
- FSB2930-200
- FSB2936-200
- FSB2942-200
- FSB2948-200
- FSB2952-200
- FSB2958-200

- FSB3524-100 } 1 Door Units
- FSB3530-200
- FSB3536-200
- FSB3542-200
- FSB3548-200
- FSB3552-200
- FSB3558-200



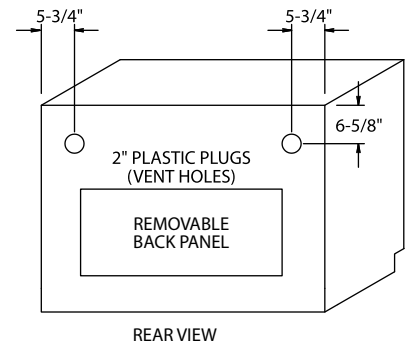
Flammable storage cabinets can be painted any standard color or safety yellow. For synchronized self-closing doors, add -SCC to the part number. For 22" deep, replace -200 with -220. For mobile cabinet, contact your AMS representative.

Acid Storage Cabinet



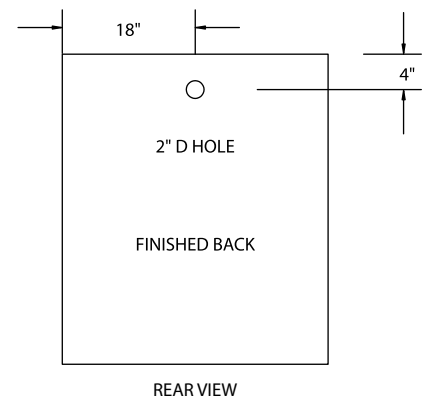
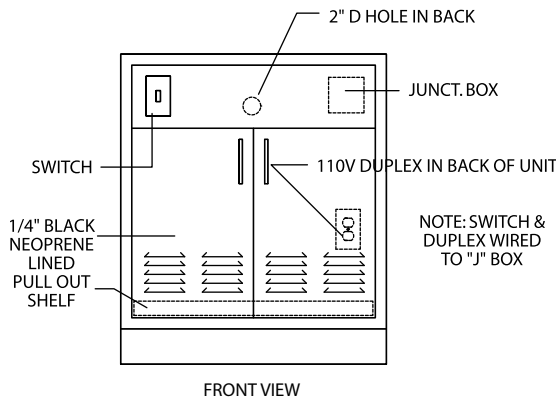
- ASB2918-100
- ASB2924-100
- ASB2930-200
- ASB2936-200
- ASB2942-200
- ASB2948-200
- ASB2952-200
- ASB2958-200

- ASB3518-100 } 1 Door Units
 - ASB3524-100
 - ASB3530-200
 - ASB3536-200
 - ASB3542-200
 - ASB3548-200
 - ASB3552-200
 - ASB3558-200
- Add Suffix "VK" if Vent Kit is Required**



Acid cabinet can be painted any standard color or safety blue.

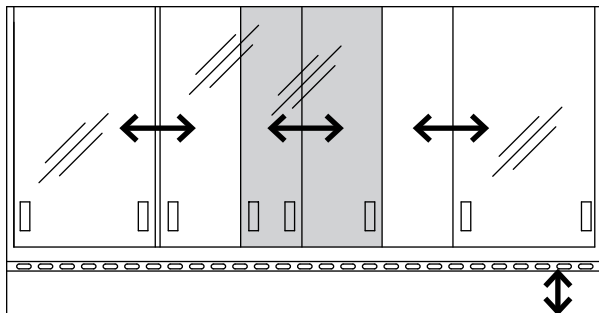
Vacuum Pump Cabinet



Additional insulation materials for noise reduction available upon request.

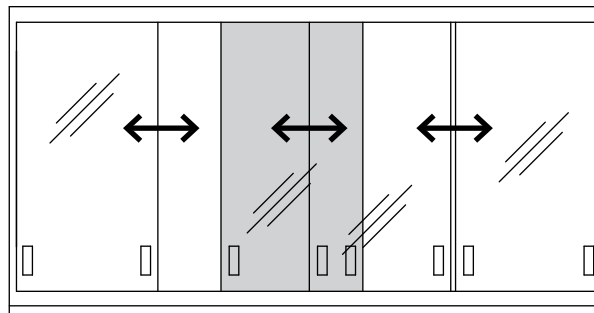
Sash Options

To order these optional sashes, please refer to the Ordering Guide on the back cover of this catalog. The large, underlined number in each of the part numbers below is the Sash Style number to use when ordering.



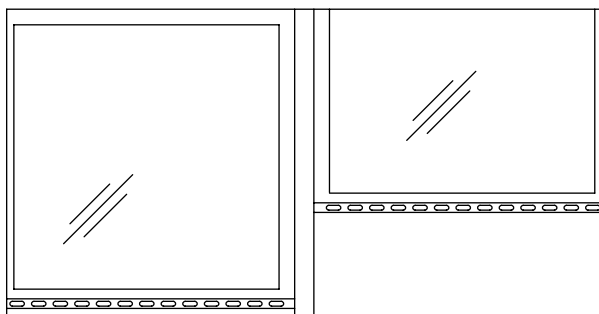
Combo Horizontal/Vertical Sash

EH-121-72



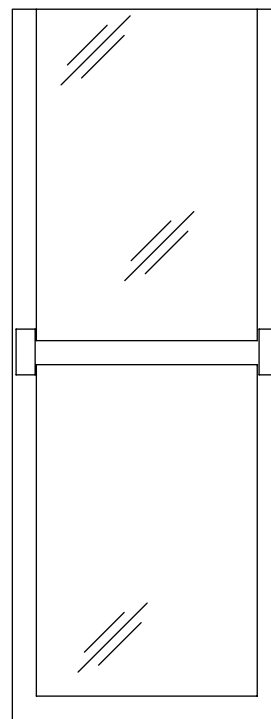
Horizontal Sash Only

EH-131-72



Interlocking Sash

EH-141-72



Hanging Horizontal Doors

EH-451-72

Additional Sash Options

- **SASH ALARM:** a red light alarm activated when sash is opened above a pre-set height
- **SASH STOP:** a device to limit sash opening, with manual override
- **AUTO SASH RETURN:** returns sash to 18" working height when opened beyond set height
- **SASH INTERLOCK:** allows only one sash to be opened at any time on a double-sided hood
- **DOUBLE HUNG SASH:** for larger openings with ceiling height limitations
- **SASH LOCK:** a keyed lock that keeps the sash closed if needed in a classroom setting
- **PUSHBUTTON SASH*:** opens and closes sash with the push of a button
- **AUTO-SENSING SASH*:** automatically closes sash when operator walks away

**These two types of sashes have a wide range of capabilities. Please call an Air Master Systems representative or the factory to determine which application is right for your needs.*