

# Features/Benefits

## Standard Construction:

### FEATURE

10" deluge shower head delivers high volume of water.

WaterSaver safety stations are equipped with an eyewash or eye/face wash with GS-Plus™ or FS-Plus™ spray-type outlet heads. These unique spray heads feature integrated “flip top” dust covers to protect against dirt and dust, internal filters to remove impurities, and flow controls to regulate water flow.

Furnished with dual chrome plated brass stay-open ball valves on shower and eyewash or eye/face wash.

Ball valves are “Made in the USA” with brass bodies, chrome plated brass balls and molded TFE seals.

Schedule 40 steel pipe and fittings are hot dipped galvanized inside and out.

Emergency shower/eyewash sign is included with every unit. Sign complies with ANSI Standards Z535.1 - 535.5 for safety signage.

Eyewash or eye/face wash frame assembly is assembled and water tested prior to shipment - 100%.

### BENEFIT

Contaminants are rinsed away quickly and completely. Per ANSI Z358.1-2009, shower head provides at least 30 GPM flow and 20" spray pattern at 60" above floor.

The water flow is delivered in a more gentle flow than with traditional outlet heads. Contaminants are rinsed away quickly, gently and completely.

Quick-opening valves deliver high flow. Stay-open feature permits “hands-free” operation so that user can hold eyes open or disrobe while flushing contaminants.

High quality valves are sturdy, durable and resist corrosion, freeze-up and leakage.

Heavy duty pipe and fittings provide durability.

Highly visible sign identifies equipment and enables employees to locate shower in an emergency situation.

Factory assembly and testing guarantee trouble-free installation and total reliability. In an emergency, WaterSaver products will protect your employees.

## Available Options:

### FEATURE

Epoxy powder coated finish on entire unit. Coating is electrostatically applied and then baked to provide a smooth, hard protective surface. Available in a choice of colors.

Units constructed entirely in stainless steel and PVC for use in highly environments, cleanrooms and pharmaceutical applications.

Tempering valves automatically blend hot and cold water to deliver tepid water to emergency equipment as provided by ANSI Z358.1-2009.

Modesty curtains.

Electric light and alarm systems.

### BENEFIT

Coating provides enhanced protection against corrosion. High visibility color on entire unit facilitates locating in an emergency.

Units withstand even the most demanding environments to provide reliable and durable service.

Extreme hot or cold water can deter use of emergency equipment. Tempering valves have internal “fail safe” features to protect user even if hot or cold water supply is interrupted.

Facilitate shower use by providing privacy for user when disrobing.

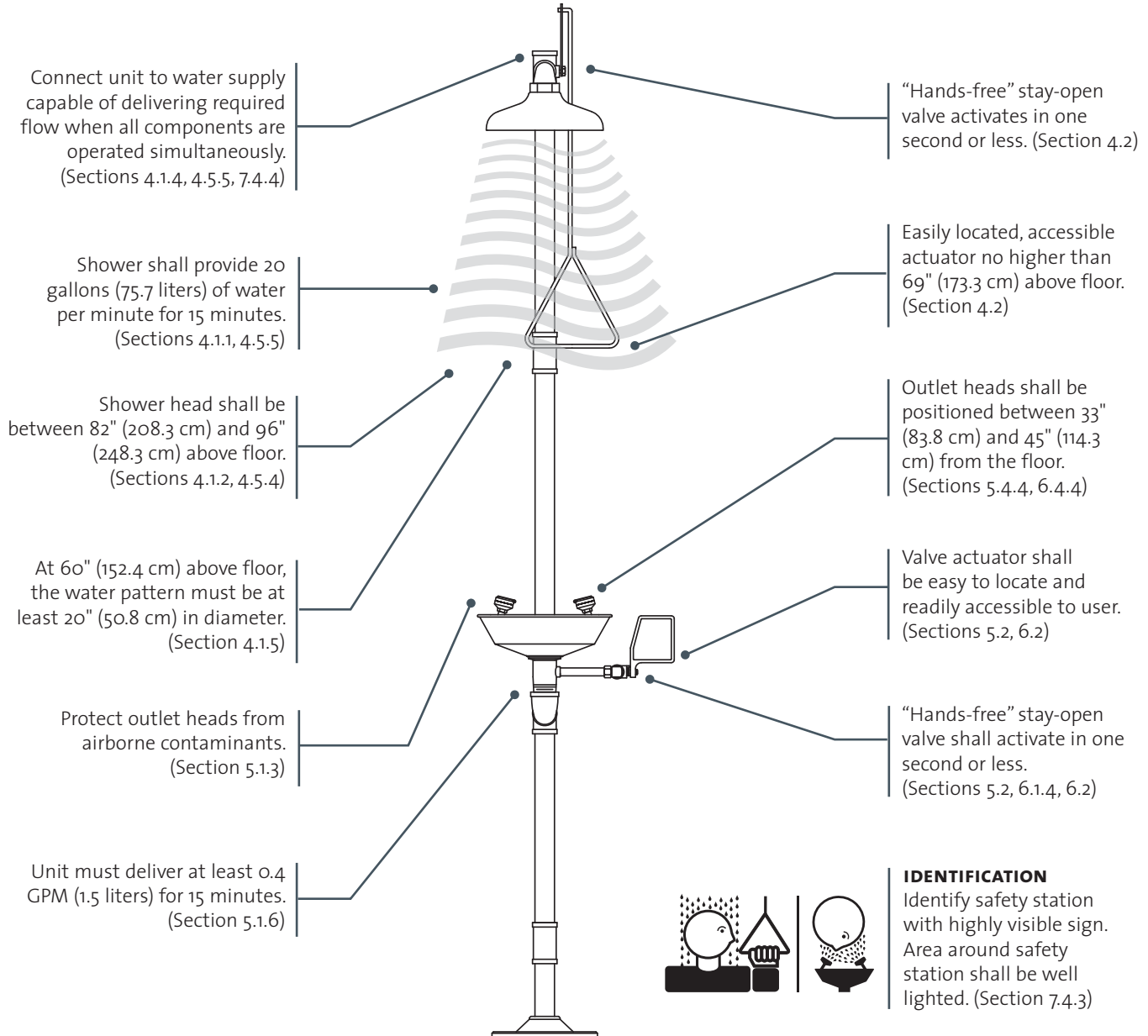
Alarms alert personnel that shower is in use, summon assistance and deter unauthorized activation of safety equipment.

rev 0110 © 2010 / WaterSaver Faucet Co.

# ANSI Guidelines

This checklist is a summary of the provisions of ANSI Z358.1-2009 relating to eyewash or eye/face wash and shower combination stations. Please refer to the standard for a complete listing of these provisions.

All WaterSaver safety stations (except units with self-closing valves) are third-party certified to meet or exceed the provisions of ANSI Z358.1-2009.



**LOCATION**  
Install safety station within 10 seconds or 55 ft. of hazard, on the same level as hazard and with unobstructed travel path. (Section 7.4.2)

**WATER TEMPERATURE**  
Water delivered by safety station shall be tepid (60°-100°F). (Section 7.4.5)

**WTRAINING**

Instruct all employees in the location and proper use of safety station. (Section 7.5.4)

**MAINTENANCE/INSPECTION**

Activate safety station at least weekly. (Section 7.5.2)  
Inspect annually for compliance with standard. (Section 7.5.5)

rev 0110 © 2010 / WaterSaver Faucet Co.

- **SS902** Safety Station with Eyewash, Stainless Steel Bowl
- **SS902P** Safety Station with Eyewash, Plastic Bowl

**APPLICATION:** Combination eyewash and shower safety station. Two GS-Plus™ spray-type outlet heads deliver a flood of water for rinsing eyes.

**SHOWER HEAD:** 10" diameter orange ABS plastic.

**SHOWER VALVE:** 1" IPS chrome plated brass stay-open ball valve. Valve is US-made with chrome plated brass ball and TFE seals. Furnished with stainless steel actuating arm and 29" stainless steel pull rod.

**SPRAY HEAD ASSEMBLY:** Two GS-Plus™ spray heads. Each head has a "flip top" dust cover, internal flow control and filter to remove impurities from water.

**EYEWASH BOWL:** 11 1/2" diameter. Bowl is stainless steel (SS902) or orange ABS plastic (SS902P).

**EYEWASH VALVE:** 1/2" IPS chrome plated brass stay-open ball valve. Valve is US-made with chrome plated brass ball and TFE seals.

**PIPE AND FITTINGS:** Schedule 40 galvanized steel. Furnished with orange polyethylene covers for vertical piping for high visibility and corrosion resistance.

**SUPPLY:** 1 1/4" NPT female top or side inlet.

**WASTE:** 1 1/4" NPT female outlet. Outlet can be positioned at either 8" or 20" above finished floor by reversing lower pipe nipples.

**SIGN:** Furnished with ANSI-compliant identification sign.

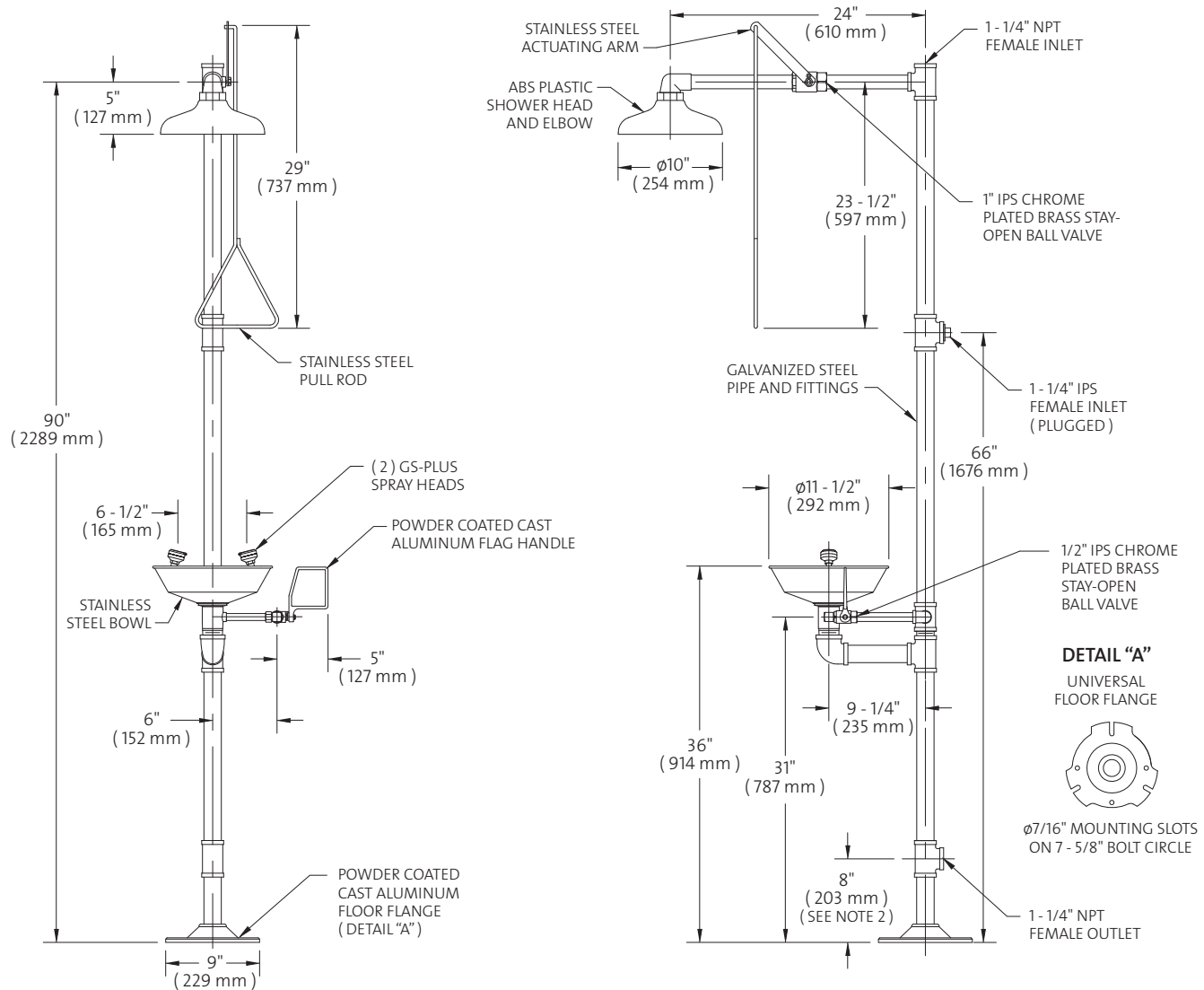
**QUALITY ASSURANCE:** Valve and spray head assemblies are factory assembled and water tested prior to shipment.

## Available Options

- **PCC** All-polished chrome plated brass construction.
- **SSC** Powder coated finish on galvanized pipe and fittings. Available colors include orange, yellow, red and green.
- **FC20** Flow control to regulate shower flow rate to 20 GPM.
- **SSH** Stainless steel shower head.
- **HFC** Hand and foot control. Eyewash is activated by flag handle or foot treadle
- **AP275-205 ELECTRIC LIGHT AND ALARM HORN**  
Light and alarm horn summon assistance when eyewash or shower is activated.
- **AP250-015 MODESTY CURTAIN**  
Modesty curtain for mounting on safety station.
- **TMV** AP3800 thermostatic mixing valve precisely blends hot and cold water to deliver tepid water as required by ANSI Z358.1-2009.



- **SS902** Safety Station with Eyewash, Stainless Steel Bowl
- **SS902P** Safety Station with Eyewash, Plastic Bowl



**NOTES:**

1. EACH GS-PLUS SPRAY HEAD HAS A "FLIP-TOP" DUST COVER, INTERNAL FLOW CONTROL AND FILTER TO REMOVE IMPURITIES FROM THE WATER FLOW.
2. OUTLET TEE CAN BE POSITIONED AT EITHER 8" OR 20" A.F.F. BY REVERSING PIPE NIPPLES ABOVE AND BELOW LOWER TEE.

THIS SPACE FOR ARCHITECT/ENGINEER APPROVAL

Due to continuing product improvement, the information contained in this document is subject to change without notice. All dimensions are ± 1/4" (6mm).

ETL Listed 101496.  
Units have been tested  
to and comply with  
ANSI Z358.1 - 2009



**Sign Included**



## ○ SS902BC Safety Station with Eyewash, Stainless Steel Bowl and Cover

**APPLICATION:** Combination eyewash and shower safety station. Eyewash has stainless steel cover to protect bowl from dust, dirt and other contaminants. Cover is raised automatically when flag handle is activated. Cover closes when handle is returned to closed position. Two GS-Plus™ spray-type outlet heads deliver a flood of water for rinsing eyes.

**SHOWER HEAD:** 10" diameter orange ABS plastic.

**SHOWER VALVE:** 1" IPS chrome plated brass stay-open ball valve. Valve is US-made with chrome plated brass ball and TFE seals. Furnished with stainless steel actuating arm and 29" stainless steel pull rod.

**SPRAY HEAD ASSEMBLY:** Two GS-Plus™ spray heads. Each head has an internal flow control and filter to remove impurities from water.

**EYEWASH BOWL:** 11 1/2" stainless steel with stainless steel cover.

**EYEWASH VALVE:** 1/2" IPS chrome plated brass stay-open ball valve. Valve is US-made with chrome plated brass ball and TFE seals.

**PIPE AND FITTINGS:** Schedule 40 galvanized steel. Furnished with orange polyethylene covers for vertical piping for high visibility and corrosion resistance.

**SUPPLY:** 1 1/4" NPT female top or side inlet.

**WASTE:** 1 1/4" NPT female outlet. Outlet can be positioned at either 8" or 20" above finished floor by reversing lower pipe nipples.

**SIGN:** Furnished with ANSI-compliant identification sign.

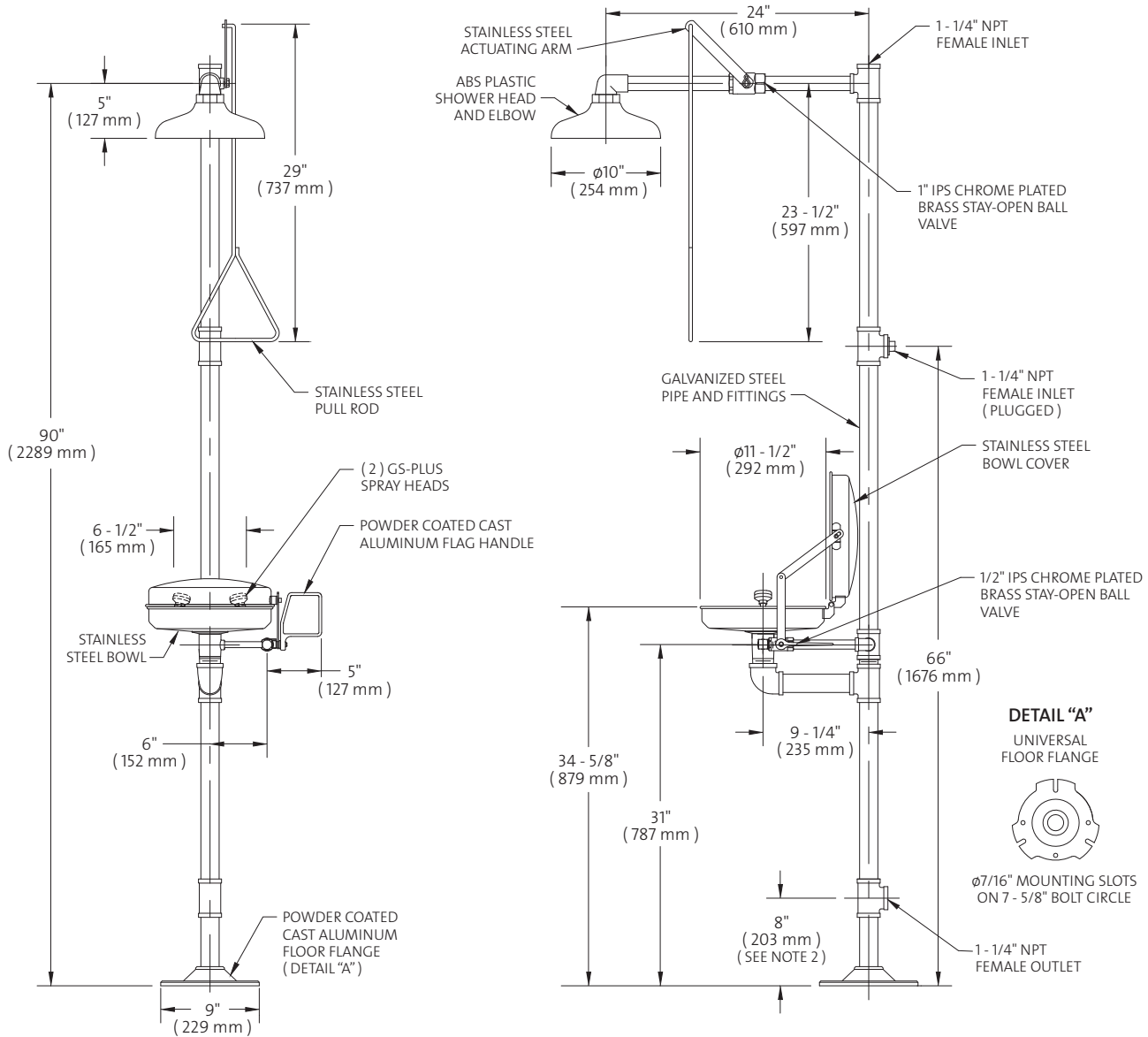
**QUALITY ASSURANCE:** Valve and spray head assemblies are factory assembled and water tested prior to shipment.

### Available Options

- PCC All-polished chrome plated brass construction.
- SSC Powder coated finish on galvanized pipe and fittings. Available colors include orange, yellow, red and green.
- FC20 Flow control to regulate shower flow rate to 20 GPM.
- SSH Stainless steel shower head.
- AP275-205 **ELECTRIC LIGHT AND ALARM HORN**  
Light and alarm horn summon assistance when eyewash or shower is activated.
- AP250-015 **MODESTY CURTAIN**  
Modesty curtain for mounting on safety station.
- TMV AP3800 thermostatic mixing valve precisely blends hot and cold water to deliver tepid water as required by ANSI Z358.1-2009.



**SS902BC** Safety Station with Eyewash, Stainless Steel Bowl and Cover



**NOTES:**

1. EACH GS-PLUS SPRAY HEAD HAS A "FLIP-TOP" DUST COVER, INTERNAL FLOW CONTROL AND FILTER TO REMOVE IMPURITIES FROM THE WATER FLOW.
2. OUTLET TEE CAN BE POSITIONED AT EITHER 8" OR 20" A.F.F. BY REVERSING PIPE NIPPLES ABOVE AND BELOW LOWER TEE.

THIS SPACE FOR ARCHITECT/ENGINEER APPROVAL

Due to continuing product improvement, the information contained in this document is subject to change without notice. All dimensions are ± 1/4" (6mm).

ETL Listed 101496.  
Units have been tested  
to and comply with  
ANSI Z358.1 - 2009



**Sign Included**



- **SS909** Safety Station with WideArea™ Eye/Face Wash, Stainless Steel Bowl
- **SS909PCC** Safety Station with WideArea™ Eye/Face Wash, Polished Chrome Plated Brass Construction

**APPLICATION:** Combination WideArea™ eye/face wash and shower safety station. Four GS-Plus™ spray-type outlet heads deliver a flood of water over a wide area of coverage for complete rinsing of eyes and face.

**SHOWER HEAD:** 10" diameter orange ABS plastic (SS909) or stainless steel (SS909PCC).

**SHOWER VALVE:** 1" IPS chrome plated brass stay-open ball valve. Valve is US-made with chrome plated brass ball and TFE seals. Furnished with stainless steel actuating arm and 29" stainless steel pull rod.

**SPRAY HEAD ASSEMBLY:** Four GS-Plus™ spray heads. Each head has a "flip top" dust cover, internal flow control and filter to remove impurities from the water flow.

**EYE/FACE WASH BOWL:** 11 1/2" diameter stainless steel.

**EYE/FACE WASH VALVE:** 1/2" IPS chrome plated brass stay-open ball valve. Valve is US-made with chrome plated brass ball and TFE seals.

**PIPE AND FITTINGS:** Schedule 40 galvanized steel (SS909) or polished chrome plated brass (SS909PCC). SS909 is furnished with orange polyethylene covers for vertical piping for high visibility and corrosion resistance.

**SUPPLY:** 1 1/4" NPT female top or side inlet.

**WASTE:** 1 1/4" NPT female outlet. Outlet can be positioned at either 8" or 20" above finished floor by reversing lower pipe nipples.

**SIGN:** Furnished with ANSI-compliant identification sign.

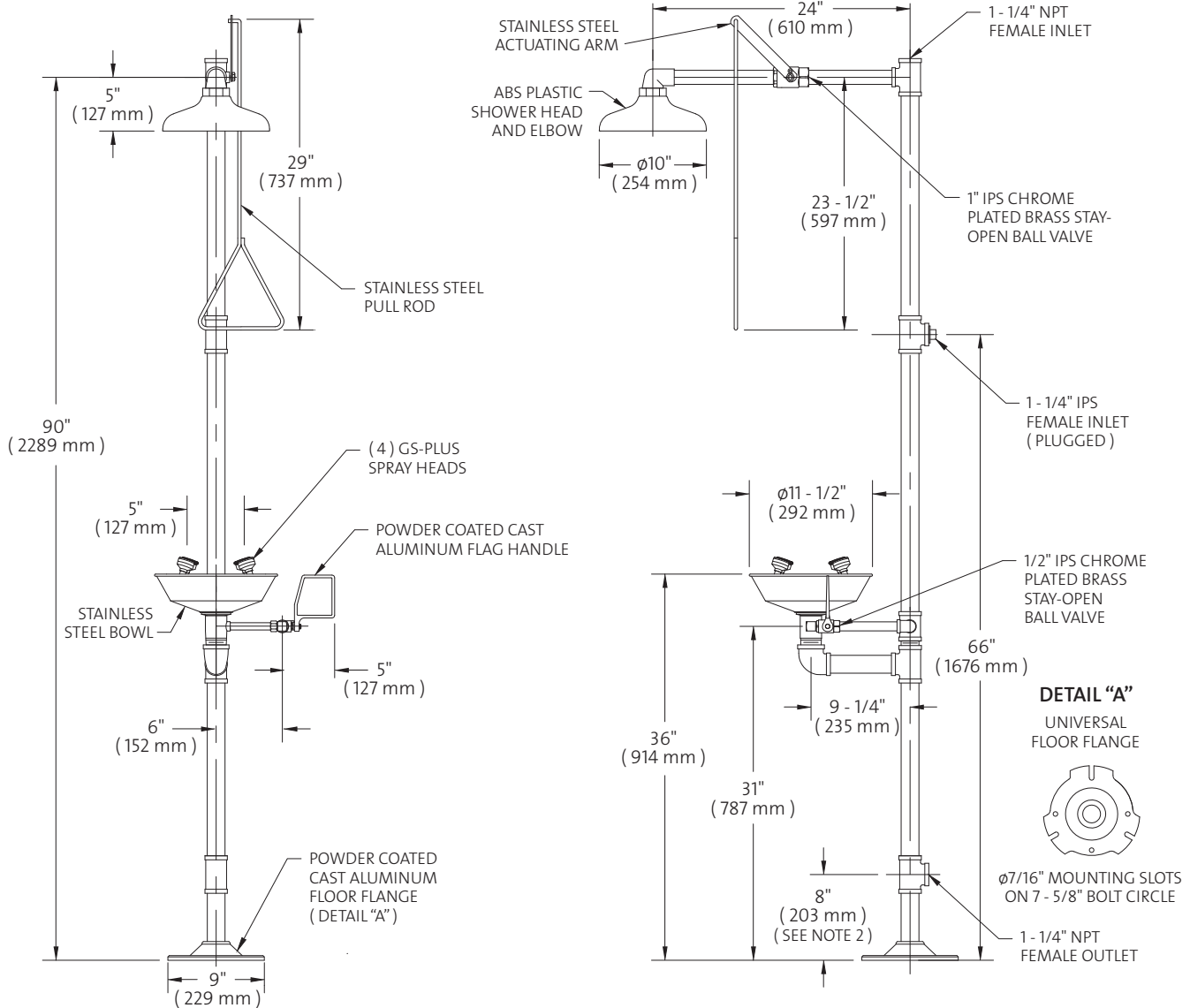
**QUALITY ASSURANCE:** Valve and spray head assemblies are factory assembled and water tested prior to shipment.

## Available Options

- **SSC** Powder coated finish on galvanized pipe and fittings. Available colors include orange, yellow, red and green.
- **FC20** Flow control to regulate shower flow rate to 20 GPM.
- **SSH** Stainless steel shower head.
- **AP275-205 ELECTRIC LIGHT AND ALARM HORN**  
Light and alarm horn summon assistance when eye/face wash or shower is activated.
- **AP250-015 MODESTY CURTAIN**  
Modesty curtain for mounting on safety station.
- **TMV** AP3800 thermostatic mixing valve precisely blends hot and cold water to deliver tepid water as required by ANSI Z358.1-2009.



- **SS909** Safety Station with WideArea™ Eye/Face Wash, Stainless Steel Bowl
- **SS909PCC** Safety Station with WideArea™ Eye/Face Wash, Polished Chrome Plated Brass Construction



**NOTES:**

1. EACH GS-PLUS SPRAY HEAD HAS A "FLIP-TOP" DUST COVER, INTERNAL FLOW CONTROL AND FILTER TO REMOVE IMPURITIES FROM THE WATER FLOW.
2. OUTLET TEE CAN BE POSITIONED AT EITHER 8" OR 20" A.F.F. BY REVERSING PIPE NIPPLES ABOVE AND BELOW LOWER TEE.

THIS SPACE FOR ARCHITECT/ENGINEER APPROVAL

Due to continuing product improvement, the information contained in this document is subject to change without notice. All dimensions are ± 1/4" (6mm).

**Sign Included**



ETL Listed 101496.  
Units have been tested to and comply with ANSI Z358.1 - 2009



WaterSaver Faucet Co.  
701 West Erie Street  
Chicago, IL 60654

312 666 5500 TELEPHONE  
312 666 5501 FACSIMILE  
wsflab.com



## ○ SS994 Safety Station with WideArea™ Eye/Face Wash, All-Stainless Steel Construction

**APPLICATION:** All-stainless steel combination WideArea™ eye/face wash and shower safety station. Stainless steel construction is ideal for highly corrosive environments, cleanroom applications and pharmaceutical facilities. Four GS-Plus™ spray-type outlet heads deliver a flood of water over a wide area of coverage for complete rinsing of eyes and face.

**SHOWER HEAD:** 10" diameter stainless steel.

**SHOWER VALVE:** 1" IPS Type 316 stainless steel stay-open ball valve. Valve has stainless steel ball and TFE seals. Furnished with stainless steel actuating arm and 29" stainless steel pull rod.

**SPRAY HEAD ASSEMBLY:** Four GS-Plus™ spray heads. Each head has a "flip top" dust cover, internal flow control and filter to remove impurities from the water flow.

**EYE/FACE WASH BOWL:** 11 1/2" diameter stainless steel.

**EYE/FACE WASH VALVE:** 1/2" IPS Type 316 stainless steel stay-open ball valve. Valve has stainless steel ball and TFE seals.

**PIPE AND FITTINGS:** Schedule 40 Type 304 brushed stainless steel. Furnished with orange polyethylene covers for vertical piping for high visibility and corrosion resistance.

**SUPPLY:** 1 1/4" NPT female top or side inlet.

**WASTE:** 1 1/4" NPT female outlet.

**SIGN:** Furnished with ANSI-compliant identification sign.

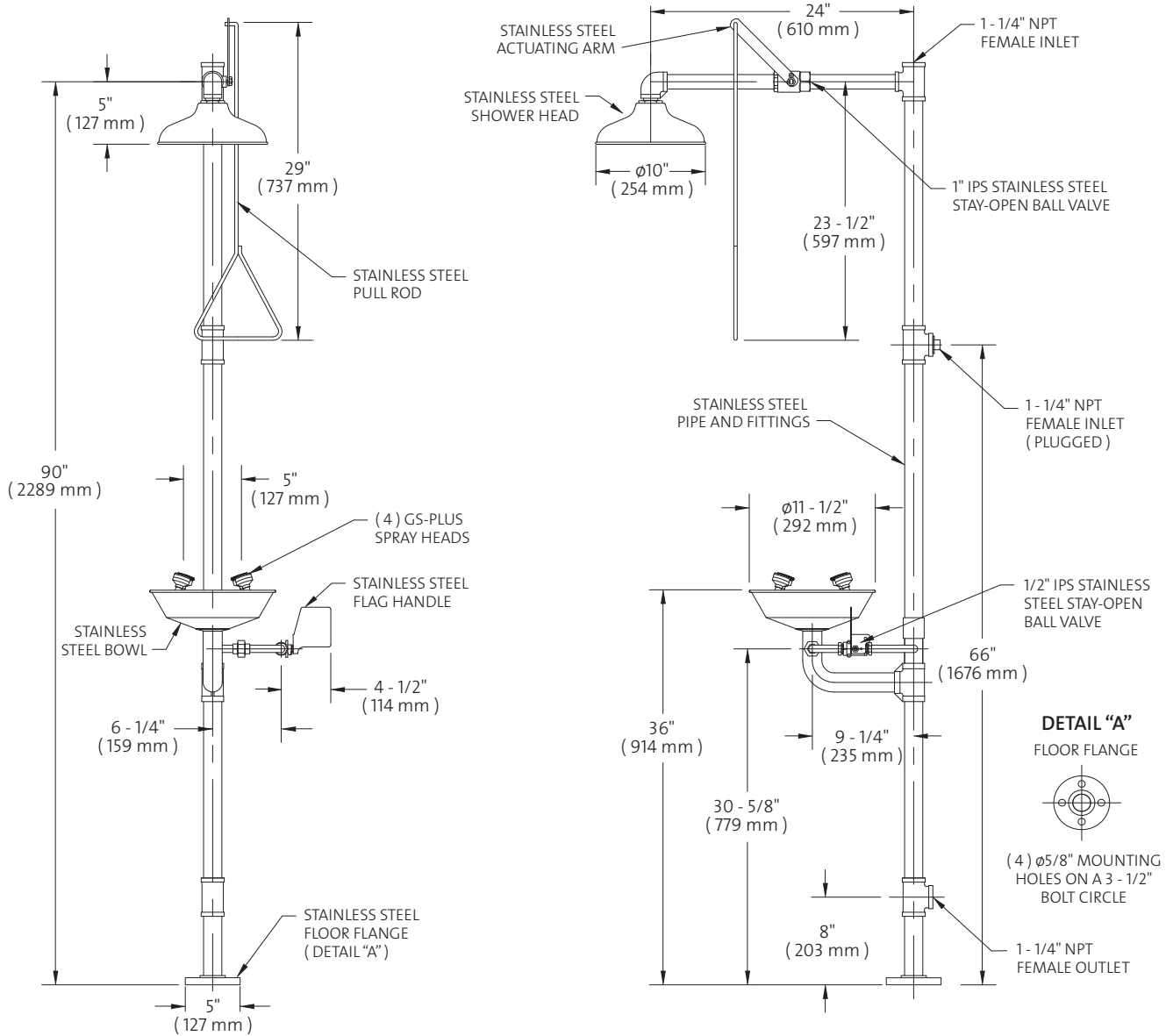
**QUALITY ASSURANCE:** Valve and spray head assemblies are factory assembled and water tested prior to shipment.

### Available Options

- **FC20** Flow control to regulate shower flow rate to 20 GPM.
- **HFC** Hand and foot control. Eye/face wash is activated by flag handle or foot treadle.
- **AP275-205 ELECTRIC LIGHT AND ALARM HORN**  
Light and alarm horn summon assistance when eye/face wash or shower is activated.
- **AP250-015 MODESTY CURTAIN**  
Modesty curtain for mounting on safety station.
- **TMV** AP3800 thermostatic mixing valve precisely blends hot and cold water to deliver tepid water as required by ANSI Z358.1-2009.



○ **SS994** Safety Station with WideArea™ Eye/Face Wash, All-Stainless Steel Construction



NOTE:

1. EACH GS-PLUS SPRAY HEAD HAS A "FLIP-TOP" DUST COVER, INTERNAL FLOW CONTROL AND FILTER TO REMOVE IMPURITIES FROM THE WATER FLOW.

THIS SPACE FOR ARCHITECT/ENGINEER APPROVAL

Due to continuing product improvement, the information contained in this document is subject to change without notice. All dimensions are  $\pm 1/4"$  (6mm).

ETL Listed 101496.  
Units have been tested  
to and comply with  
ANSI Z358.1 - 2009



Sign Included



○ **SS994BC** Safety Station with WideArea™ Eye/Face Wash, All-Stainless Steel Construction, Bowl Cover

**APPLICATION:** All-stainless steel combination WideArea™ eye/face wash and shower safety station. Stainless steel construction is ideal for highly corrosive environments, cleanroom applications and pharmaceutical facilities. Eye/face wash has stainless steel cover to protect bowl from dust, dirt and other contaminants. Cover is raised automatically when flag handle is activated. Cover closes when handle is returned to closed position. Four GS-Plus™ spray-type outlet heads deliver a flood of water over a wide area of coverage for complete rinsing of eyes and face.

**SHOWER HEAD:** 10" diameter stainless steel.

**SHOWER VALVE:** 1" IPS Type 316 stainless steel stay-open ball valve. Valve has stainless steel ball and TFE seals. Furnished with stainless steel actuating arm and 29" stainless steel pull rod.

**SPRAY HEAD ASSEMBLY:** Four GS-Plus™ spray heads. Each head has an internal flow control and filter to remove impurities from the water flow.

**EYE/FACE WASH BOWL:** 11 1/2" stainless steel with stainless steel cover.

**EYE/FACE WASH VALVE:** 1/2" IPS Type 316 stainless steel stay-open ball valve. Valve has stainless steel ball and TFE seals.

**PIPE AND FITTINGS:** Schedule 40 Type 304 brushed stainless steel. Furnished with orange polyethylene covers for vertical piping for high visibility and corrosion resistance.

**SUPPLY:** 1 1/4" NPT female top or side inlet.

**WASTE:** 1 1/4" NPT female outlet.

**SIGN:** Furnished with ANSI-compliant identification sign.

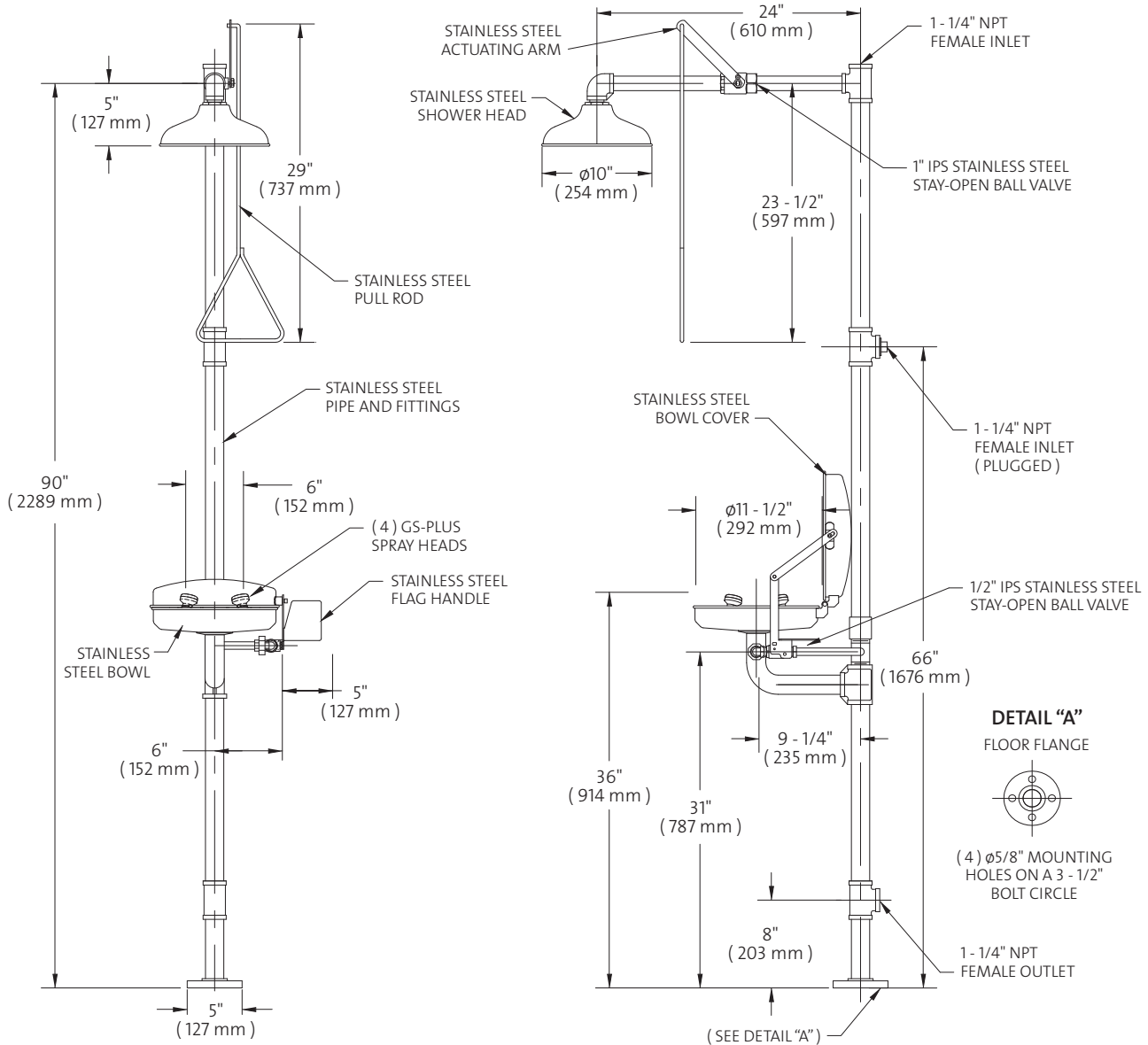
**QUALITY ASSURANCE:** Valve and spray head assemblies are factory assembled and water tested prior to shipment.

## Available Options

- **FC20** Flow control to regulate shower flow rate to 20 GPM.
- **AP275-205 ELECTRIC LIGHT AND ALARM HORN**  
Light and alarm horn summon assistance when eye/face wash or shower is activated.
- **AP250-015 MODESTY CURTAIN**  
Modesty curtain for mounting on safety station.
- **TMV** AP3800 thermostatic mixing valve precisely blends hot and cold water to deliver tepid water as required by ANSI Z358.1-2009.



○ **SS994BC** Safety Station with WideArea™ Eye/Face Wash, All-Stainless Steel Construction, Bowl Cover



**NOTE:**

1. EACH GS-PLUS SPRAY HEAD HAS A "FLIP-TOP" DUST COVER, INTERNAL FLOW CONTROL AND FILTER TO REMOVE IMPURITIES FROM THE WATER FLOW.

THIS SPACE FOR ARCHITECT/ENGINEER APPROVAL

Due to continuing product improvement, the information contained in this document is subject to change without notice. All dimensions are  $\pm 1/4"$  (6mm).

ETL Listed 101496.  
Units have been tested  
to and comply with  
ANSI Z358.1 - 2009



**Sign Included**

