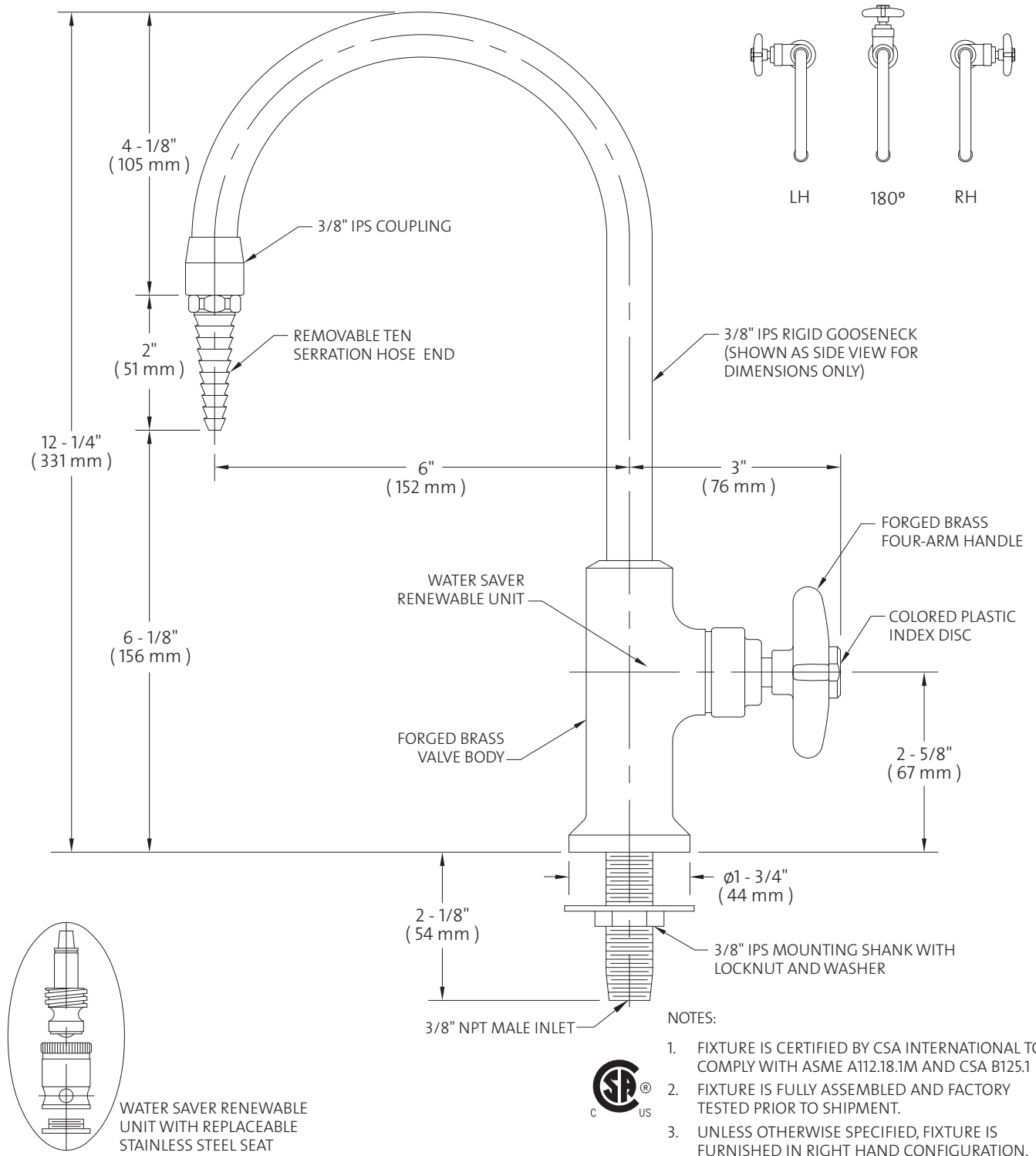


WaterSaver

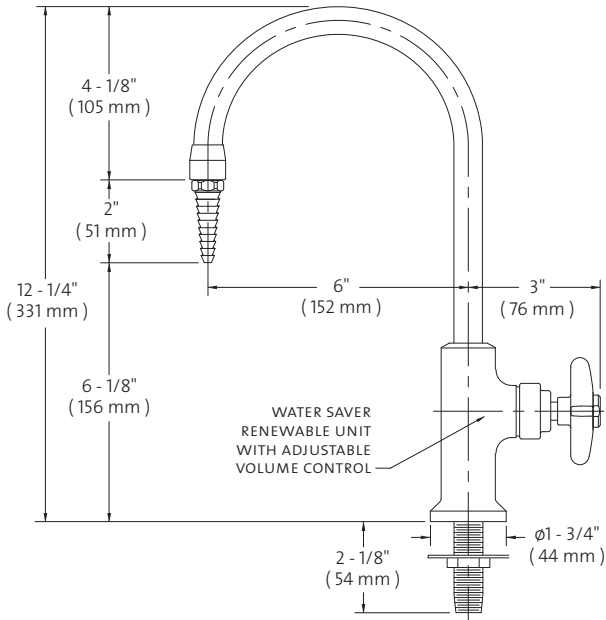
- **L611** Laboratory Single Faucet, Deck Mounted, 6" Rigid Gooseneck
- **L612** Same as Above Except with Swing Gooseneck
- **L614** Same as Above Except with Rigid/Swing Gooseneck



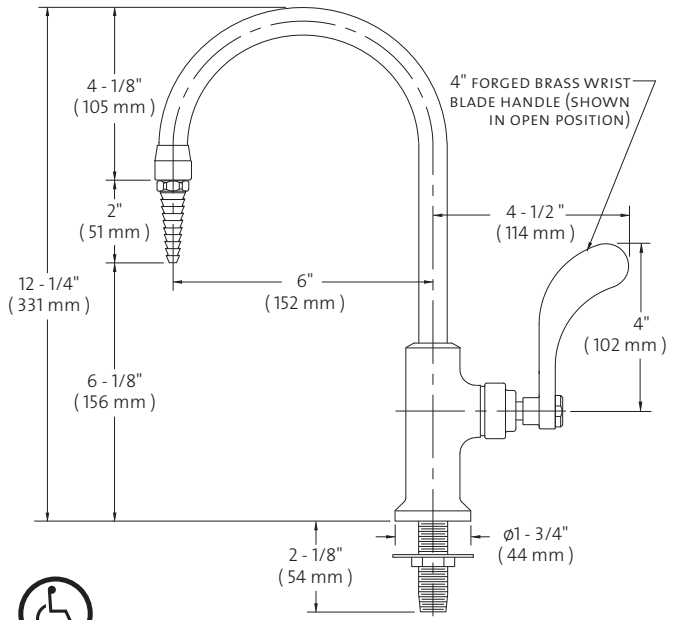
Measurements may vary ± 1/4".

○ L611 / L612 / L614 Additional Configurations

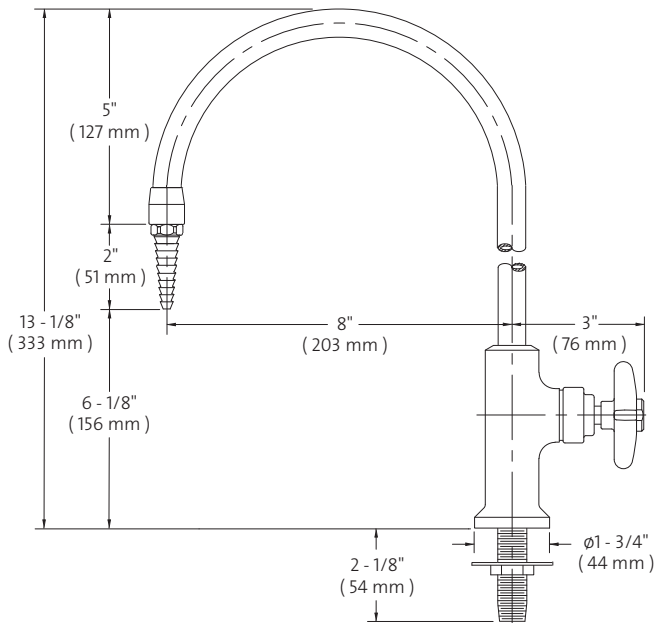
○ LA611 Laboratory Single Faucet, Deck Mounted, 6" Rigid Gooseneck, Adjustable Volume Control



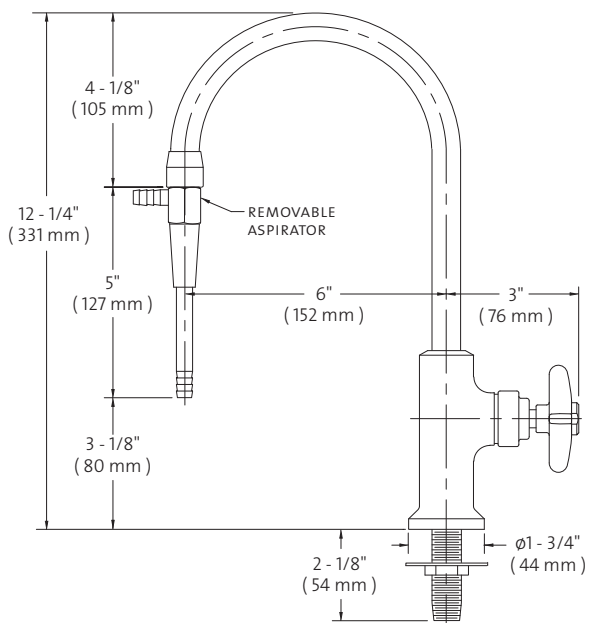
○ L611BH Laboratory Single Faucet, Deck Mounted, 6" Rigid Gooseneck, Wrist Blade Handle



○ L611-8 Laboratory Single Faucet, Deck Mounted, 8" Rigid Gooseneck

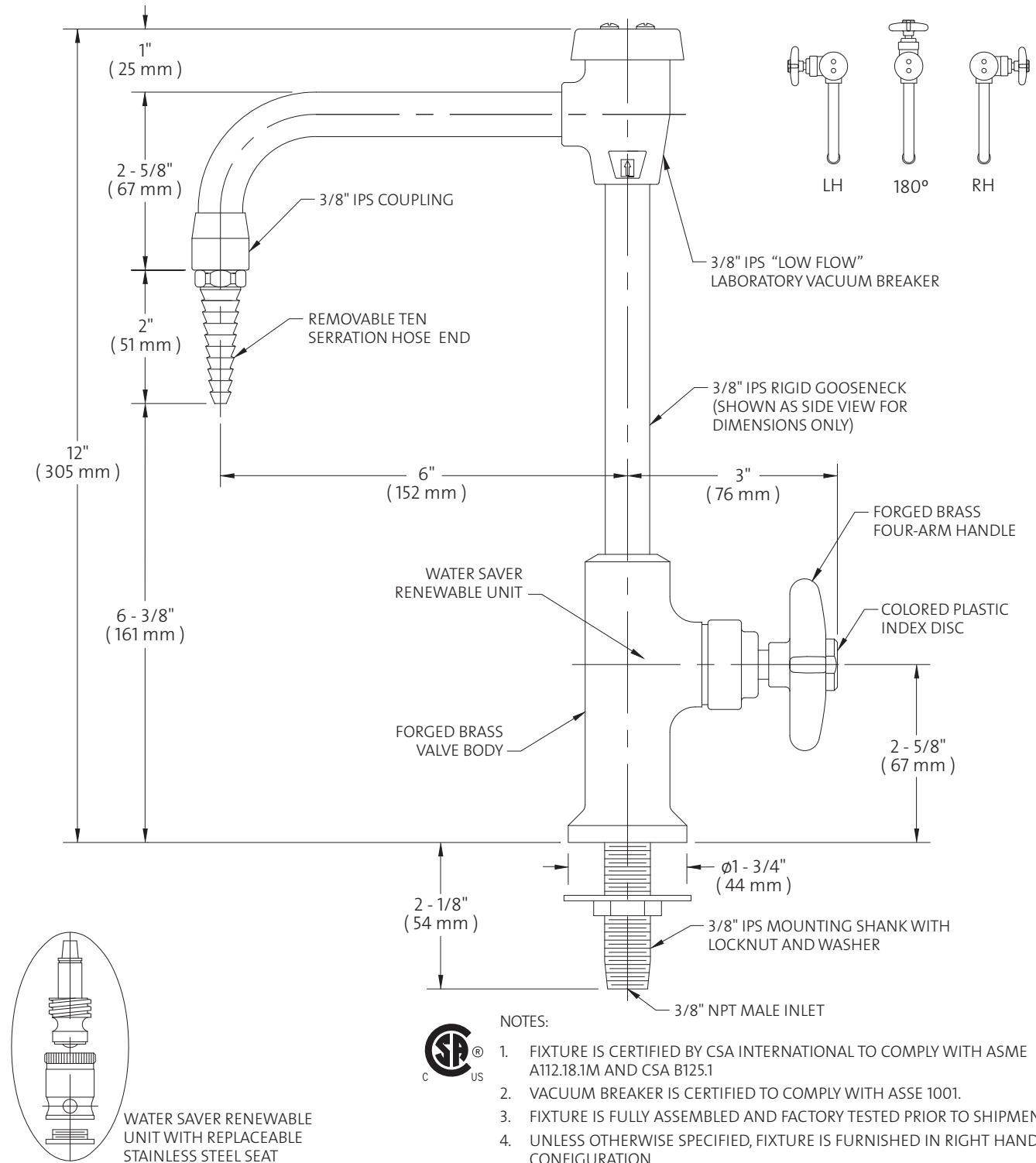


○ L611-127 Laboratory Single Faucet, Deck Mounted, 6" Rigid Gooseneck, Aspirator



Measurements may vary $\pm 1/4"$.

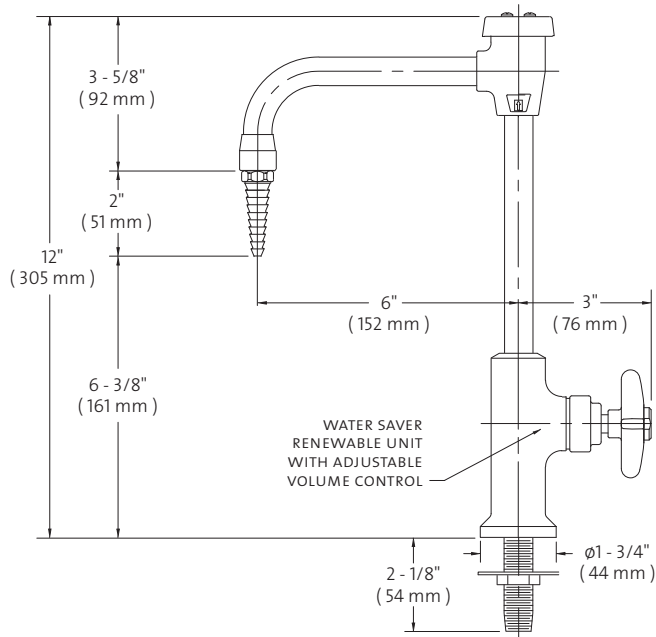
- **L611VB** Laboratory Single Faucet, Deck Mounted, 6" Rigid Vacuum Breaker Gooseneck
- **L612VB** Same as Above Except with Swing Vacuum Breaker Gooseneck
- **L614VB** Same as Above Except with Rigid/Swing Vacuum Breaker Gooseneck



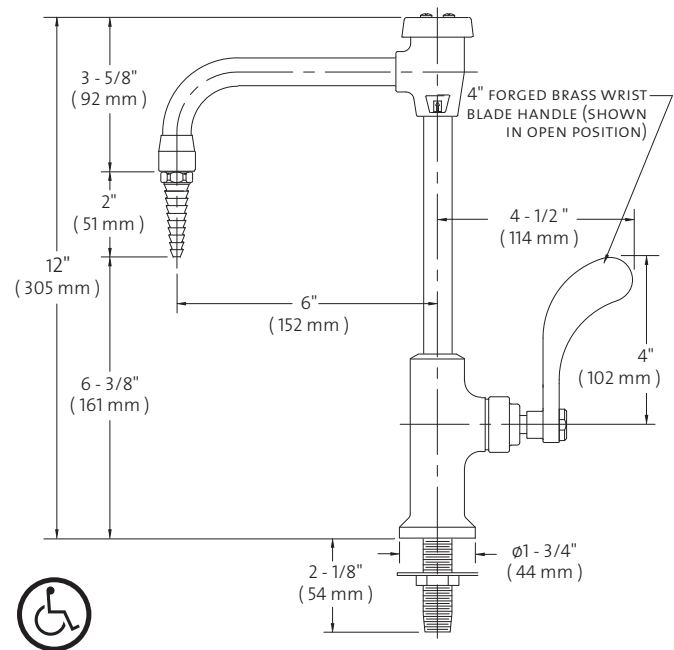
Measurements may vary ± 1/4".

○ L611VB / L612VB / L614VB Additional Configurations

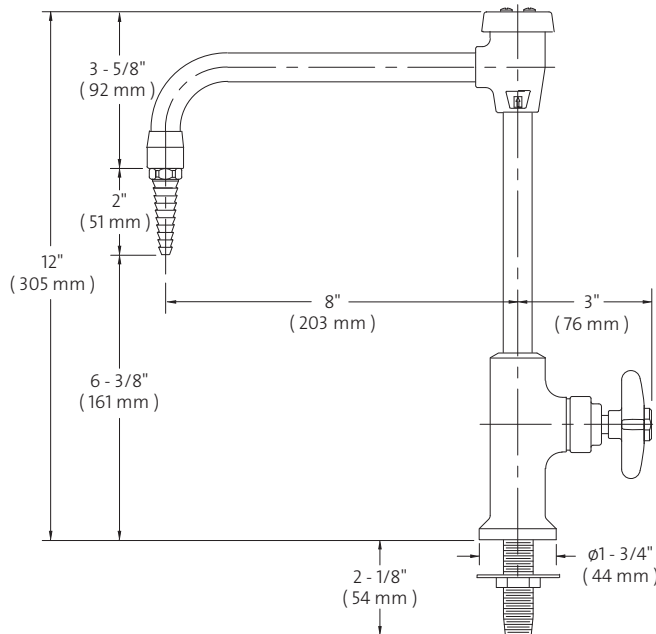
○ LA611VB Laboratory Single Faucet, Deck Mounted, 6" Rigid Vacuum Breaker Gooseneck, Adjustable Volume Control



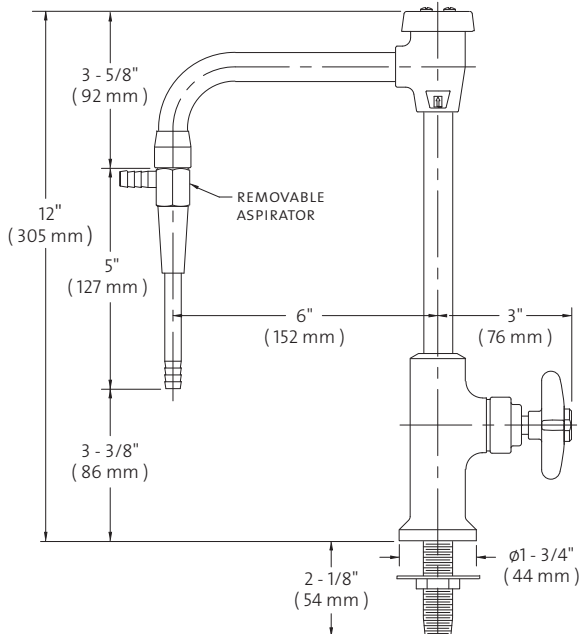
○ L611VB-BH Laboratory Single Faucet, Deck Mounted, 6" Rigid Vacuum Breaker Gooseneck, Wrist Blade Handle



○ L611-8VB Laboratory Single Faucet, Deck Mounted, 8" Rigid Vacuum Breaker Gooseneck



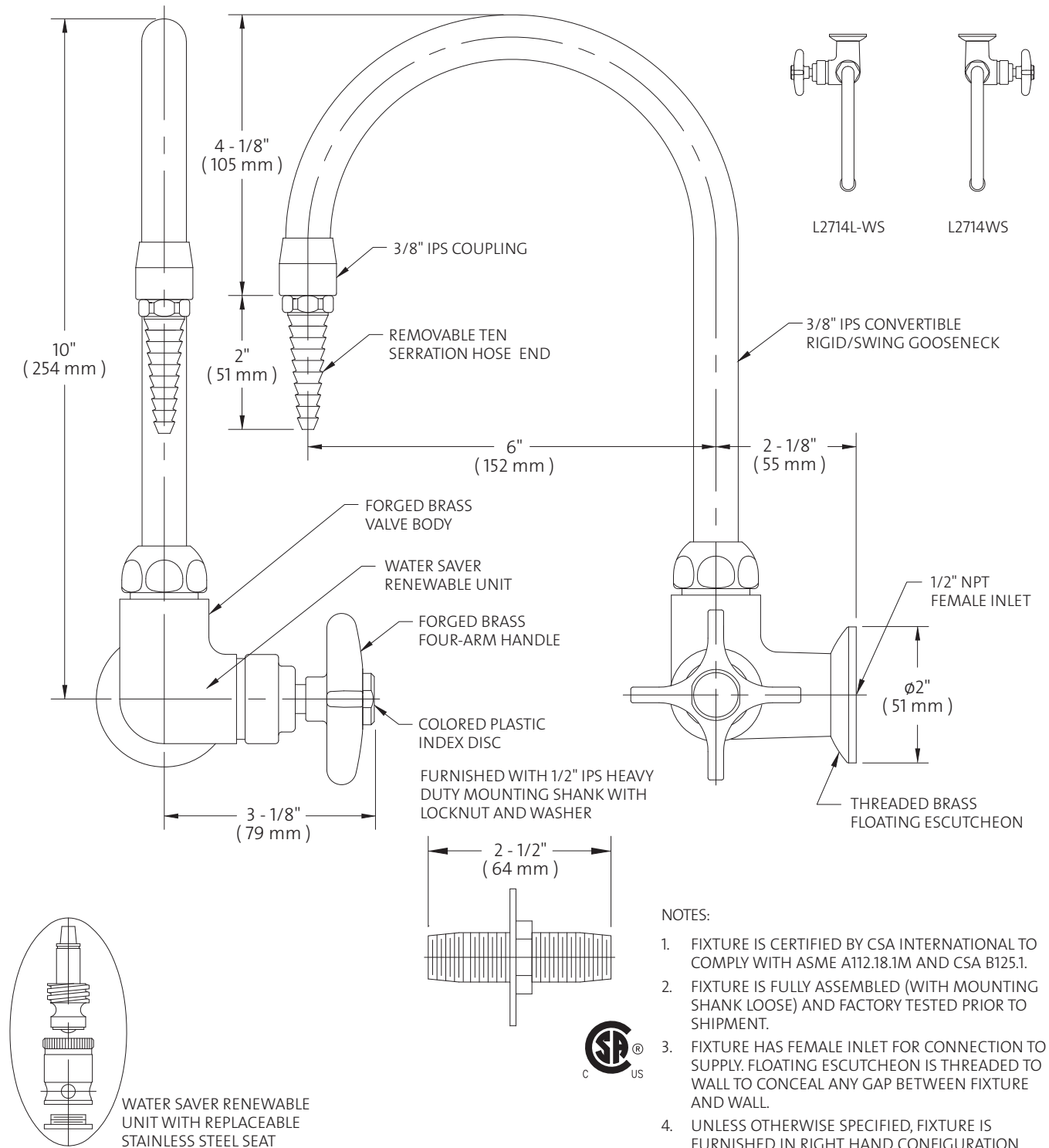
○ L611VB127 Laboratory Single Faucet, Deck Mounted, 6" Rigid Vacuum Breaker Gooseneck, Aspirator



Measurements may vary $\pm 1/4"$.

WaterSaver

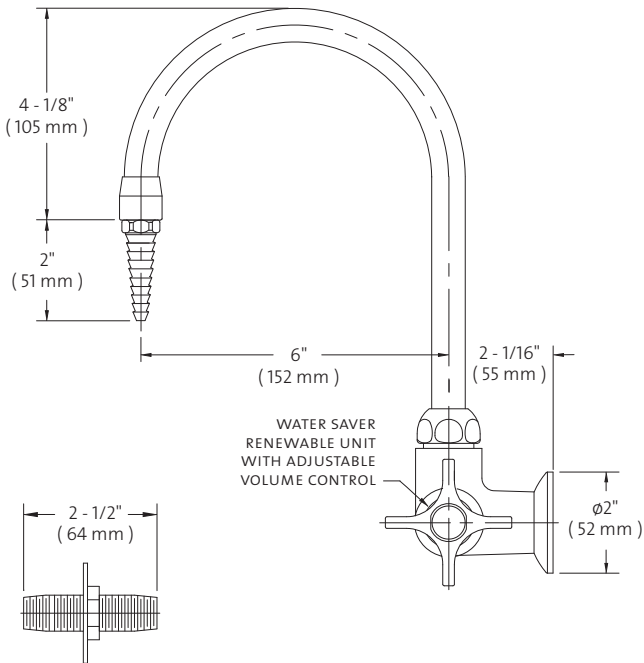
- **L2714WS** Laboratory Single Faucet, Panel Mounted, 6" Rigid/Swing Gooseneck
- **L2714L-WS** Same as Above Except with Handle on Left Side



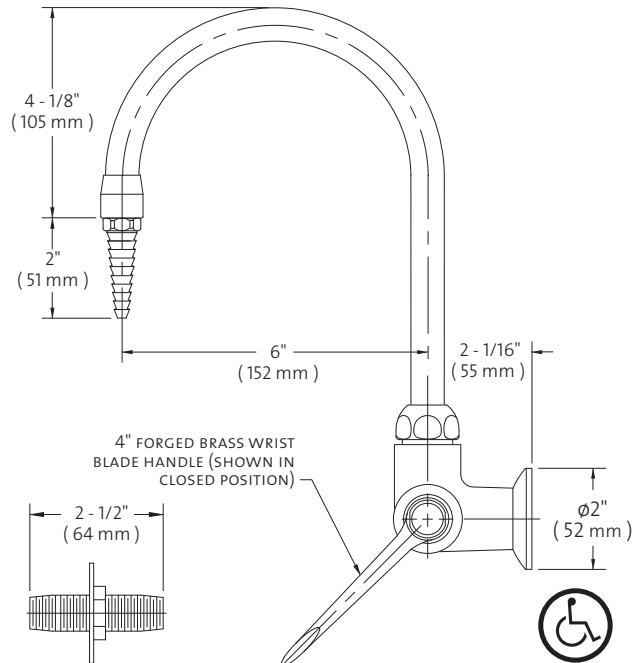
Measurements may vary $\pm 1/4"$.

○ L2714WS Additional Configurations

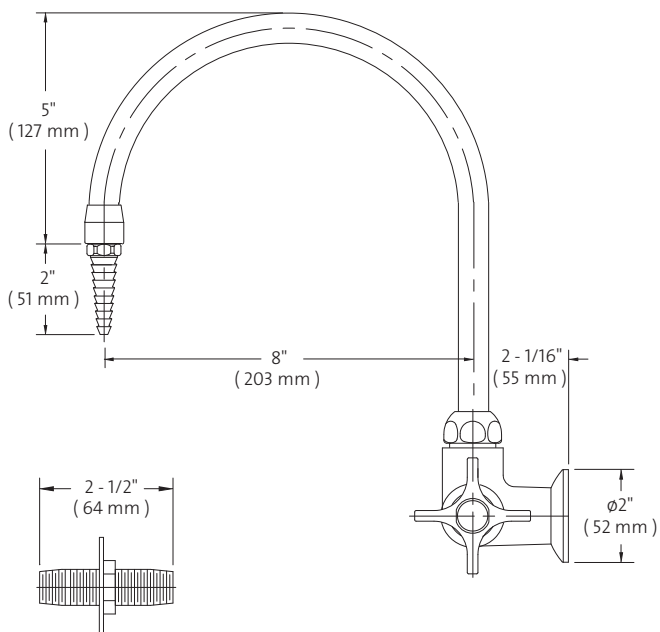
○ LA2714WS Laboratory Single Faucet, Panel Mounted, 6" Rigid/Swing Gooseneck, Adjustable Volume Control



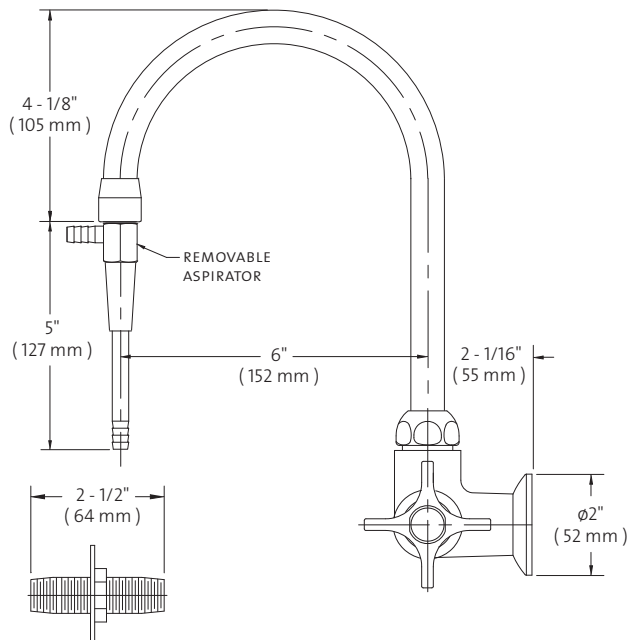
○ L2714BH-WS Laboratory Single Faucet, Panel Mounted, 6" Rigid/Swing Gooseneck, Wrist Blade Handle



○ L2714-8WS Laboratory Single Faucet, Panel Mounted, 8" Rigid/Swing Gooseneck

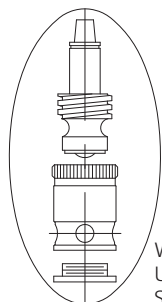
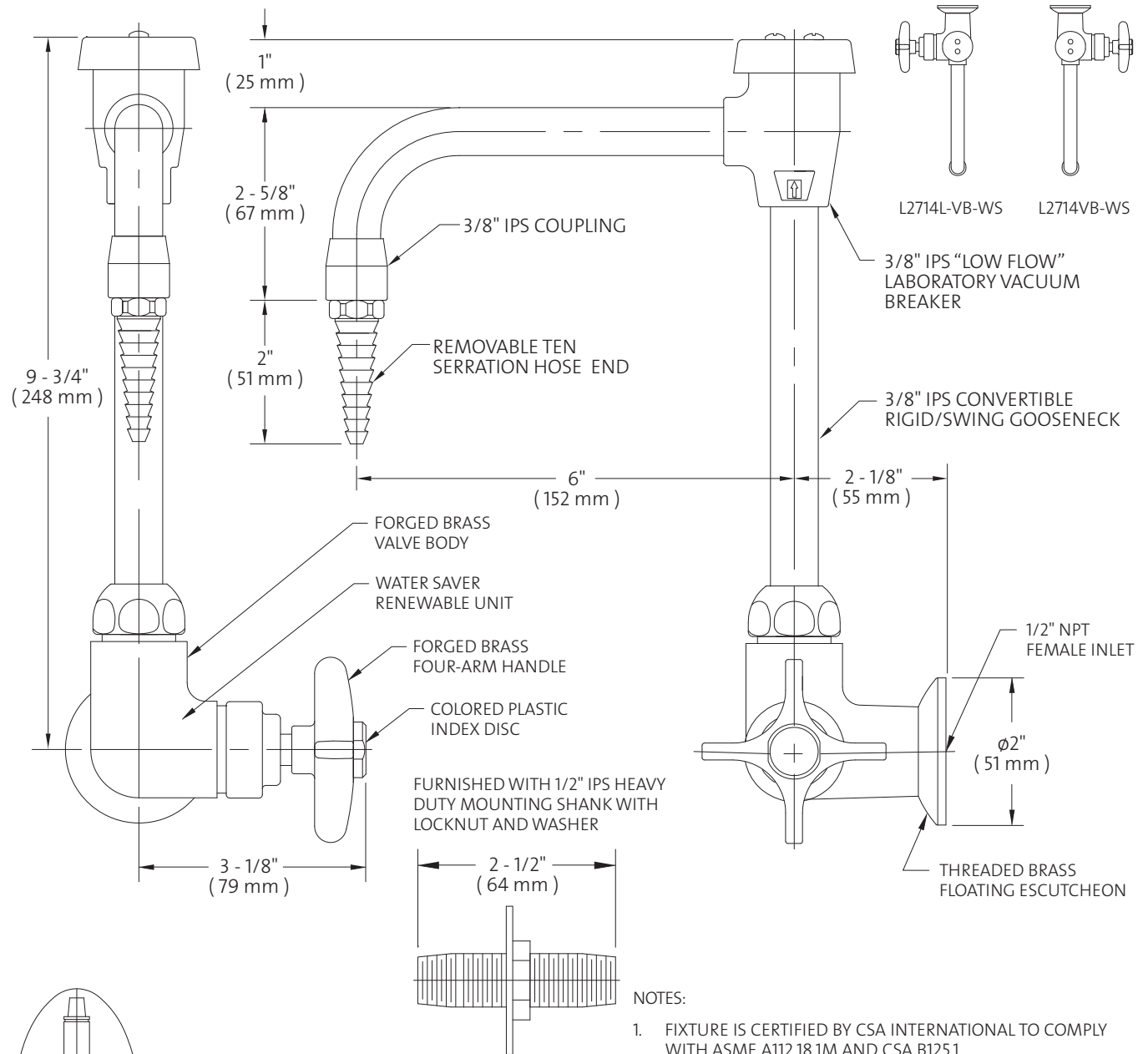


○ L2714-127WS Laboratory Single Faucet, Panel Mounted, 6" Rigid/Swing Gooseneck, Aspirator



Measurements may vary $\pm 1/4$ ".

- **L2714VB-WS** Laboratory Single Faucet, Panel Mounted, 6" Rigid/Swing Vacuum Breaker Gooseneck
- **L2714L-VB-WS** Same as Above Except with Handle on Left Side



WATER SAVER RENEWABLE UNIT WITH REPLACEABLE STAINLESS STEEL SEAT



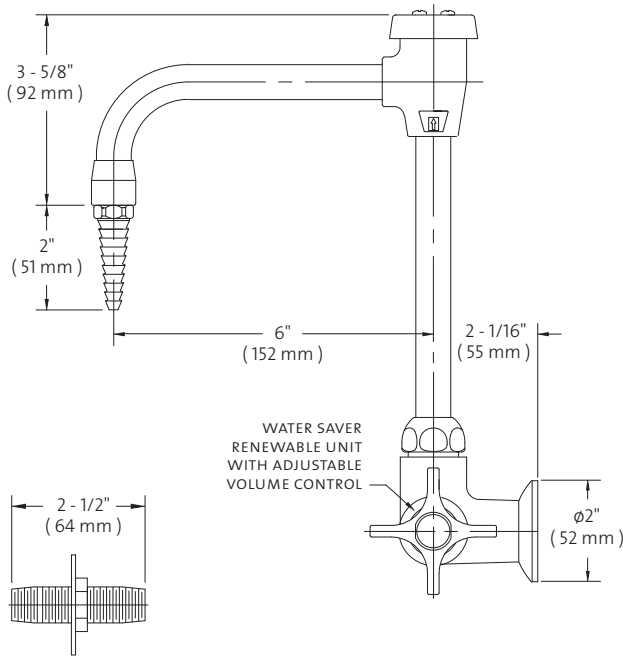
NOTES:

1. FIXTURE IS CERTIFIED BY CSA INTERNATIONAL TO COMPLY WITH ASME A112.18.1M AND CSA B125.1.
2. VACUUM BREAKER IS CERTIFIED TO COMPLY WITH ASSE 1001.
3. FIXTURE HAS FEMALE INLET FOR CONNECTION TO SUPPLY. FLOATING ESCUTCHEON IS THREADED TO WALL TO CONCEAL ANY GAP BETWEEN FIXTURE AND WALL.
4. FIXTURE IS FULLY ASSEMBLED (WITH MOUNTING SHANK LOOSE) AND FACTORY TESTED PRIOR TO SHIPMENT.
5. UNLESS OTHERWISE SPECIFIED, FIXTURE IS FURNISHED IN RIGHT HAND CONFIGURATION.

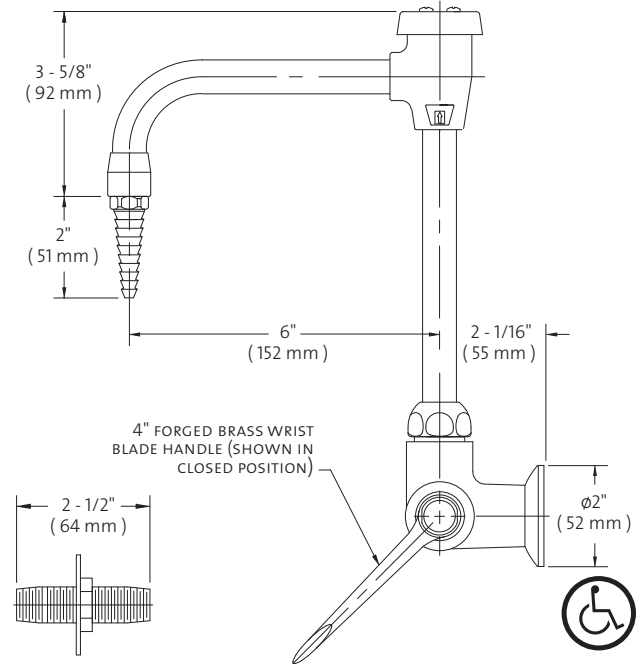
Measurements may vary $\pm 1/4$ ".

○ L2714VB-WS Additional Configurations

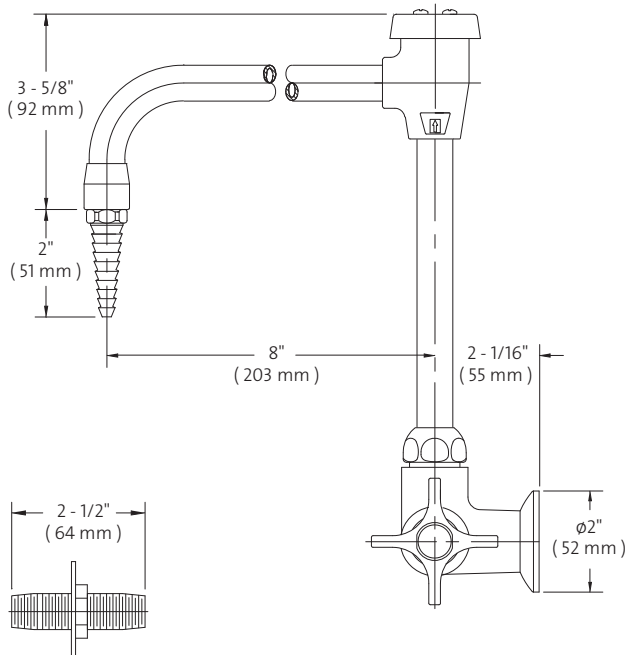
○ LA2714VB-WS Laboratory Single Faucet, Panel Mounted, 6" Rigid/Swing Vacuum Breaker Gooseneck, Adjustable Volume Control



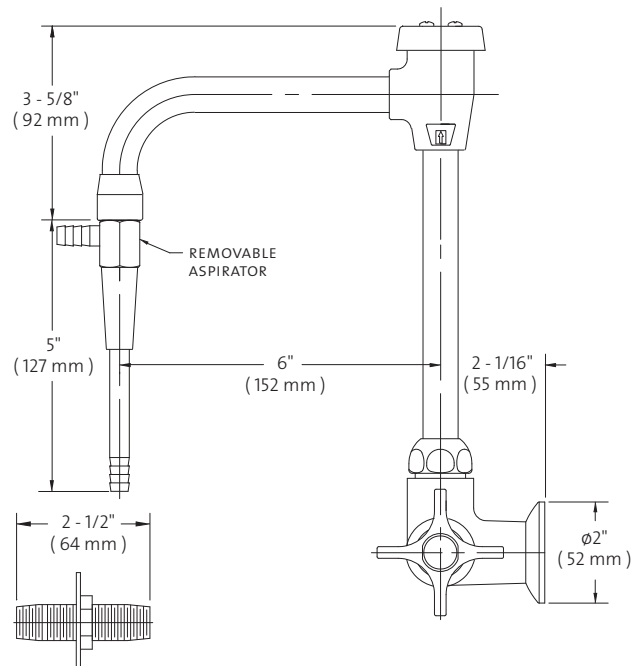
○ L2714VB-BH-WS Laboratory Single Faucet, Panel Mounted, 6" Rigid/Swing Vacuum Breaker Gooseneck, Wrist Blade Handle



○ L2714-8VB-WS Laboratory Single Faucet, Panel Mounted, 8" Rigid/Swing Vacuum Breaker Gooseneck



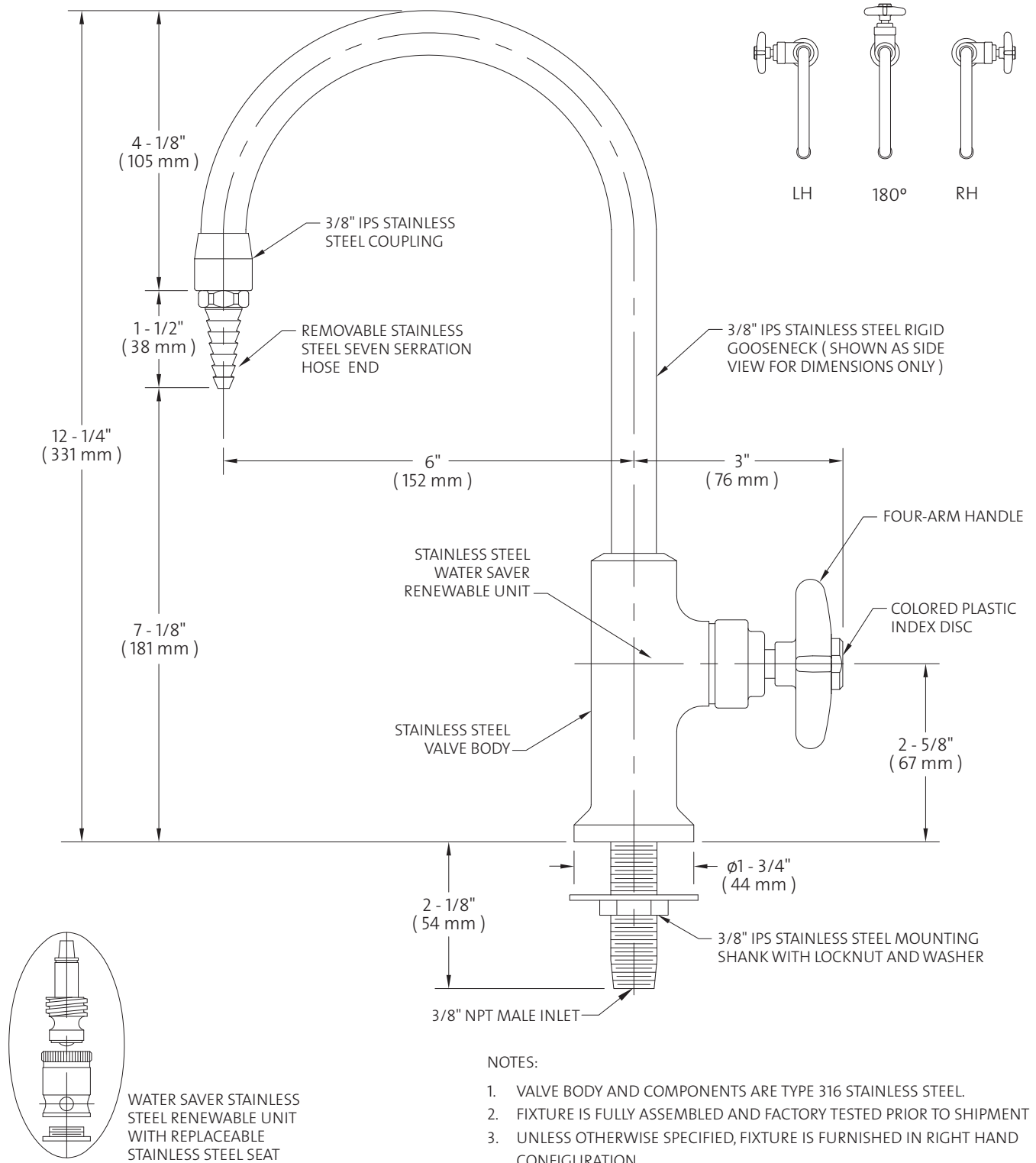
○ L2714VB127WS Laboratory Single Faucet, Panel Mounted, 6" Rigid/Swing Vacuum Breaker Gooseneck, Aspirator



Measurements may vary $\pm 1/4"$.

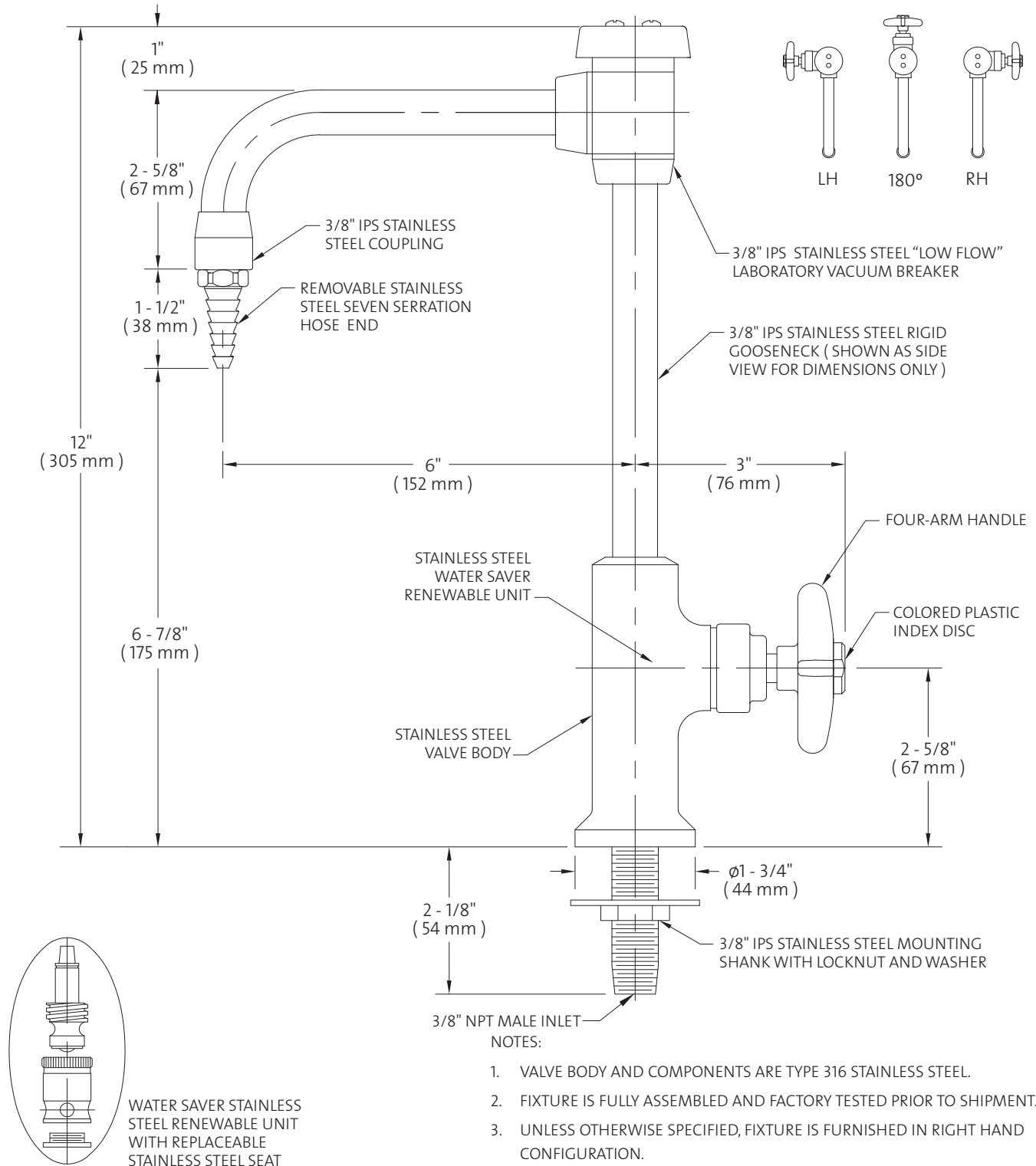
○ **L6611WSA** Stainless Steel Laboratory Single Faucet, Deck Mounted, 6" Rigid Gooseneck

○ **L6614WSA** Same as Above Except with Rigid/Swing Gooseneck



Measurements may vary $\pm 1/4$ ".

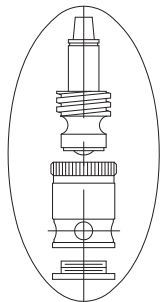
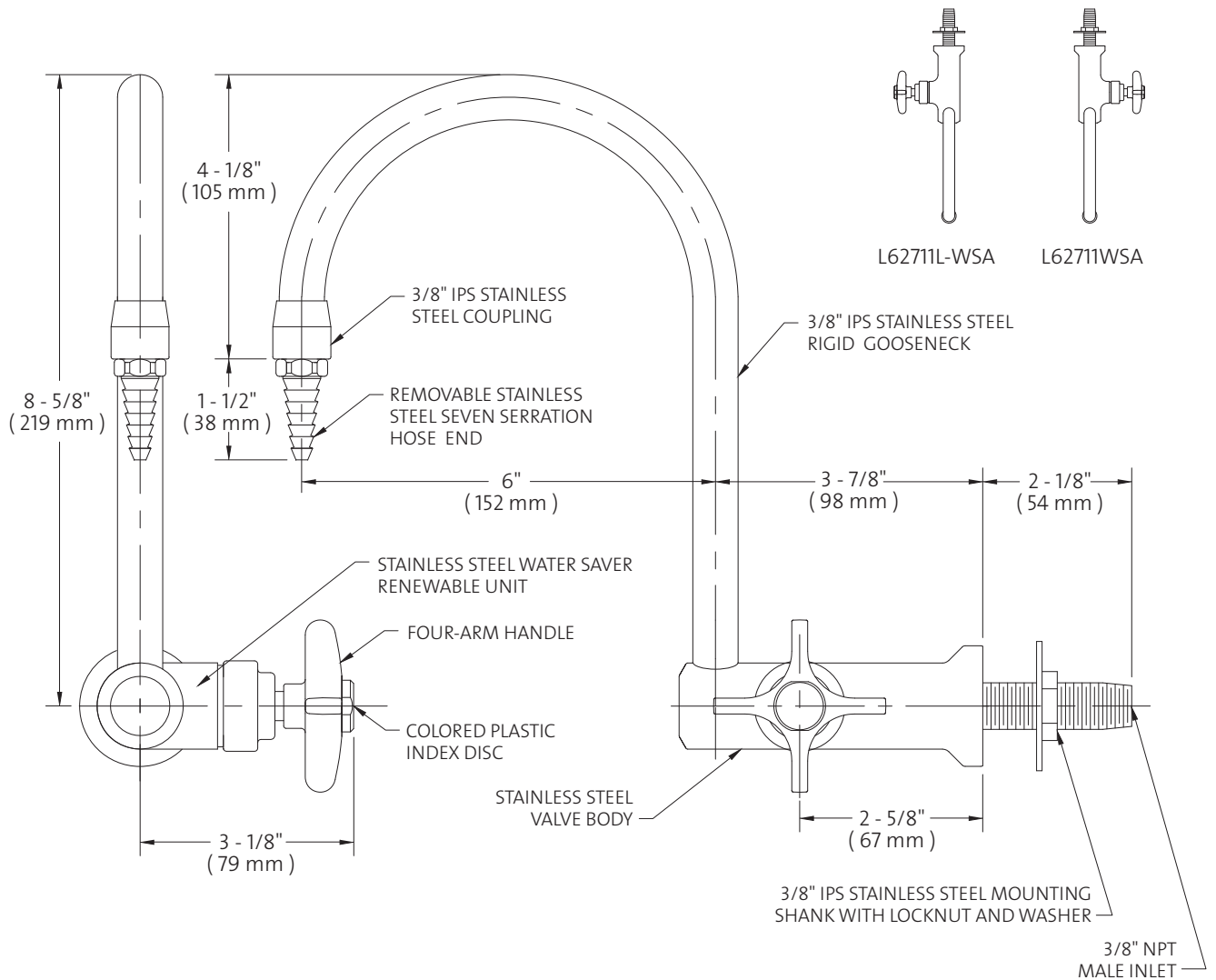
- **L6611VB-WSA** Stainless Steel Laboratory Single Faucet, Deck Mounted, 6" Rigid Vacuum Breaker Gooseneck
- **L6614VB-WSA** Same as Above Except with Rigid/Swing Vacuum Breaker Gooseneck



Measurements may vary ± 1/4".

○ **L62711WSA** Stainless Steel Laboratory Single Faucet, Panel Mounted, 6" Rigid Gooseneck

○ **L62714WSA** Same as Above Except with Rigid/Swing Gooseneck



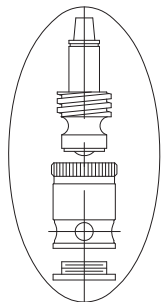
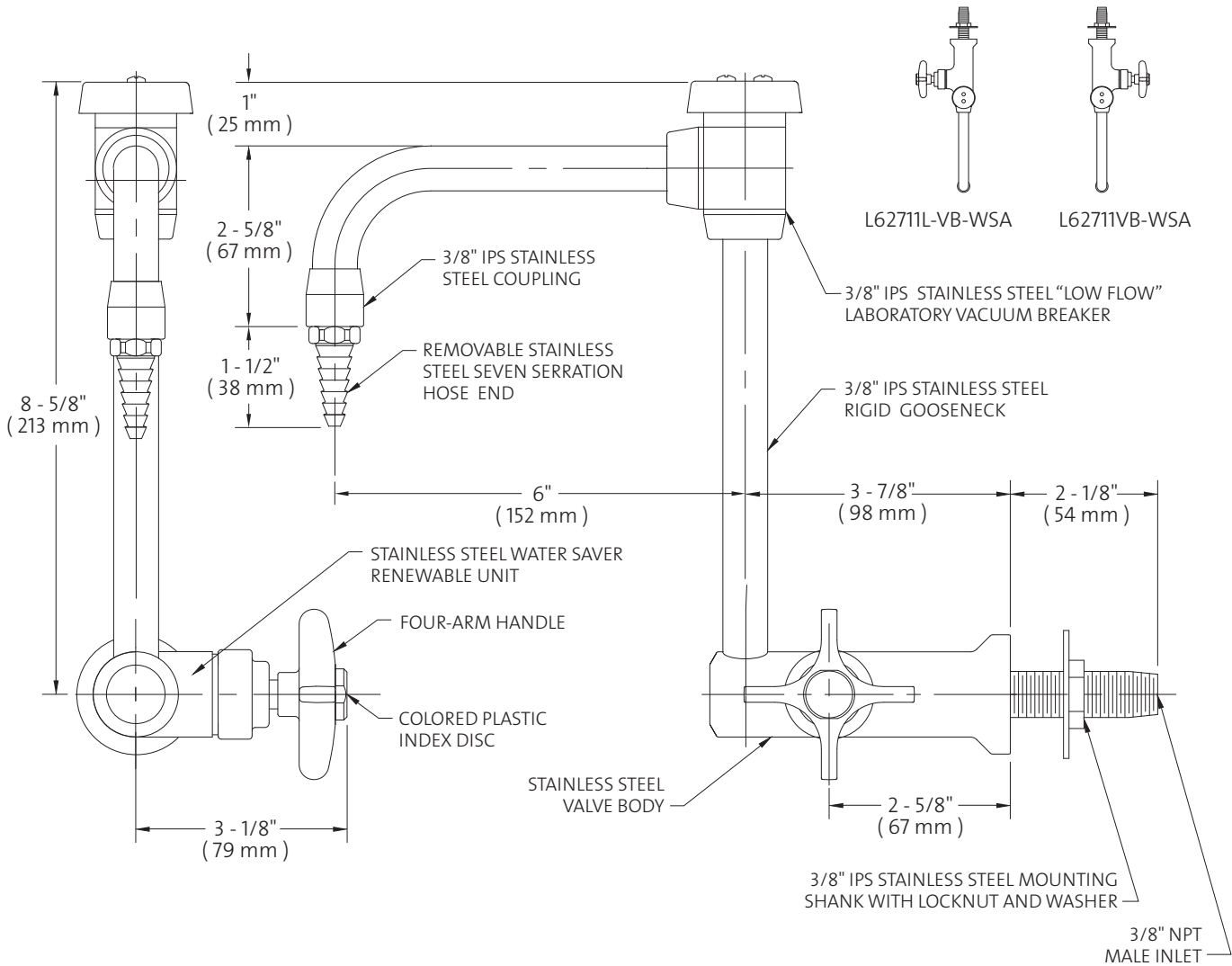
WATER SAVER STAINLESS STEEL RENEWABLE UNIT WITH REPLACEABLE STAINLESS STEEL SEAT

NOTES:

1. VALVE BODY AND COMPONENTS ARE TYPE 316 STAINLESS STEEL.
2. FIXTURE IS FULLY ASSEMBLED AND FACTORY TESTED PRIOR TO SHIPMENT.
3. UNLESS OTHERWISE SPECIFIED, FIXTURE IS FURNISHED IN RIGHT HAND CONFIGURATION.

Measurements may vary $\pm 1/4$ ".

- **L62711VB-WSA** Stainless Steel Laboratory Single Faucet, Panel Mounted, 6" Rigid Vacuum Breaker Gooseneck
- **L62714VB-WSA** Same as Above Except with Rigid/Swing Vacuum Breaker Gooseneck



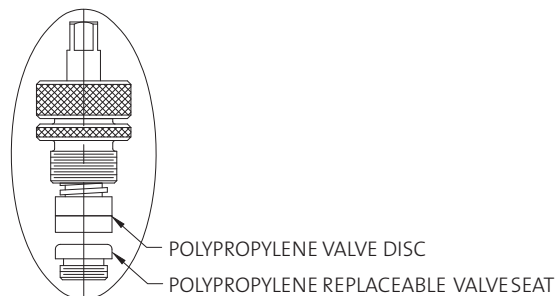
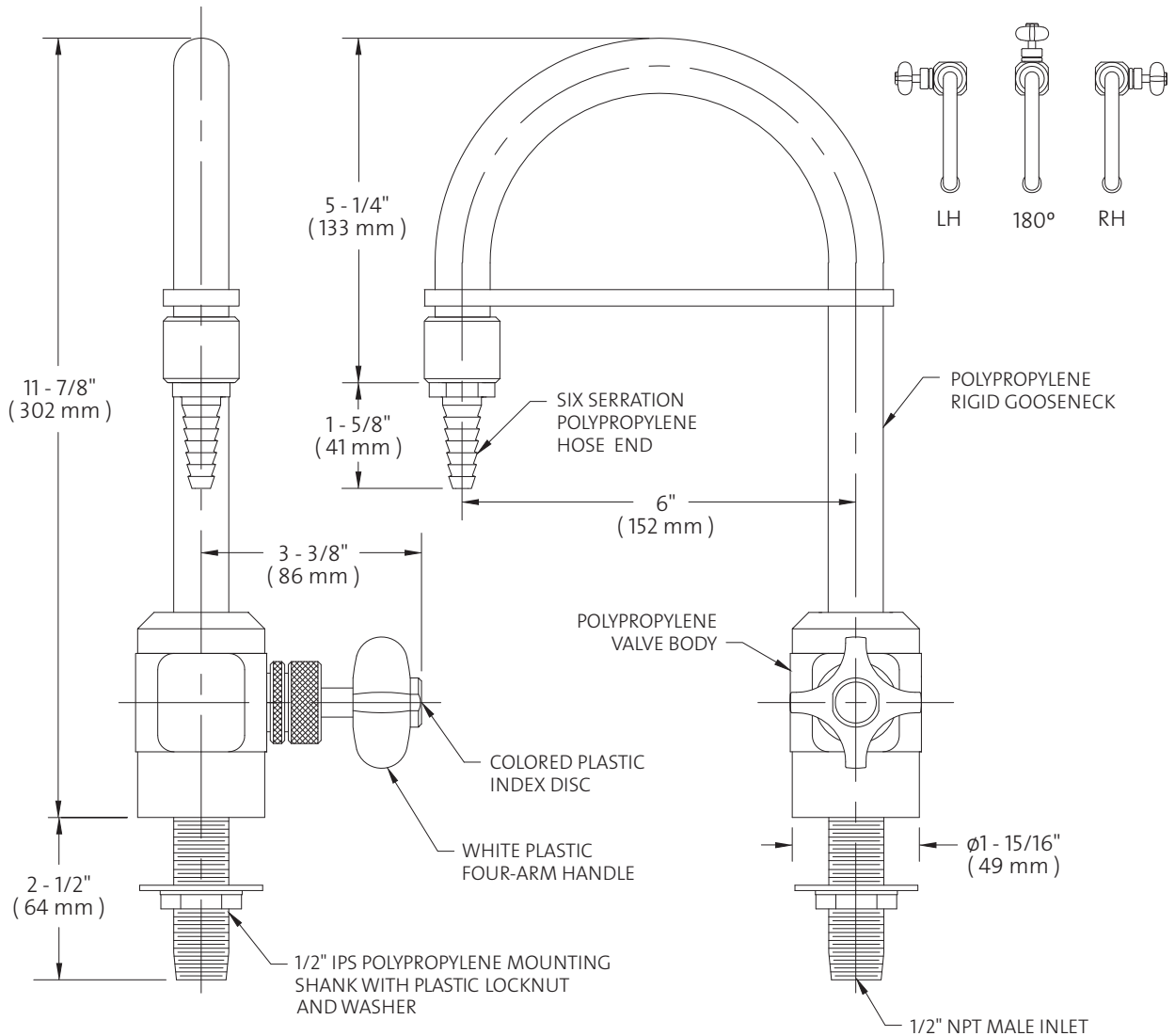
WATER SAVER STAINLESS STEEL RENEWABLE UNIT WITH REPLACEABLE STAINLESS STEEL SEAT

NOTES:

1. VALVE BODY AND COMPONENTS ARE TYPE 316 STAINLESS STEEL.
2. FIXTURE IS FULLY ASSEMBLED AND FACTORY TESTED PRIOR TO SHIPMENT.
3. UNLESS OTHERWISE SPECIFIED, FIXTURE IS FURNISHED IN RIGHT HAND CONFIGURATION.

Measurements may vary $\pm 1/4$ ".

- **L7611WSA-PP** Polypropylene Laboratory Single Faucet, Deck Mounted, 6" Rigid Gooseneck
- **L7614WSA-PP** Same as Above Except with Rigid/Swing Gooseneck

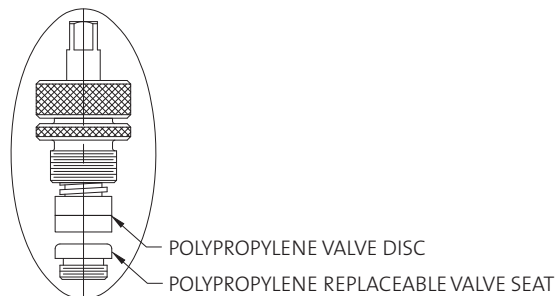
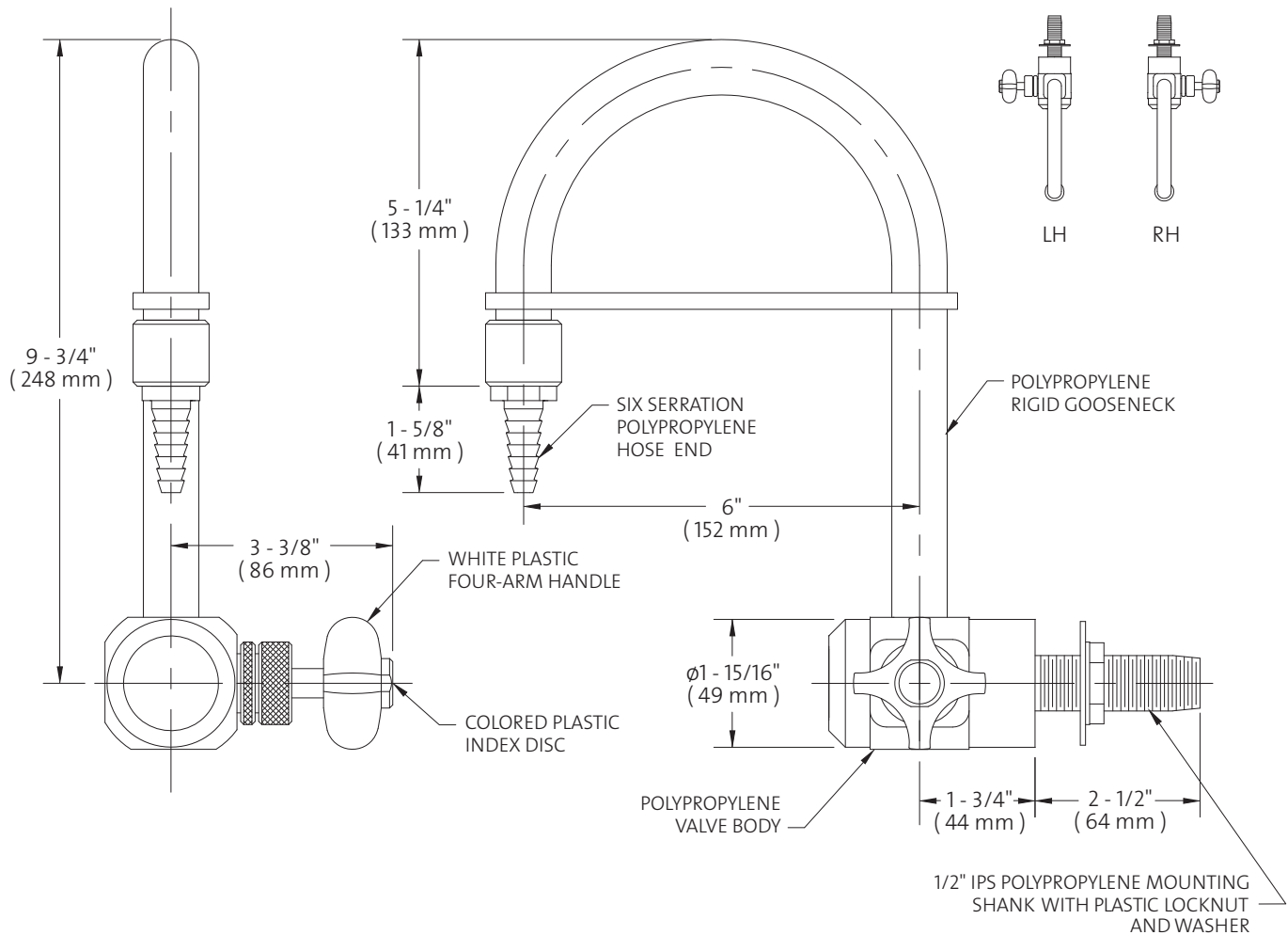


NOTES:

1. FIXTURE HAS NONMETALLIC CONSTRUCTION. ALL COMPONENTS IN CONTACT WITH WATER ARE INERT POLYPROPYLENE. IF ALL-PVDF CONSTRUCTION IS REQUIRED, ADD SUFFIX "PDVF".
2. IF POLYPROPYLENE VACCUUM BREAKER IS REQUIRED, ADD SUFFIX "VB".
3. FIXTURE IS FULLY ASSEMBLED AND FACTORY TESTED PRIOR TO SHIPMENT.
4. UNLESS OTHERWISE SPECIFIED FIXTURE IS FURNISHED IN RIGHT HAND CONFIGURATION .

Measurements may vary $\pm 1/4$ ".

- **L72711WSA-PP** Polypropylene Laboratory Single Faucet, Panel Mounted, 6" Rigid Gooseneck
- **L72714WSA-PP** Same as Above Except with Rigid/Swing Gooseneck



Measurements may vary $\pm 1/4"$.

NOTES:

1. FIXTURE HAS NONMETALLIC CONSTRUCTION. ALL COMPONENTS IN CONTACT WITH WATER ARE INERT POLYPROPYLENE. IF ALL-PVDF CONSTRUCTION IS REQUIRED, ADD SUFFIX "PDVF".
2. IF POLYPROPYLENE VACCUM BREAKER IS REQUIRED, ADD SUFFIX "VB".
3. FIXTURE IS FULLY ASSEMBLED AND FACTORY TESTED PRIOR TO SHIPMENT.
4. UNLESS OTHERWISE SPECIFIED, FIXTURE IS FURNISHED IN RIGHT HAND CONFIGURATION.