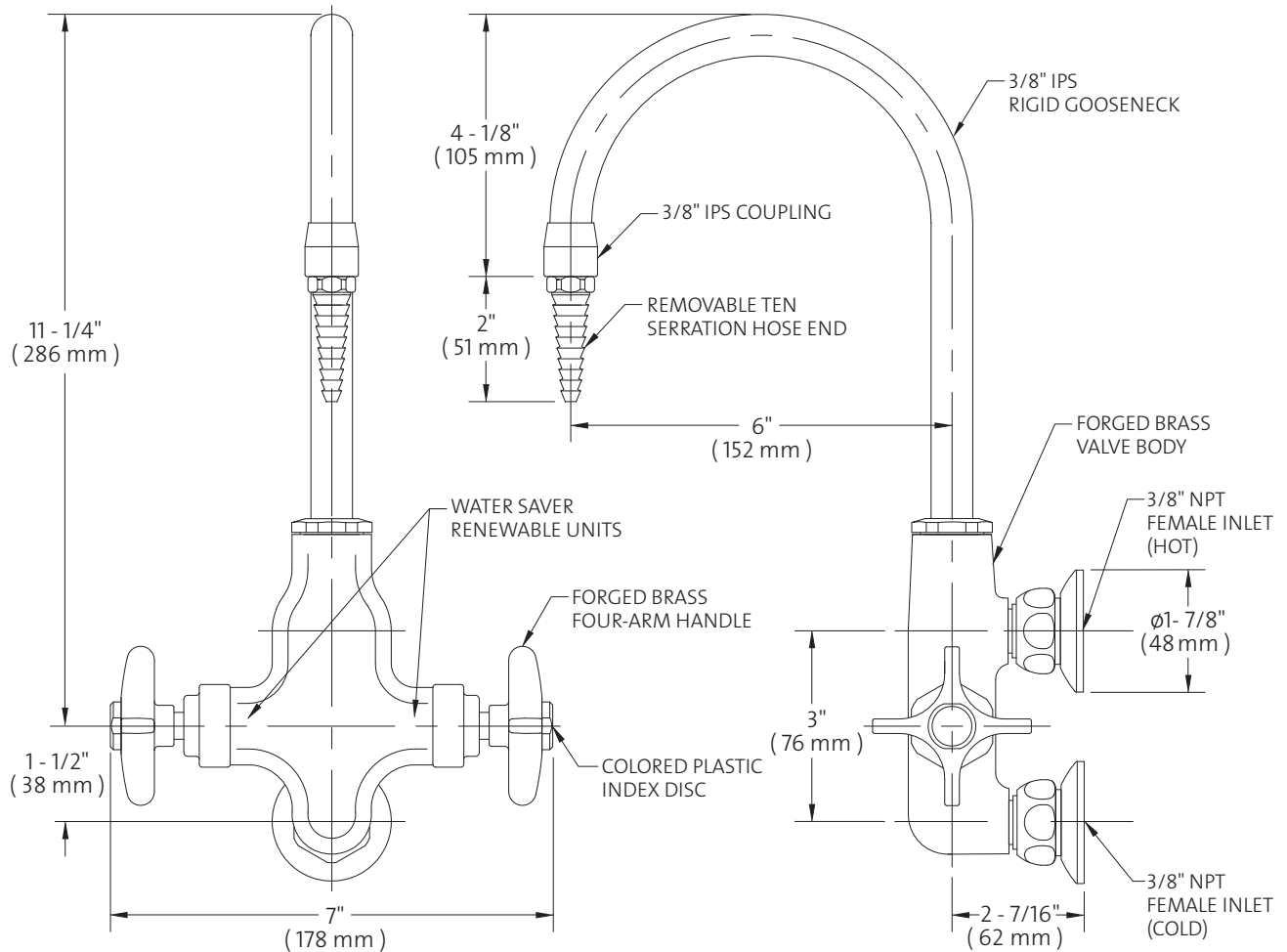
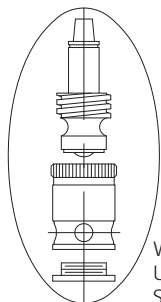
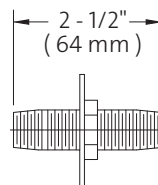


- **L211WS** Laboratory Mixing Faucet, Panel Mounted, 6" Rigid Gooseneck, Mounting Shanks
- **L212WS** Same as Above Except with Swing Gooseneck
- **L214WS** Same as Above Except with Rigid/Swing Gooseneck



FURNISHED WITH (2) 3/8" IPS MOUNTING SHANKS WITH LOCKNUTS AND WASHERS



WATER SAVER RENEWABLE UNIT WITH REPLACEABLE STAINLESS STEEL SEAT

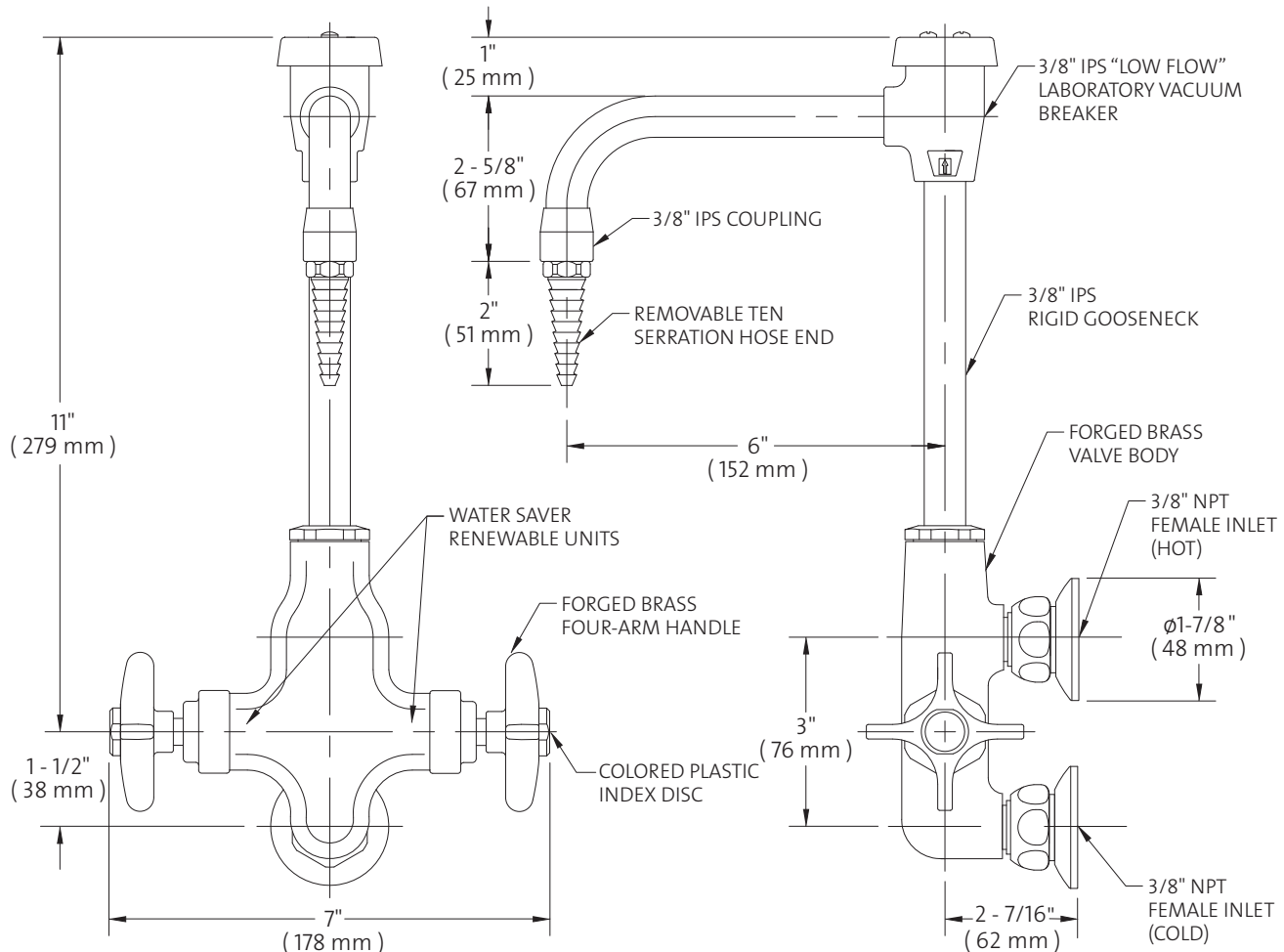


NOTES:

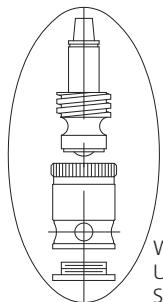
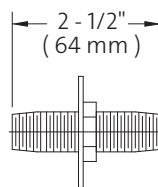
1. FIXTURE IS CERTIFIED BY CSA INTERNATIONAL TO COMPLY WITH ASME A112.18.1M AND CSA B125.1
2. FIXTURE IS FULLY ASSEMBLED (WITH MOUNTING SHANKS LOOSE) AND FACTORY TESTED PRIOR TO SHIPMENT. IF MOUNTING SHANKS ARE TO BE ASSEMBLED, USE SUFFIX "WSA".

Measurements may vary $\pm 1/4$ ".

- **L211VB-WS** Laboratory Mixing Faucet, Panel Mounted, 6" Rigid Vacuum Breaker Gooseneck, Mounting Shanks
- **L212VB-WS** Same as Above Except with Swing Vacuum Breaker Gooseneck
- **L214VB-WS** Same as Above Except with Rigid/Swing Vacuum Breaker Gooseneck



FURNISHED WITH (2) 3/8" IPS MOUNTING SHANKS WITH LOCKNUTS AND WASHERS



WATER SAVER RENEWABLE UNIT WITH REPLACEABLE STAINLESS STEEL SEAT

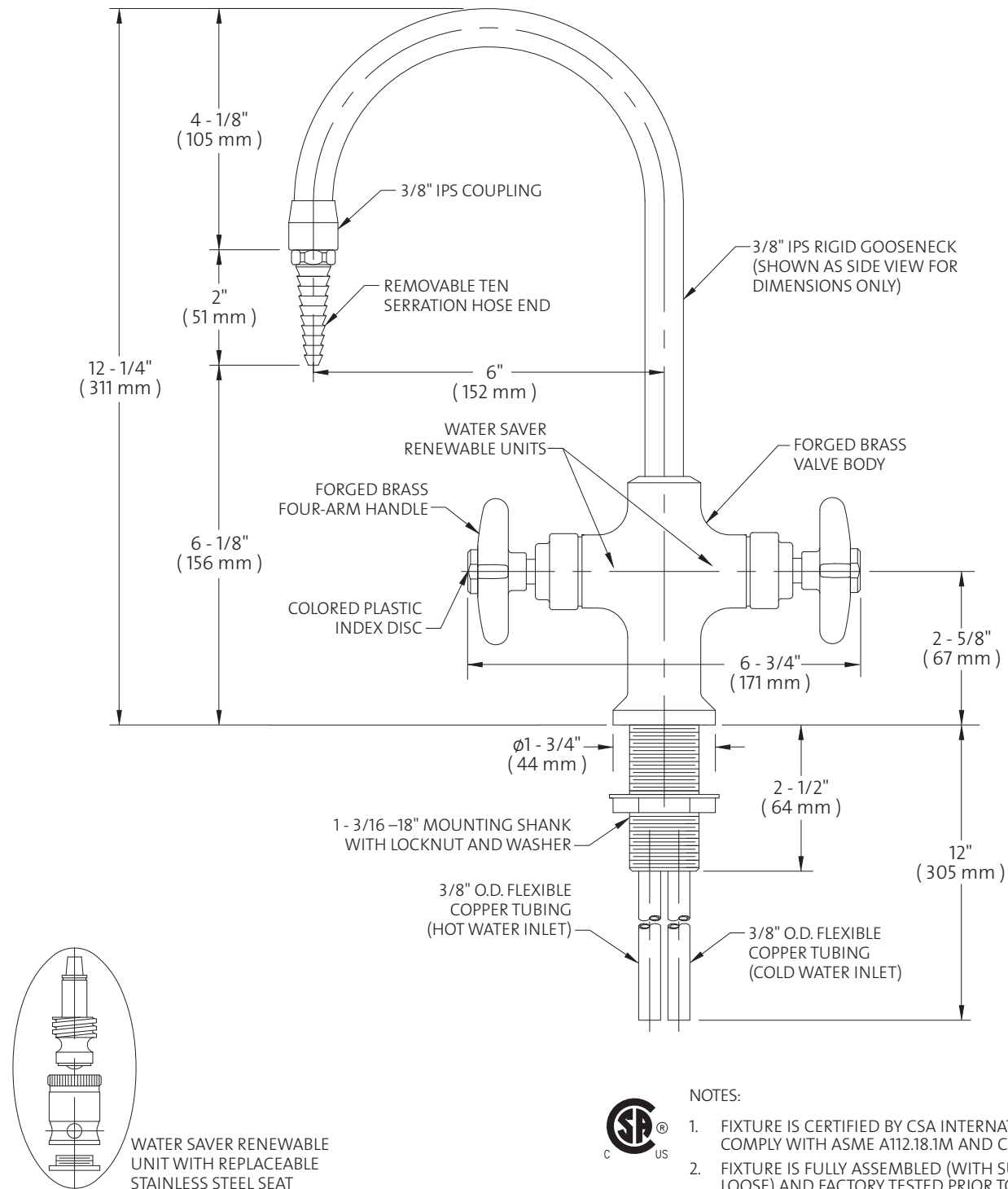


NOTES:

1. FIXTURE IS CERTIFIED BY CSA INTERNATIONAL TO COMPLY WITH ASME A112.18.1M AND CSA B125.1
2. VACUUM BREAKER IS CERTIFIED TO COMPLY WITH ASSE 1001.
3. FIXTURE IS FULLY ASSEMBLED (WITH MOUNTING SHANKS LOOSE) AND FACTORY TESTED PRIOR TO SHIPMENT. IF MOUNTING SHANKS ARE TO BE ASSEMBLED, USE SUFFIX "WSA".

Measurements may vary ± 1/4".

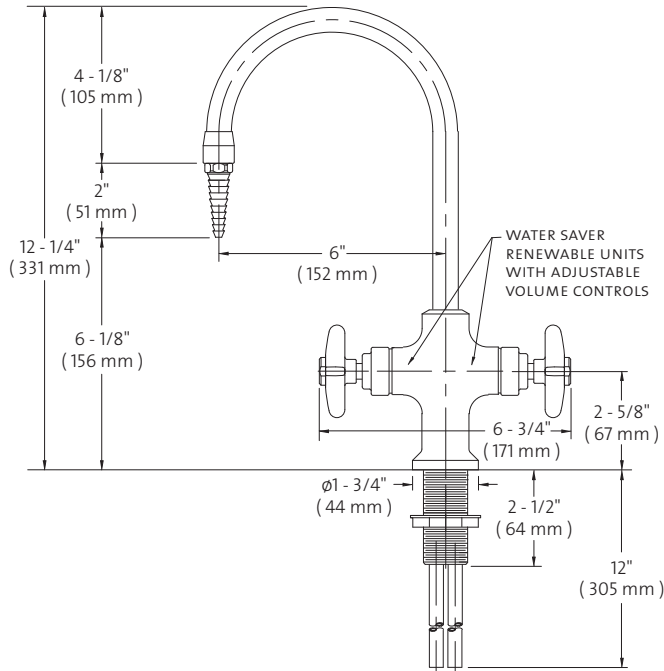
- **L411** Laboratory Mixing Faucet, Deck Mounted, 6" Rigid Gooseneck
- **L412** Same as Above Except with Swing Gooseneck
- **L414** Same as Above Except with Rigid/Swing Gooseneck



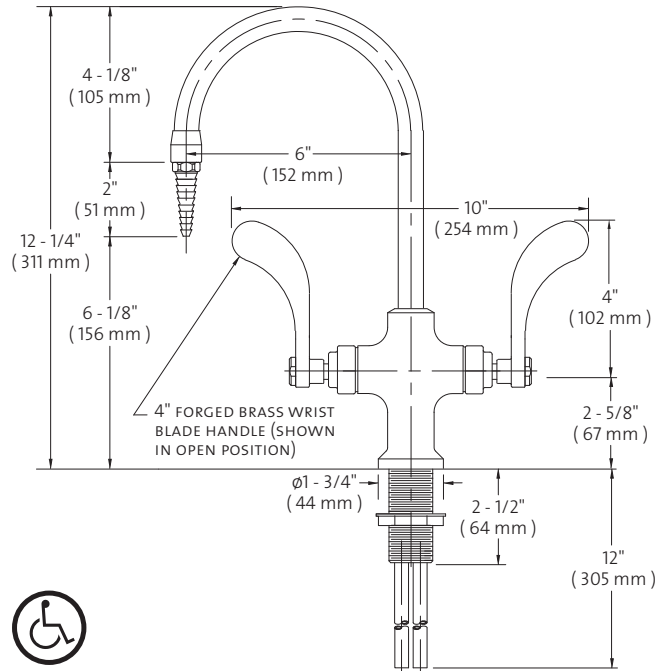
Measurements may vary $\pm 1/4$ ".

○ L411 / L412 / L414 Additional Configurations

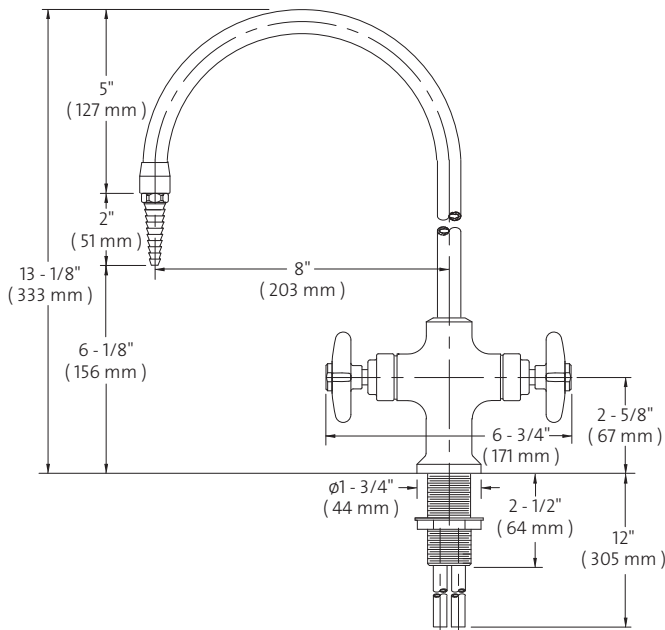
○ LA411 Laboratory Mixing Faucet, Deck Mounted, 6" Rigid Gooseneck, Adjustable Volume Controls



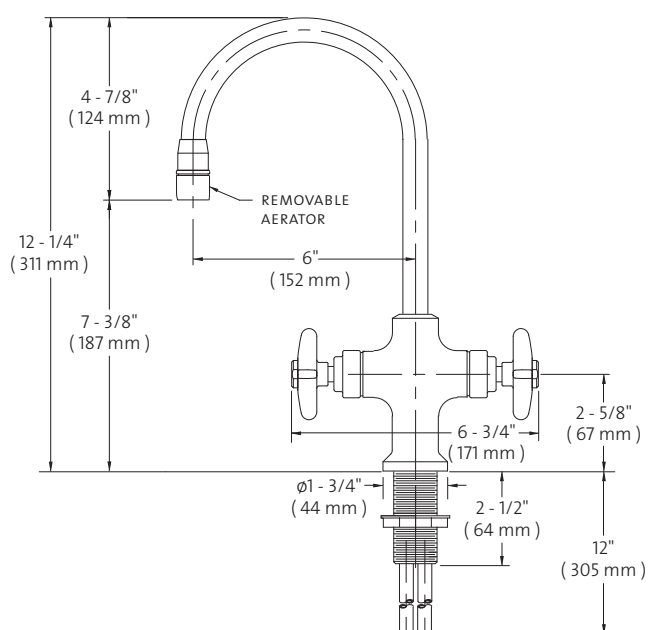
○ L411BH Laboratory Mixing Faucet, Deck Mounted, 6" Rigid Gooseneck, Wrist Blade Handles



○ L411-8 Laboratory Mixing Faucet, Deck Mounted, 8" Rigid Gooseneck

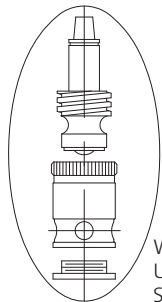
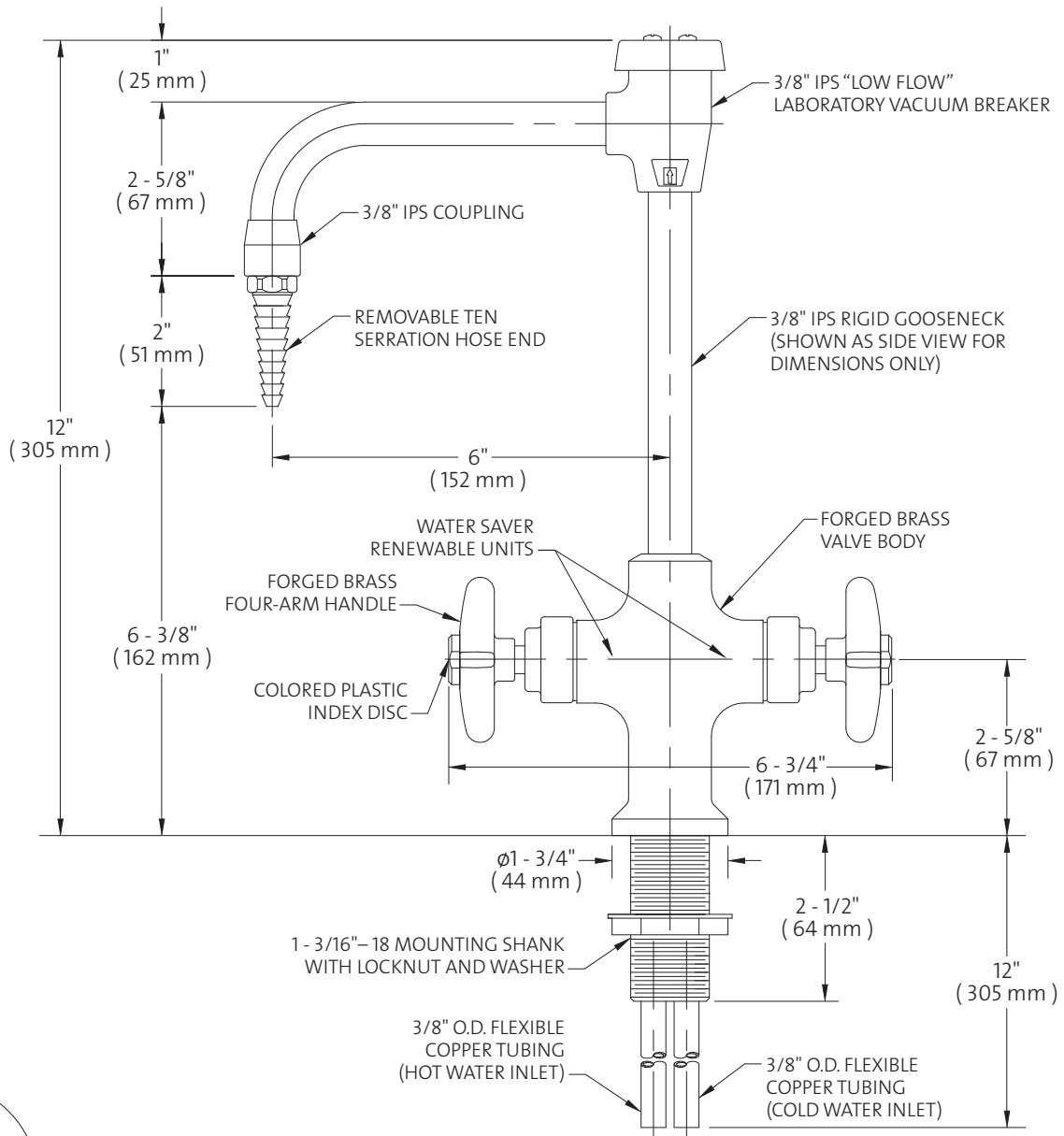


○ L411-55 Laboratory Mixing Faucet, Deck Mounted, 6" Rigid Gooseneck, Aerator



Measurements may vary $\pm 1/4"$.

- **L411VB** Laboratory Mixing Faucet, Deck Mounted, 6" Rigid Vacuum Breaker Gooseneck
- **L412VB** Same as Above Except with Swing Vacuum Breaker Gooseneck
- **L414VB** Same as Above Except with Rigid/Swing Vacuum Breaker Gooseneck



WATER SAVER RENEWABLE UNIT WITH REPLACEABLE STAINLESS STEEL SEAT



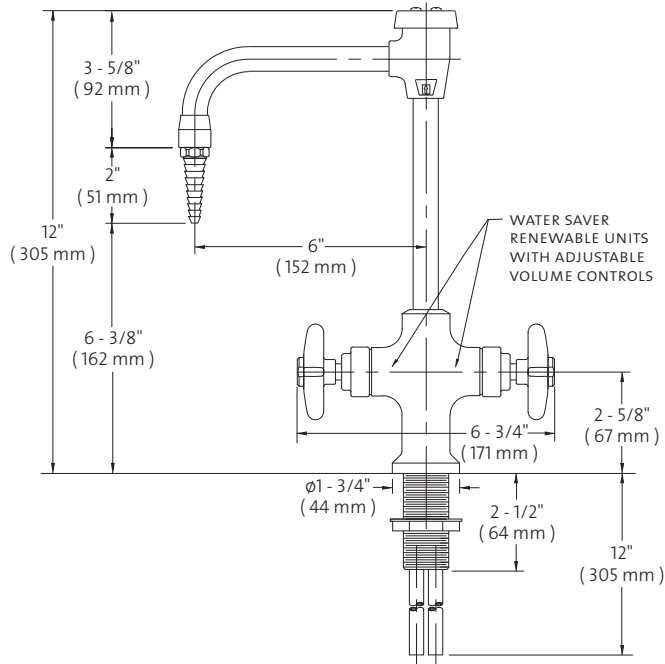
NOTES:

1. FIXTURE IS CERTIFIED BY CSA INTERNATIONAL TO COMPLY WITH ASME A112.18.1M AND CSA B125.1.
2. VACUUM BREAKER IS CERTIFIED TO COMPLY WITH ASSE 1001.
3. FIXTURE IS FULLY ASSEMBLED (WITH SUPPLY TUBES LOOSE) AND FACTORY TESTED PRIOR TO SHIPMENT.

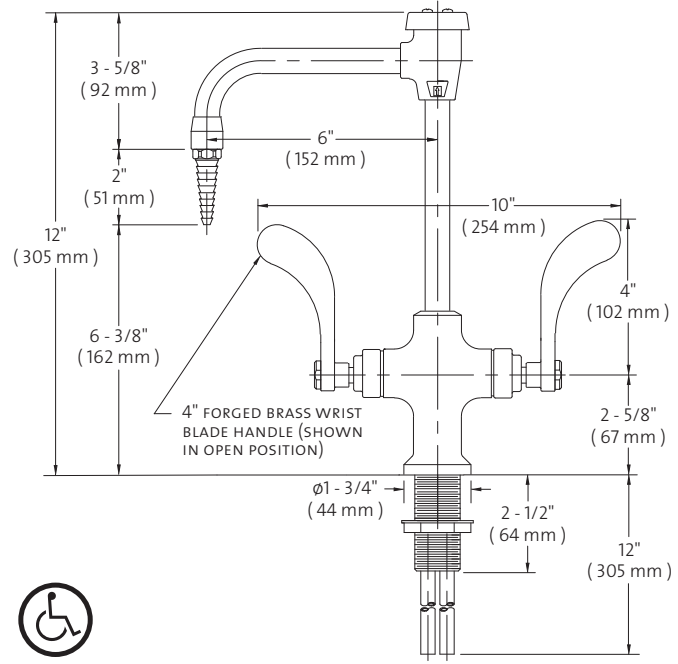
Measurements may vary $\pm 1/4$ ".

○ **L411VB / L412VB / L414VB** Additional Configurations

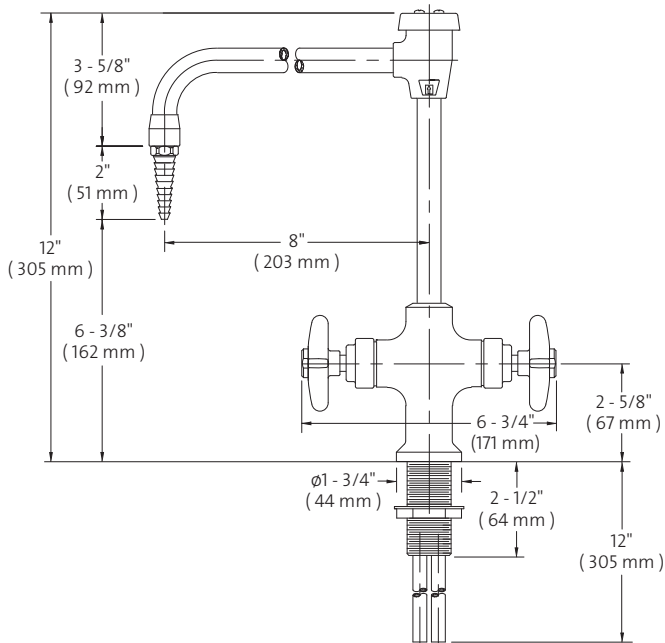
○ **LA411VB** Laboratory Mixing Faucet, Deck Mounted, 6" Rigid Vacuum Breaker Gooseneck, Adjustable Volume Controls



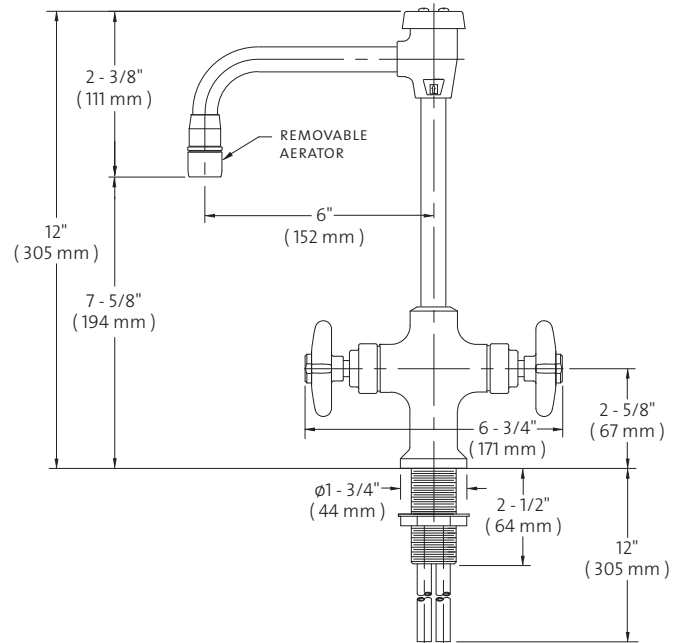
○ **L411VB-BH** Laboratory Mixing Faucet, Deck Mounted, 6" Rigid Vacuum Breaker Gooseneck, Wrist Blade Handles



○ **L411-8VB** Laboratory Mixing Faucet, Deck Mounted, 8" Rigid Vacuum Breaker Gooseneck

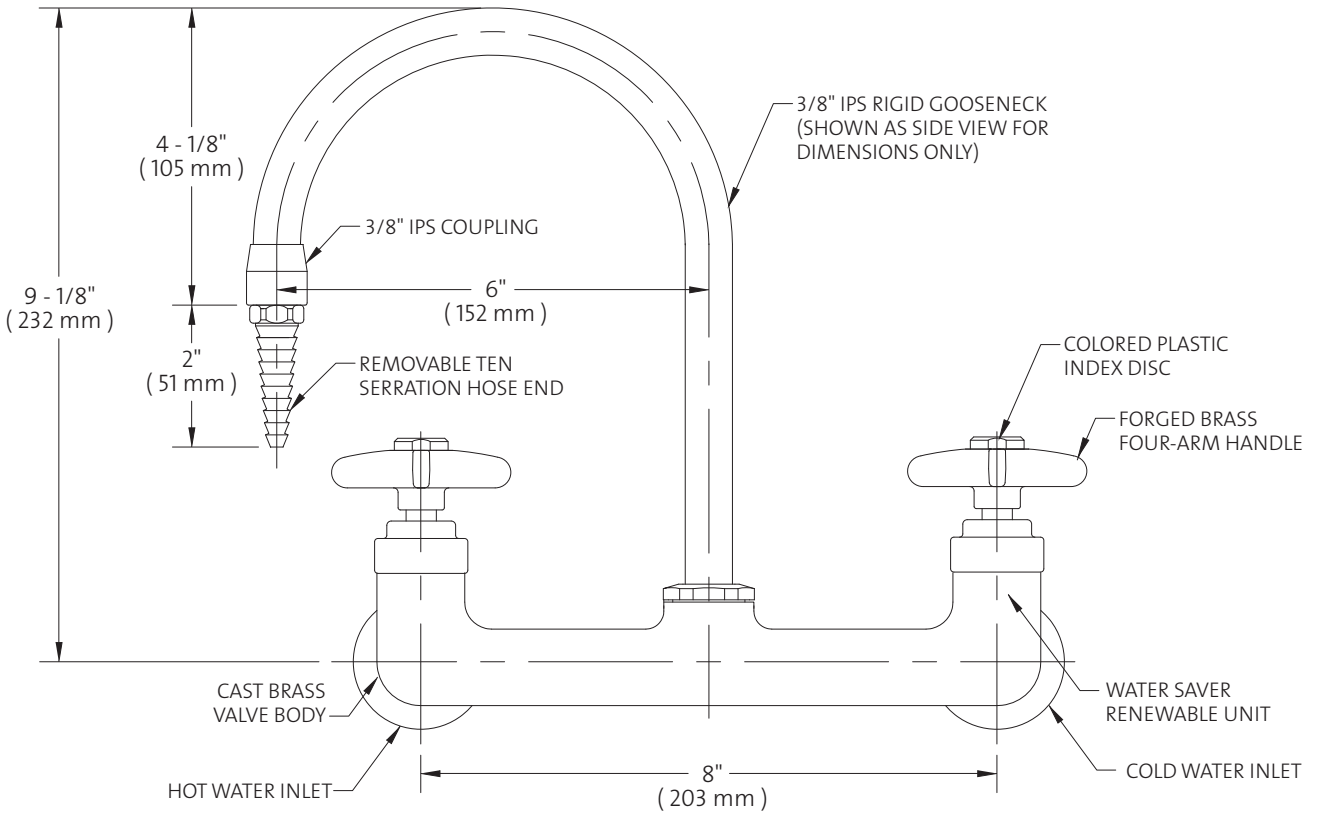


○ **L411VB55** Laboratory Mixing Faucet, Deck Mounted, 6" Rigid Vacuum Breaker Gooseneck, Aerator

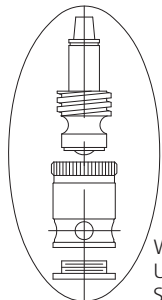
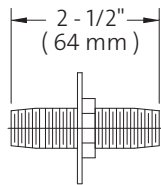


Measurements may vary $\pm 1/4"$.

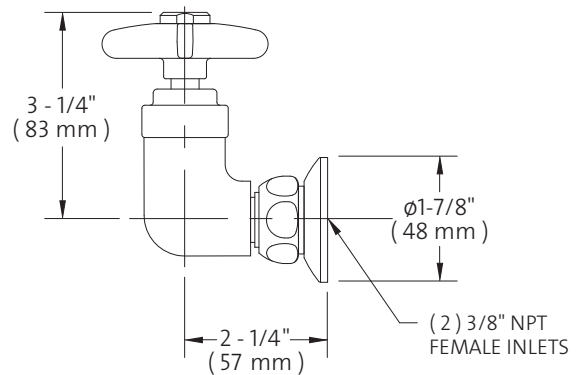
- **L511WS** Laboratory Mixing Faucet, Panel Mounted, 6" Rigid Gooseneck, Mounting Shanks
- **L512WS** Same as Above Except with Swing Gooseneck
- **L514WS** Same as Above Except with Rigid/Swing Gooseneck



FURNISHED WITH (2) 3/8" IPS MOUNTING SHANKS WITH LOCKNUTS AND WASHERS



WATER SAVER RENEWABLE UNIT WITH REPLACEABLE STAINLESS STEEL SEAT



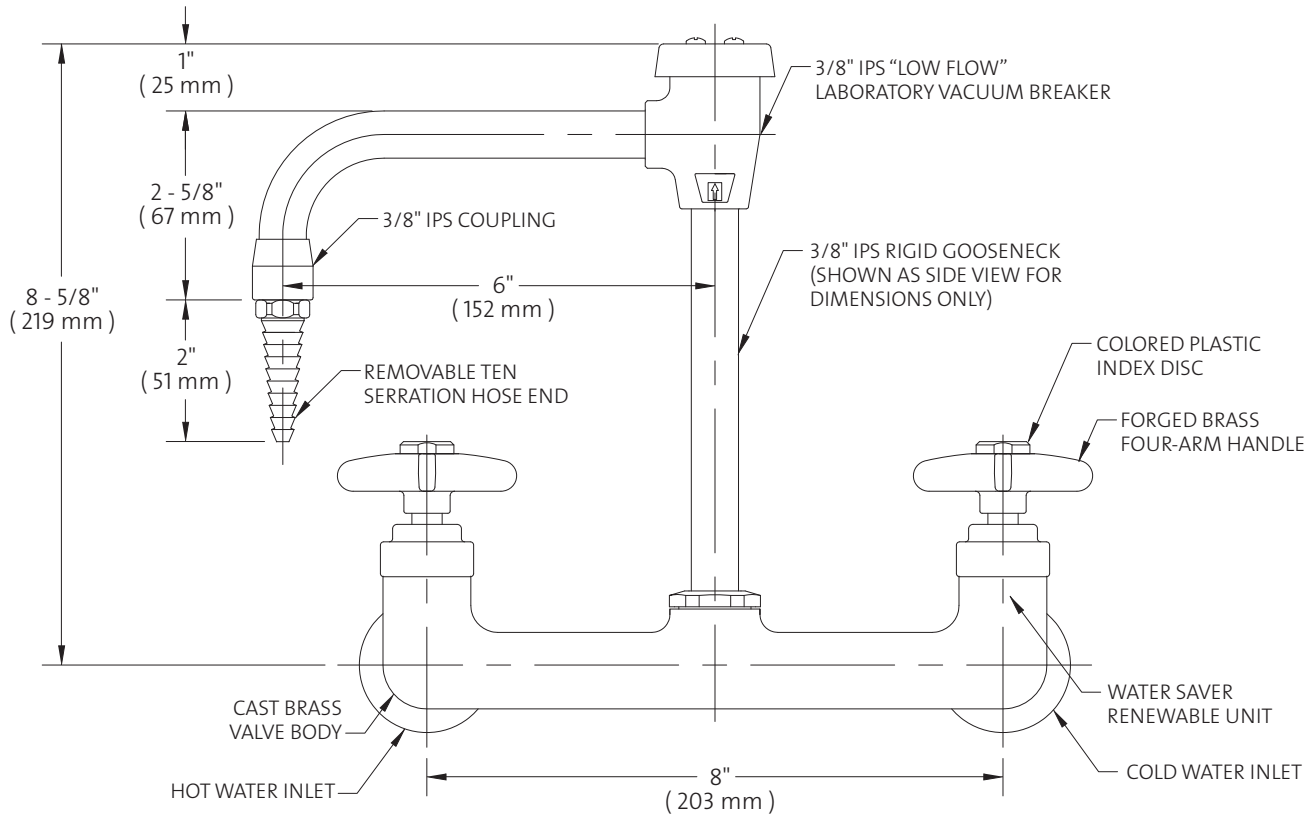
NOTES:



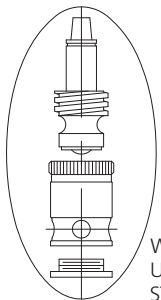
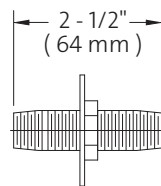
1. FIXTURE IS CERTIFIED BY CSA INTERNATIONAL TO COMPLY WITH ASME A112.18.1M AND CSA B125.1.
2. FIXTURE IS FULLY ASSEMBLED (WITH MOUNTING SHANKS LOOSE) AND FACTORY TESTED PRIOR TO SHIPMENT. IF MOUNTING SHANKS ARE TO BE ASSEMBLED, USE SUFFIX "WSA".

Measurements may vary $\pm 1/4$ ".

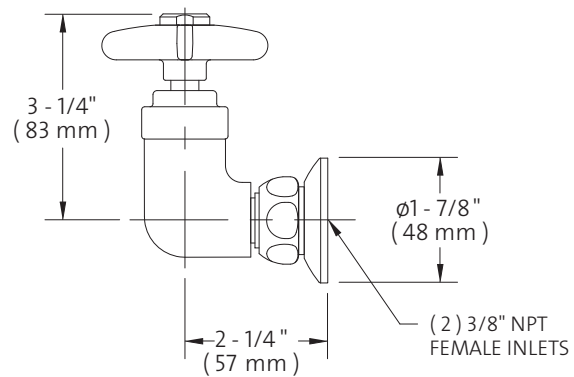
- **L511VB-WS** Laboratory Mixing Faucet, Panel Mounted, 6" Rigid Vacuum Breaker Gooseneck, Mounting Shanks
- **L512VB-WS** Same as Above Except with Swing Vacuum Breaker Gooseneck
- **L514VB-WS** Same as Above Except with Rigid/Swing Vacuum Breaker Gooseneck



FURNISHED WITH (2) 3/8" IPS MOUNTING SHANKS WITH LOCKNUTS AND WASHERS



WATER SAVER RENEWABLE UNIT WITH REPLACEABLE STAINLESS STEEL SEAT

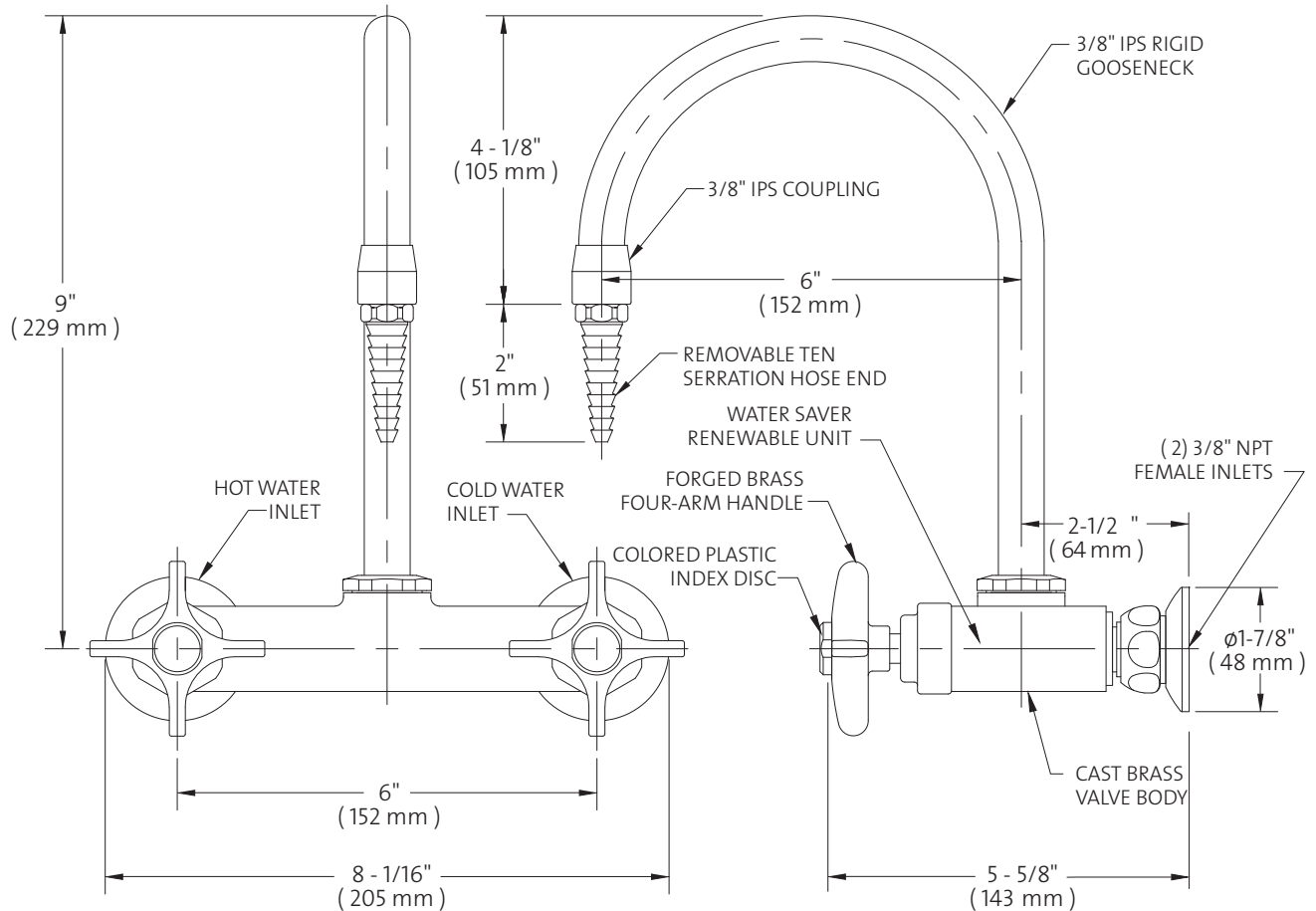


NOTES:

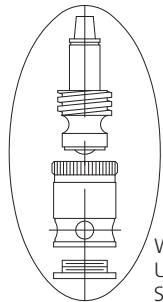
1. FIXTURE IS CERTIFIED BY CSA INTERNATIONAL TO COMPLY WITH ASME A112.18.1M AND CSA B125.1
2. VACUUM BREAKER IS CERTIFIED TO COMPLY WITH ASSE 1001.
3. FIXTURE IS FULLY ASSEMBLED (WITH MOUNTING SHANKS LOOSE) AND FACTORY TESTED PRIOR TO SHIPMENT. IF MOUNTING SHANKS ARE TO BE ASSEMBLED, USE SUFFIX "WSA".

Measurements may vary ± 1/4".

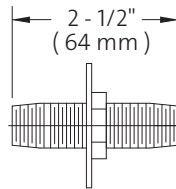
- **L1711WS** Laboratory Mixing Faucet, Panel Mounted, 6" Rigid Gooseneck, Mounting Shanks
- **L1712WS** Same as Above Except with Swing Gooseneck
- **L1714WS** Same as Above Except with Rigid/Swing Gooseneck



FURNISHED WITH (2) 3/8" IPS MOUNTING SHANKS WITH LOCKNUTS AND WASHERS



WATER SAVER RENEWABLE UNIT WITH REPLACEABLE STAINLESS STEEL SEAT



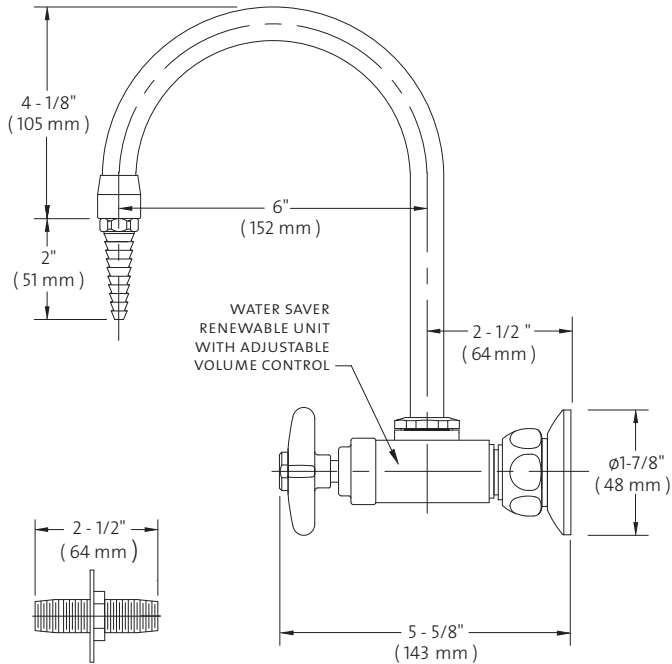
NOTES:

1. FIXTURE IS CERTIFIED BY CSA INTERNATIONAL TO COMPLY WITH ASME A112.18.1M AND CSA B125.1
2. FIXTURE IS FULLY ASSEMBLED (WITH MOUNTING SHANKS LOOSE) AND FACTORY TESTED PRIOR TO SHIPMENT. IF MOUNTING SHANKS ARE TO BE ASSEMBLED, USE SUFFIX "WSA".

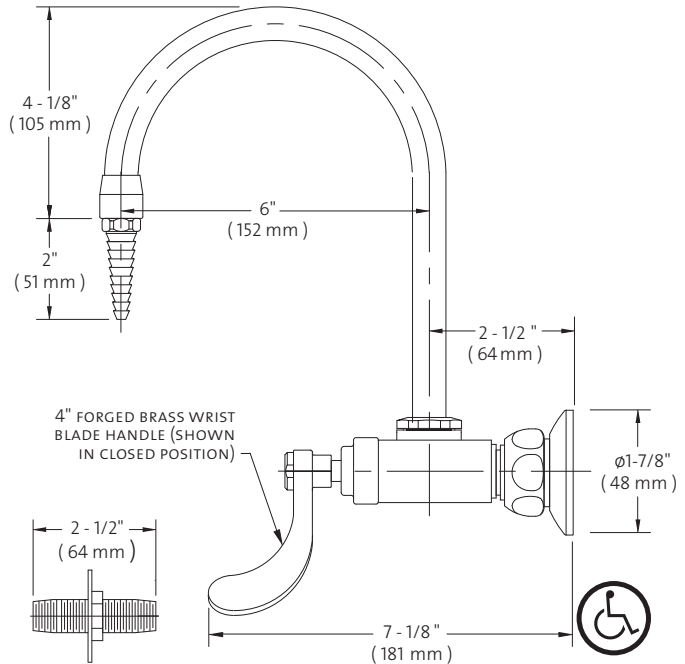
Measurements may vary $\pm 1/4$ ".

○ **L1711WS / L1712WS / L1714WS** Additional Configurations

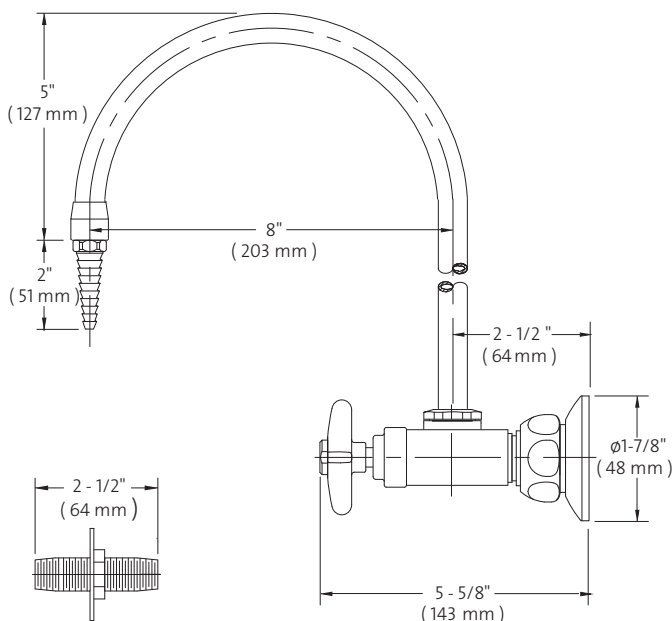
○ **LA1711WS** Laboratory Mixing Faucet, Panel Mounted, 6" Rigid Gooseneck, Mounting Shanks, Adjustable Volume Controls



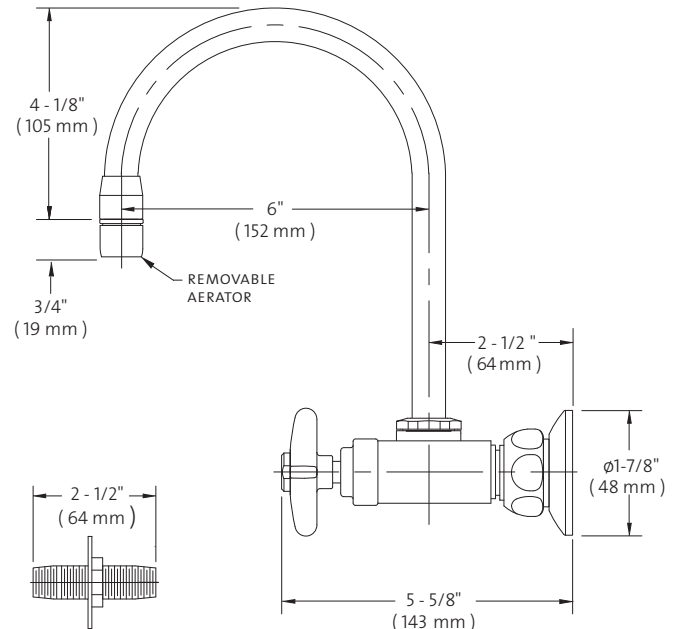
○ **L1711BH-WS** Laboratory Mixing Faucet, Panel Mounted, 6" Rigid Gooseneck, Mounting Shanks, Wrist Blade Handles



○ **L1711-8WS** Laboratory Mixing Faucet, Panel Mounted, 8" Rigid Gooseneck, Mounting Shanks

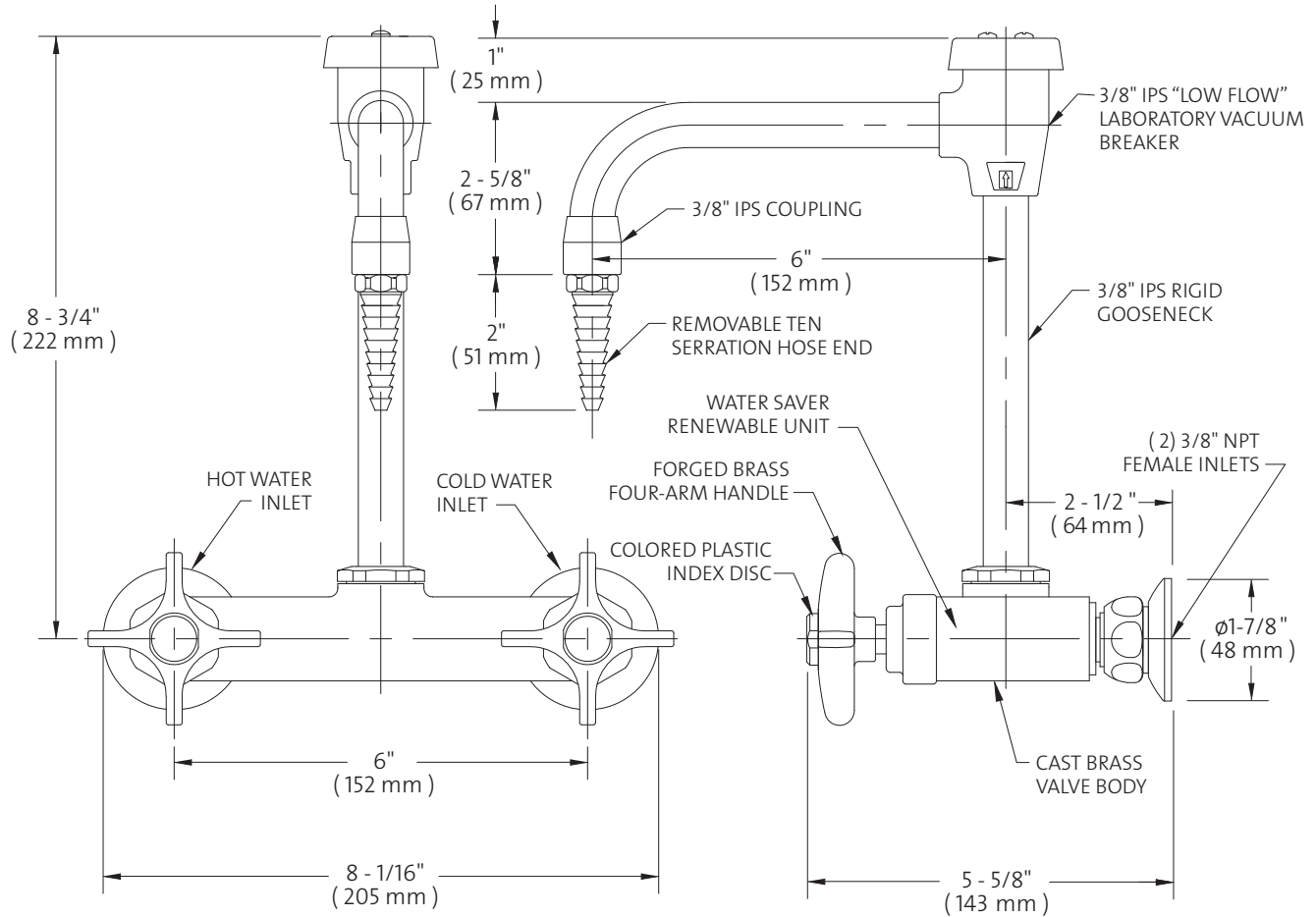


○ **L1711-55WS** Laboratory Mixing Faucet, Panel Mounted, 6" Rigid Gooseneck, Aerator, Mounting Shanks

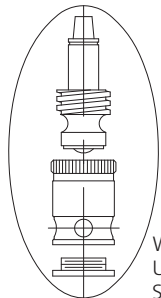
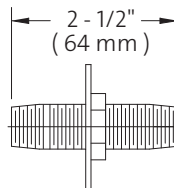


Measurements may vary $\pm 1/4$ ".

- **L1711VB-WS** Laboratory Mixing Faucet, Panel Mounted, 6" Rigid Vacuum Breaker Gooseneck, Mounting Shanks
- **L1712VB-WS** Same as Above Except with Swing Vacuum Breaker Gooseneck
- **L1714VB-WS** Same as Above Except with Rigid/Swing Vacuum Breaker Gooseneck



FURNISHED WITH (2) 3/8" IPS MOUNTING SHANKS WITH LOCKNUTS AND WASHERS



WATER SAVER RENEWABLE UNIT WITH REPLACEABLE STAINLESS STEEL SEAT



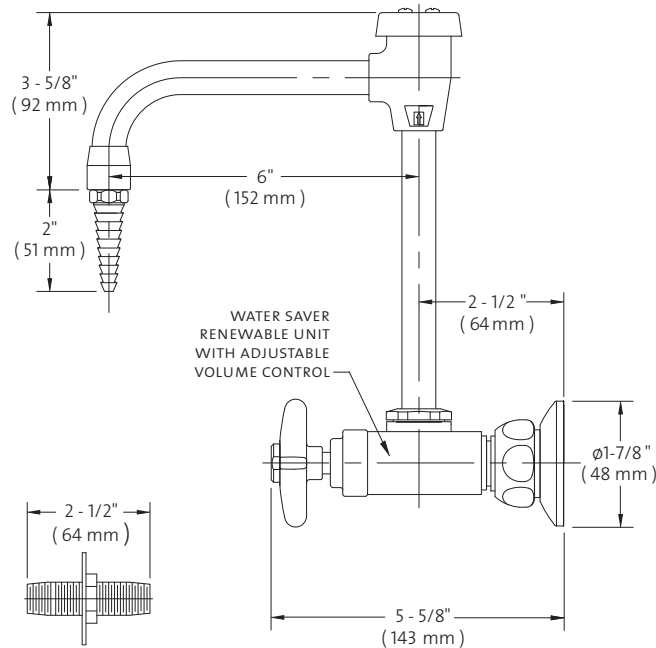
NOTES:

1. FIXTURE IS CERTIFIED BY CSA INTERNATIONAL TO COMPLY WITH ASME A112.18.1M AND CSA B125.1.
2. VACUUM BREAKER IS CERTIFIED TO COMPLY WITH ASSE 1001.
3. FIXTURE IS FULLY ASSEMBLED (WITH MOUNTING SHANKS LOOSE) AND FACTORY TESTED PRIOR TO SHIPMENT. IF MOUNTING SHANKS ARE TO BE ASSEMBLED, USE SUFFIX "WSA".

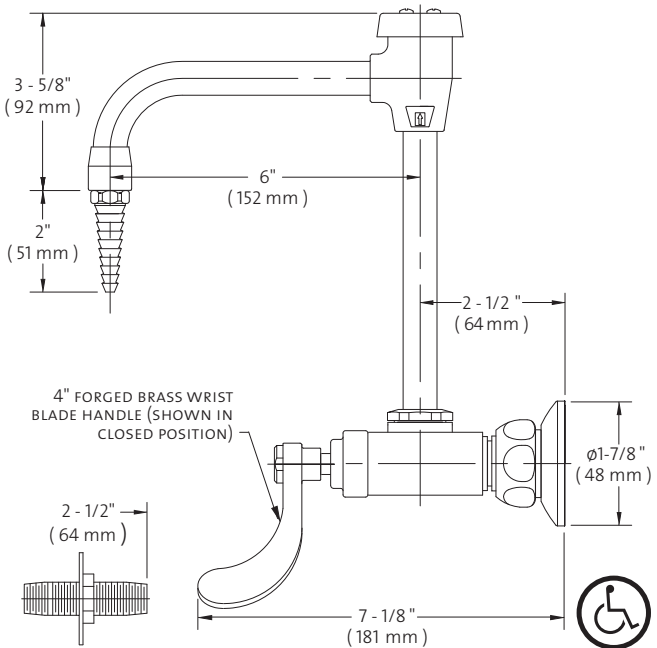
Measurements may vary $\pm 1/4"$.

○ **L1711VB-WS / L1712VB-WS / L1714VB-WS** Additional Configurations

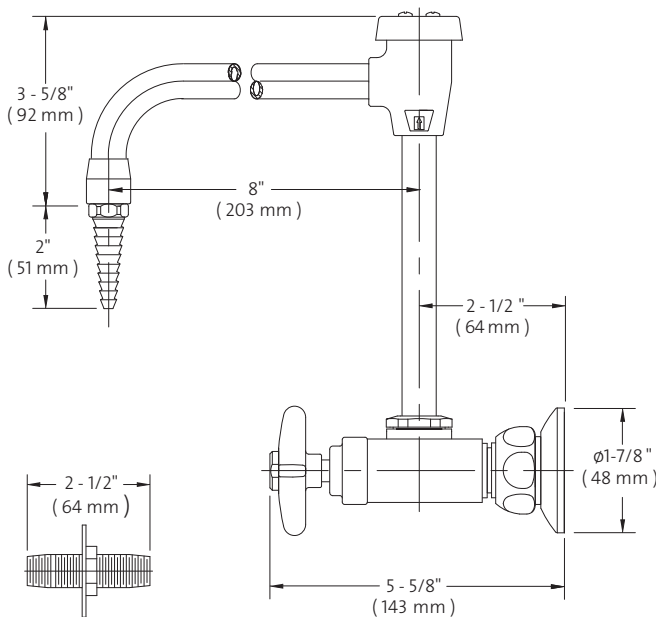
○ **LA1711VB-WS** Laboratory Mixing Faucet, Panel Mounted, 6" Rigid Vacuum Breaker Gooseneck, Mounting Shanks, Adjustable Volume Controls



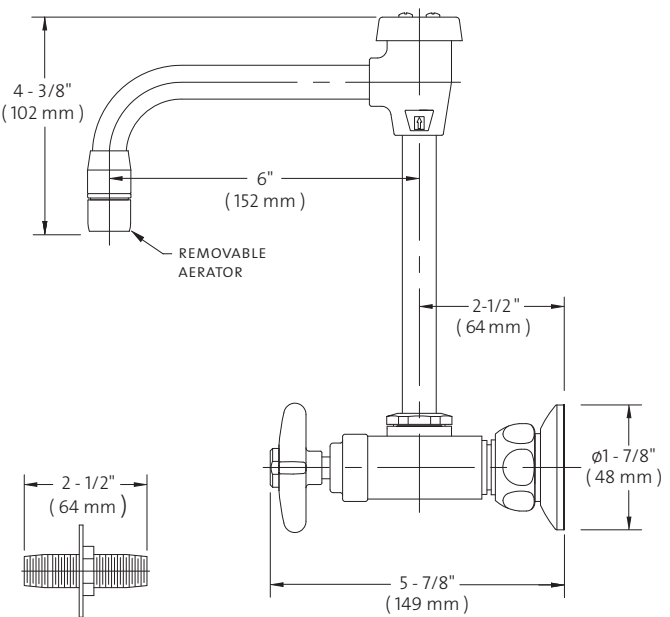
○ **L1711VB-BH-WS** Laboratory Mixing Faucet, Panel Mounted, 6" Rigid Vacuum Breaker Gooseneck, Mounting Shanks, Wrist Blade Handles



○ **L1711-8VB-WS** Laboratory Mixing Faucet, Panel Mounted, 8" Rigid Vacuum Breaker Gooseneck, Mounting Shanks

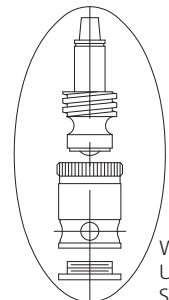
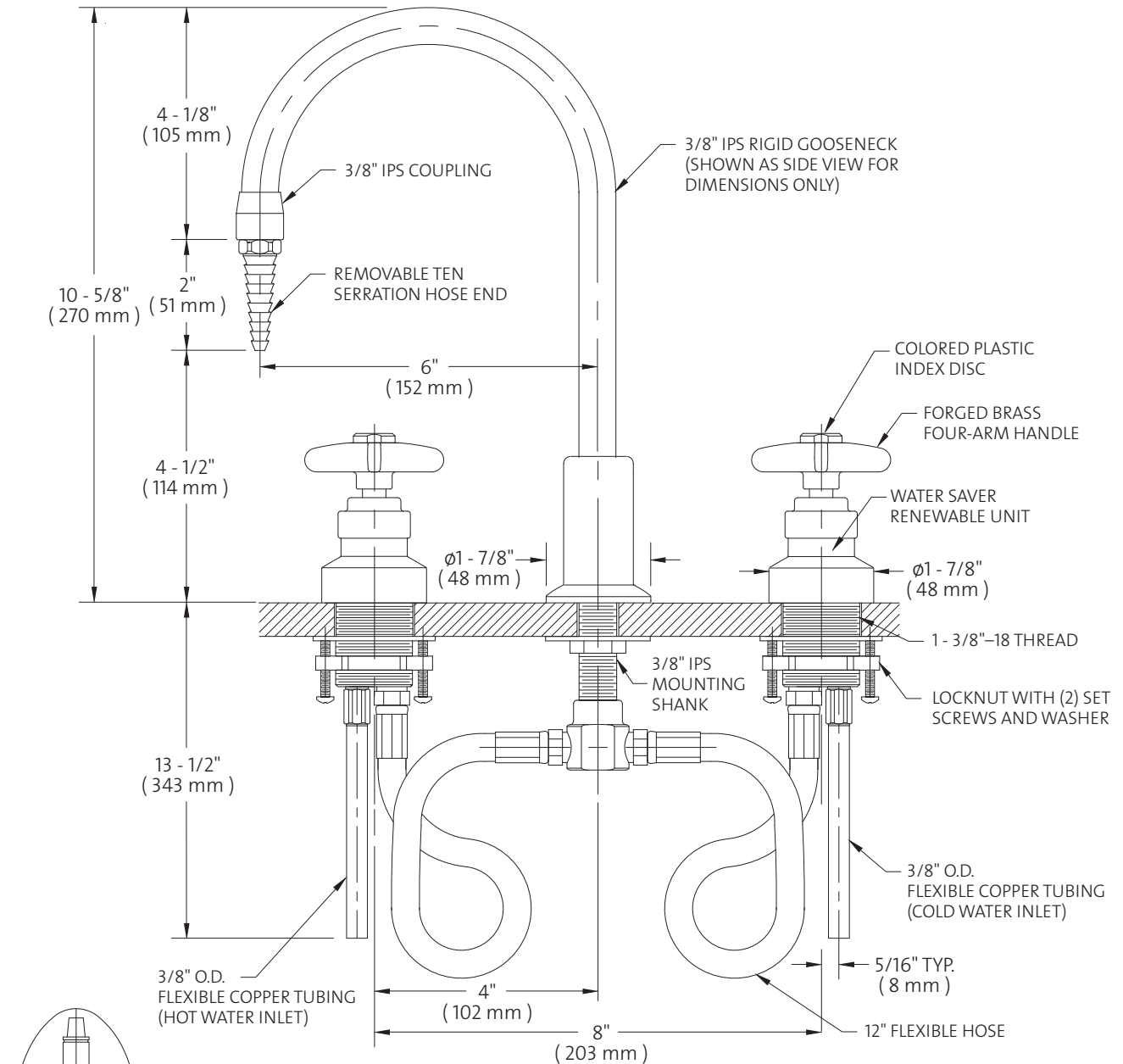


○ **L1711VB55WS** Laboratory Mixing Faucet, Panel Mounted, 6" Rigid Vacuum Breaker Gooseneck, Mounting Shanks, Aerator



Measurements may vary $\pm 1/4"$.

- **L2211** Laboratory Mixing Faucet, Deck Mounted, 6" Rigid Gooseneck
- **L2212** Same as Above Except with Swing Gooseneck
- **L2214** Same as Above Except with Rigid/Swing Gooseneck



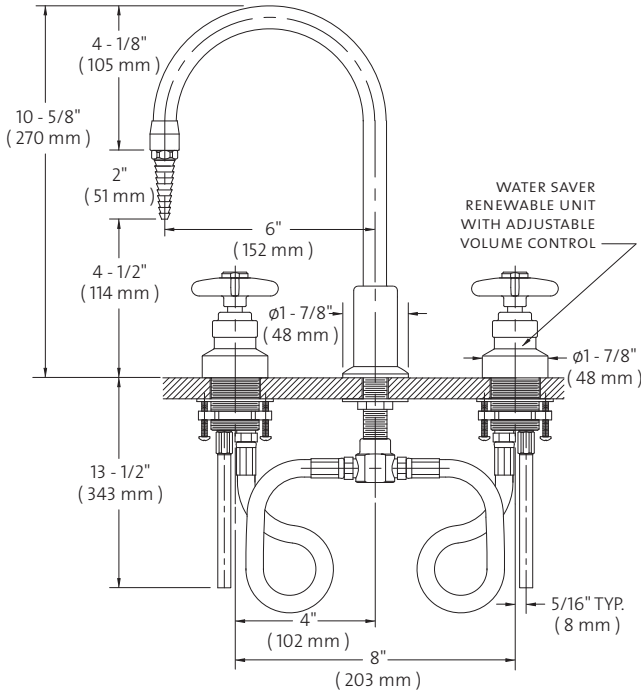
NOTES:

1. FIXTURE IS CERTIFIED BY CSA INTERNATIONAL TO COMPLY WITH ASME A112.18.1M AND CSA B125.1.
2. VALVES AND GOOSENECK ARE FULLY ASSEMBLED AND FACTORY TESTED PRIOR TO SHIPMENT.
3. PROVIDE (2) 1 - 3/8" DIAMETER HOLES FOR VALVES AND (1) 3/4" DIAMETER HOLE FOR GOOSENECK.

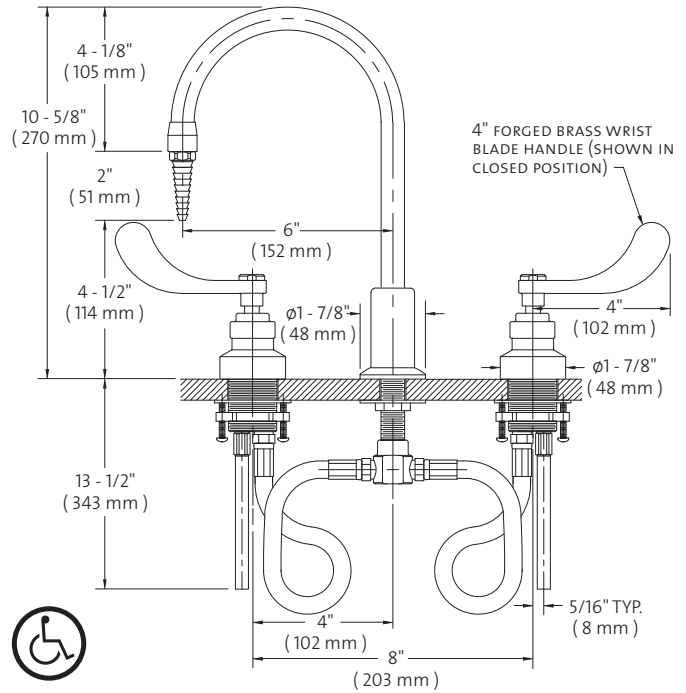
Measurements may vary ± 1/4".

○ L2211 / L2212 / L2214 Additional Configurations

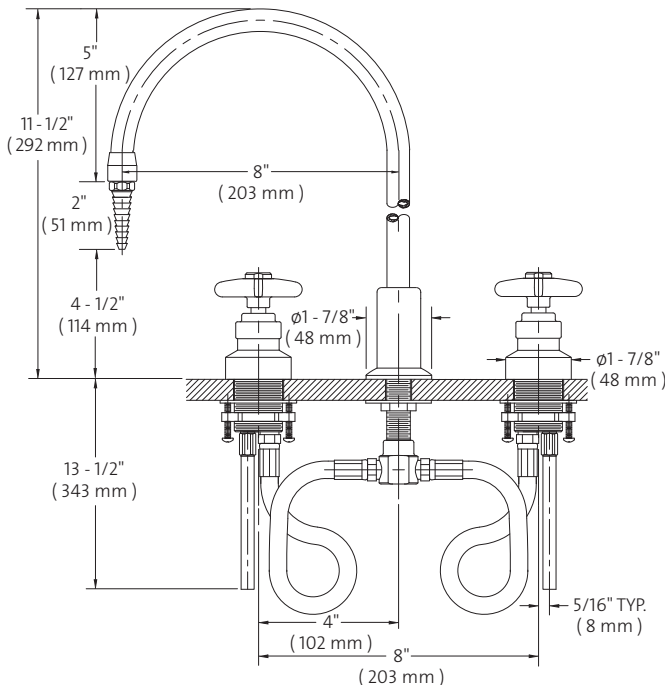
○ LA2211 Laboratory Mixing Faucet, Deck Mounted, 6" Rigid Gooseneck, Adjustable Volume Controls



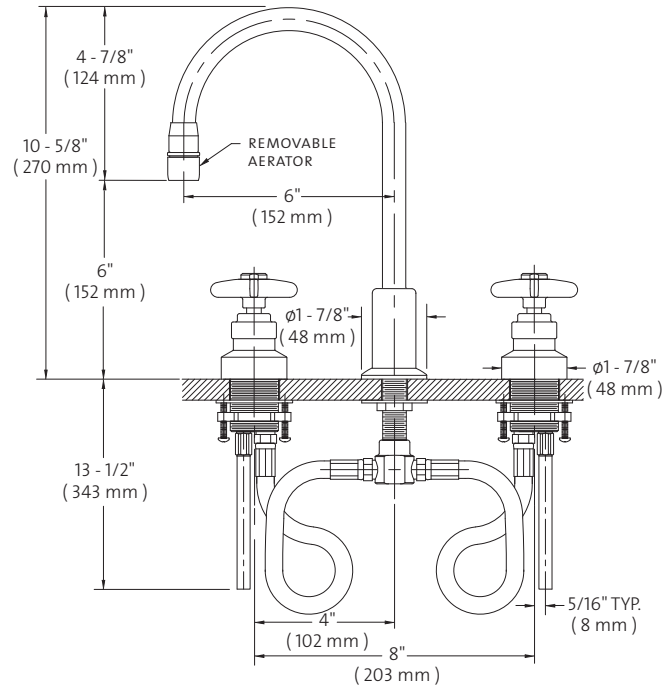
○ L2211BH Laboratory Mixing Faucet, Deck Mounted, 6" Rigid Gooseneck, Wrist Blade Handles



○ L2211-8 Laboratory Mixing Faucet, Deck Mounted, 8" Rigid Gooseneck

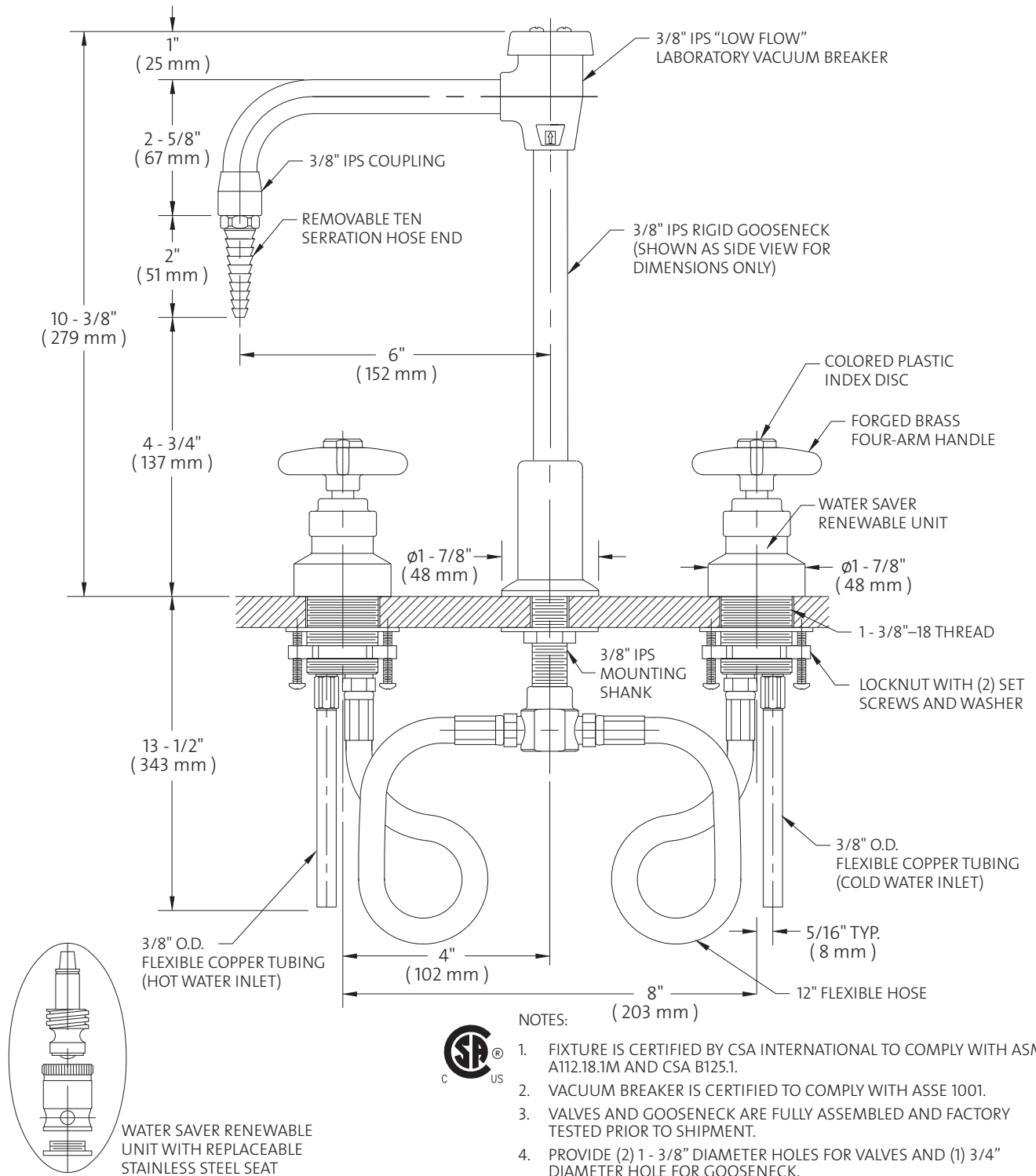


○ L2211-55 Laboratory Mixing Faucet, Deck Mounted, 6" Rigid Gooseneck, Aerator



Measurements may vary $\pm 1/4$ ".

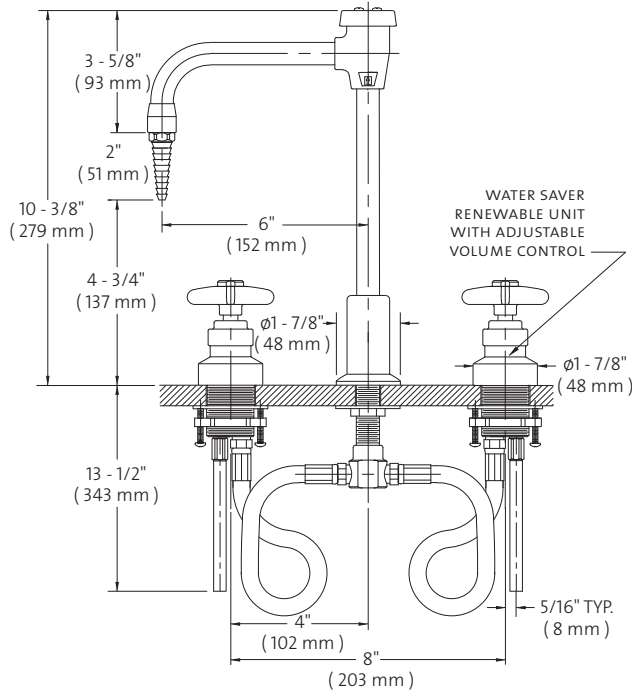
- **L2211VB** Laboratory Mixing Faucet, Deck Mounted, 6" Rigid Vacuum Breaker Gooseneck
- **L2212VB** Same as Above Except with Swing Vacuum Breaker Gooseneck
- **L2214VB** Same as Above Except with Rigid/Swing Vacuum Breaker Gooseneck



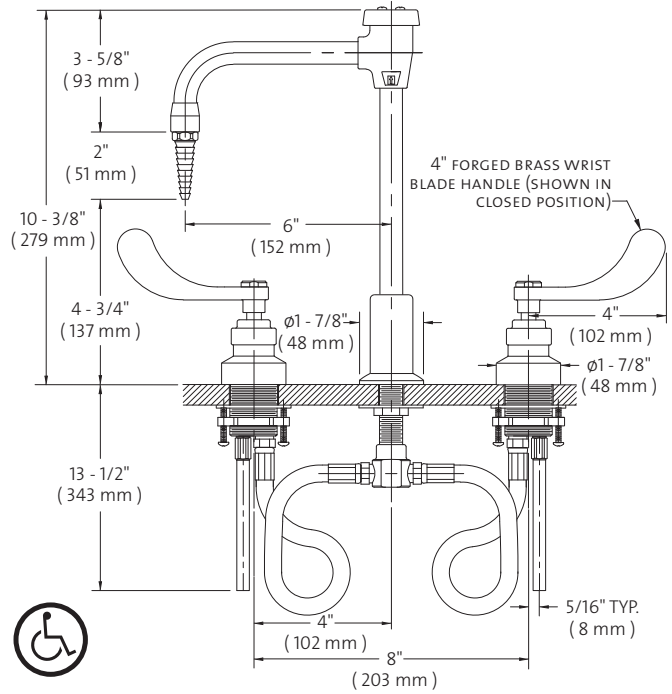
Measurements may vary ± 1/4".

○ **L2211VB / L2212VB / L2214VB** Additional Configurations

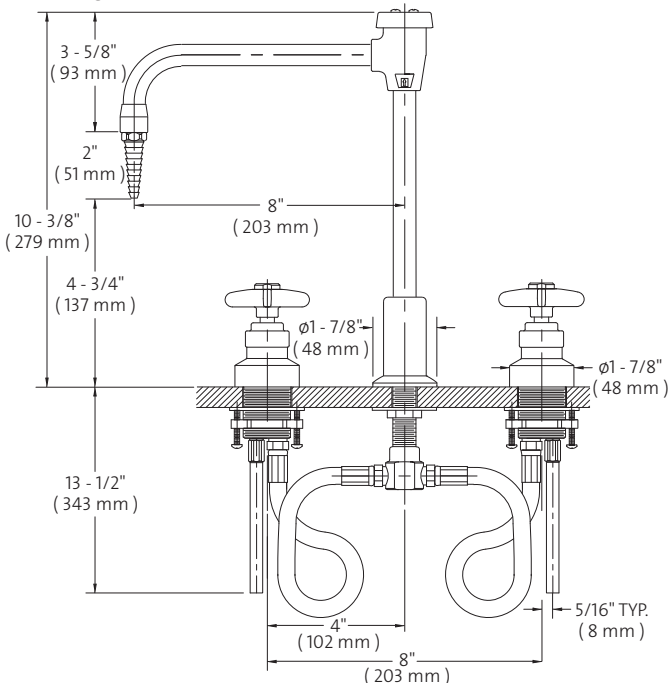
○ **LA2211VB** Laboratory Mixing Faucet, Deck Mounted, 6" Rigid Vacuum Breaker Gooseneck, Adjustable Volume Controls



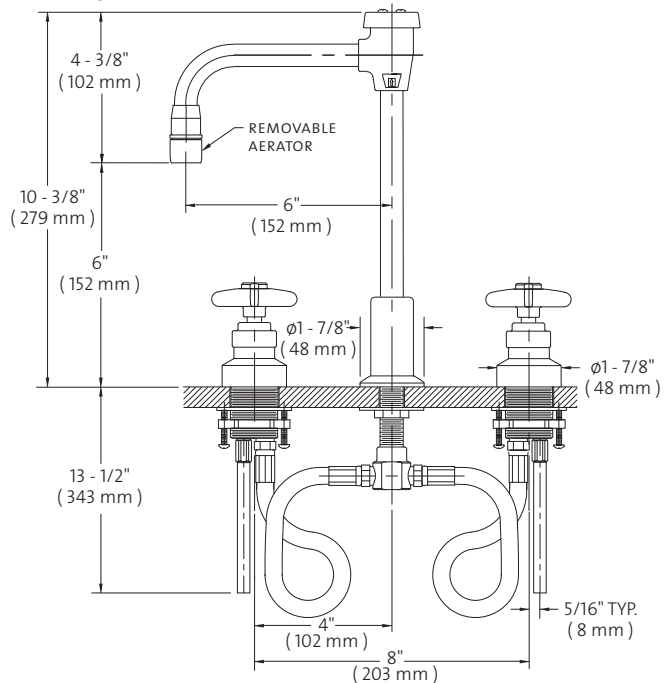
○ **L2211VB-BH** Laboratory Mixing Faucet, Deck Mounted, 6" Rigid Vacuum Breaker Gooseneck, Wrist Blade Handles



○ **L2211-8VB** Laboratory Mixing Faucet, Deck Mounted, 8" Rigid Vacuum Breaker Gooseneck

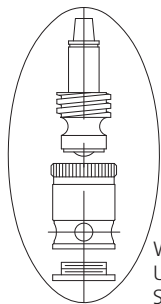
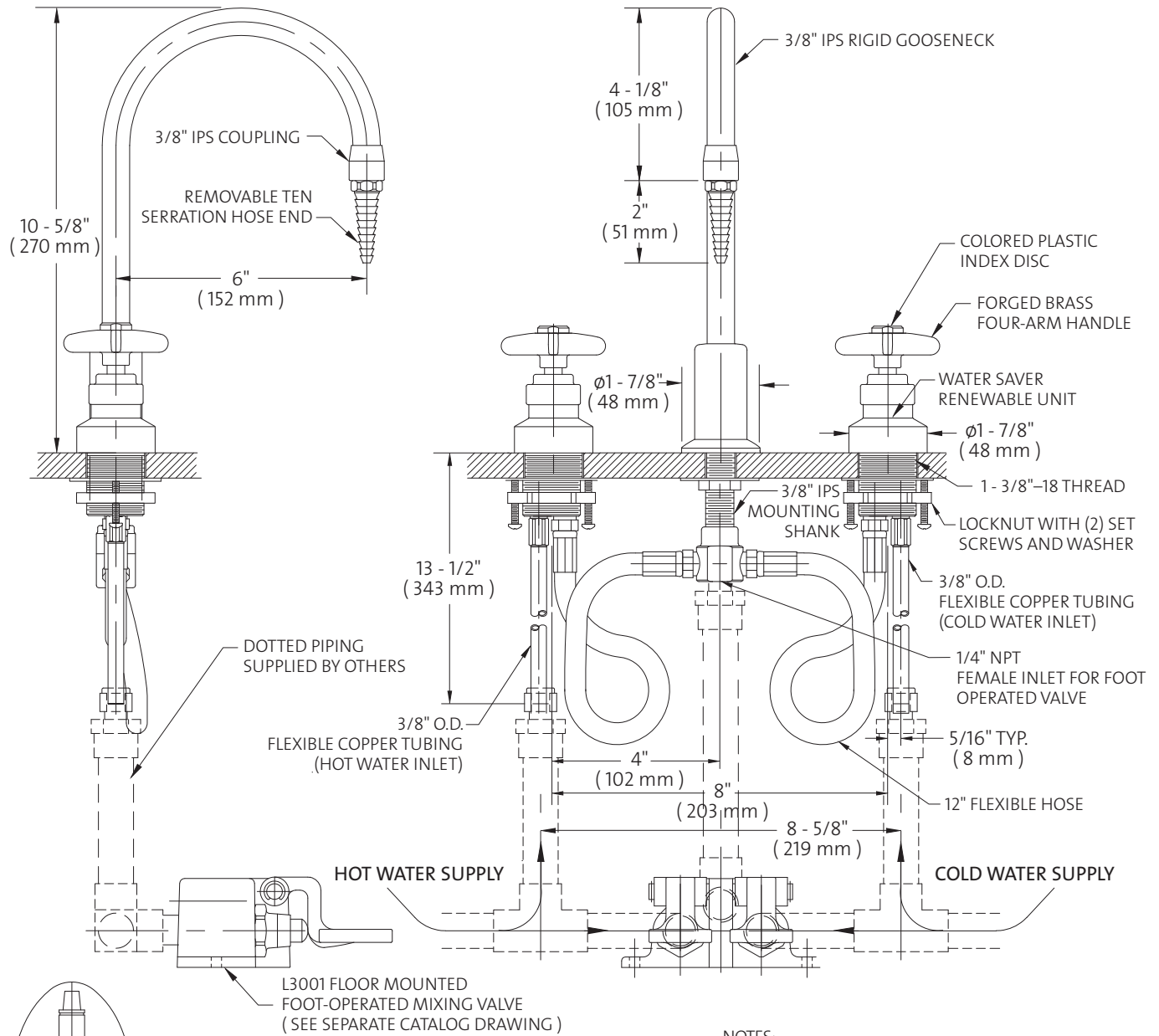


○ **L2211VB55** Laboratory Mixing Faucet, Deck Mounted, 6" Rigid Vacuum Breaker Gooseneck, Aerator



Measurements may vary $\pm 1/4"$.

- **L2211TWI-3001** Laboratory Mixing Faucet, Deck Mounted, 6" Rigid Gooseneck, Foot Operated Valve
- **L2212TWI-3001** Same as Above Except with 6" Swing Gooseneck
- **L2214TWI-3001** Same as Above Except with 6" Rigid/Swing Gooseneck



WATER SAVER RENEWABLE UNIT WITH REPLACEABLE STAINLESS STEEL SEAT

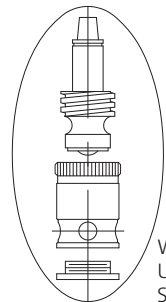
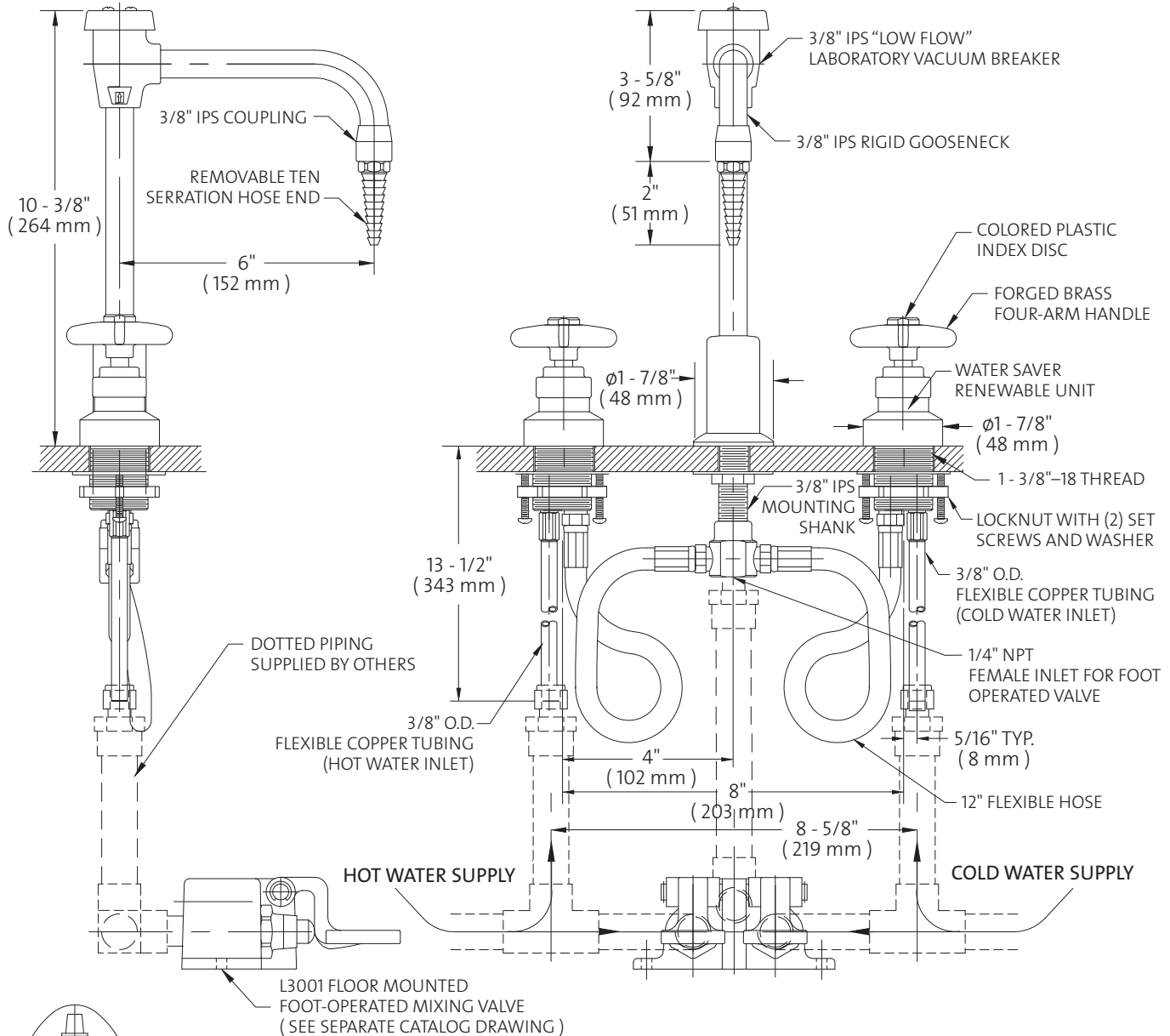


NOTES:

1. WATER FLOW IS CONTROLLED BY EITHER HAND OR FOOT OPERATED VALVES.
2. FIXTURE IS CERTIFIED BY CSA INTERNATIONAL TO COMPLY WITH ASME A112.18.1M AND CSA B125.1.
3. VALVES AND GOOSENECK ARE FULLY ASSEMBLED AND FACTORY TESTED PRIOR TO SHIPMENT.
4. PROVIDE (2) 1 - 3/8" DIAMETER HOLES FOR VALVES AND (1) 3/4" DIAMETER HOLE FOR GOOSENECK.

Measurements may vary $\pm 1/4$ ".

- **L2211TWI-VB-3001** Laboratory Mixing Faucet, Deck Mounted, 6" Rigid Vacuum Breaker Gooseneck, Foot Operated Valve
- **L2212TWI-VB-3001** Same as Above Except with 6" Swing Vacuum Breaker Gooseneck
- **L2214TWI-VB-3001** Same as Above Except with 6" Rigid/Swing Vacuum Breaker Gooseneck



WATER SAVER RENEWABLE UNIT WITH REPLACEABLE STAINLESS STEEL SEAT

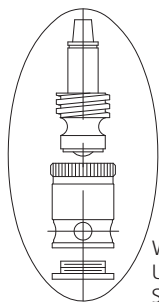
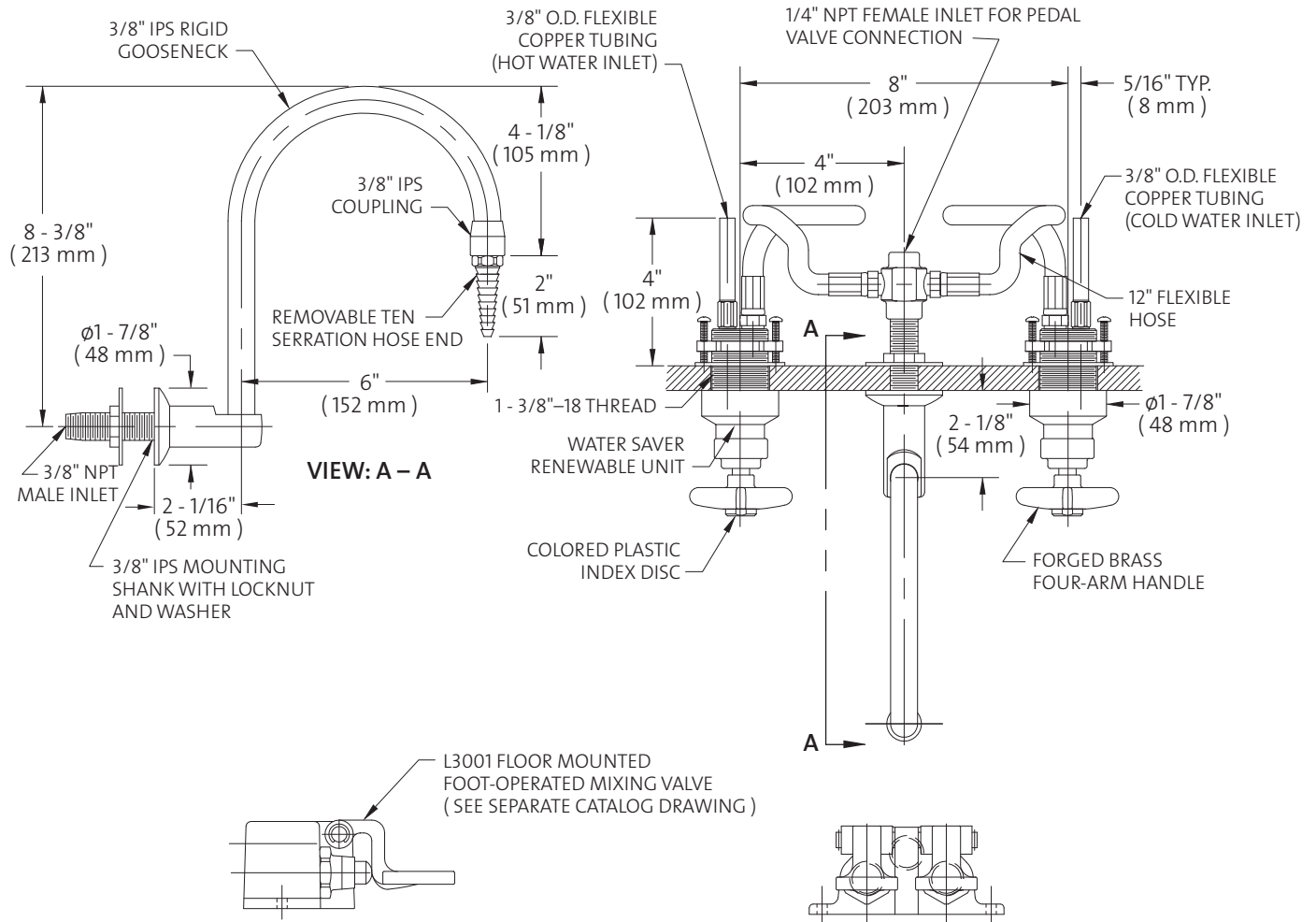


NOTES:

1. WATER FLOW IS CONTROLLED BY EITHER HAND OR OPERATED VALVES.
2. FIXTURE IS CERTIFIED BY CSA INTERNATIONAL TO COMPLY WITH ASME A112.18.1M AND CSA B125.1.
3. VACUUM BREAKER IS CERTIFIED TO COMPLY WITH ASSE 1001.
4. VALVES AND GOOSENECK ARE FULLY ASSEMBLED AND FACTORY TESTED PRIOR TO SHIPMENT.
5. PROVIDE (2) 1 - 3/8" DIAMETER HOLES FOR VALVES AND (1) 3/4" DIAMETER HOLE FOR GOOSENECK.

Measurements may vary ± 1/4".

- **L2211PM-TWI-3001** Laboratory Mixing Faucet, Panel Mounted, 6" Rigid Gooseneck, Foot Operated Valve
- **L2212PM-TWI-3001** Same as Above Except with 6" Swing Gooseneck
- **L2214PM-TWI-3001** Same as Above Except with 6" Rigid/Swing Gooseneck



WATER SAVER RENEWABLE UNIT WITH REPLACEABLE STAINLESS STEEL SEAT

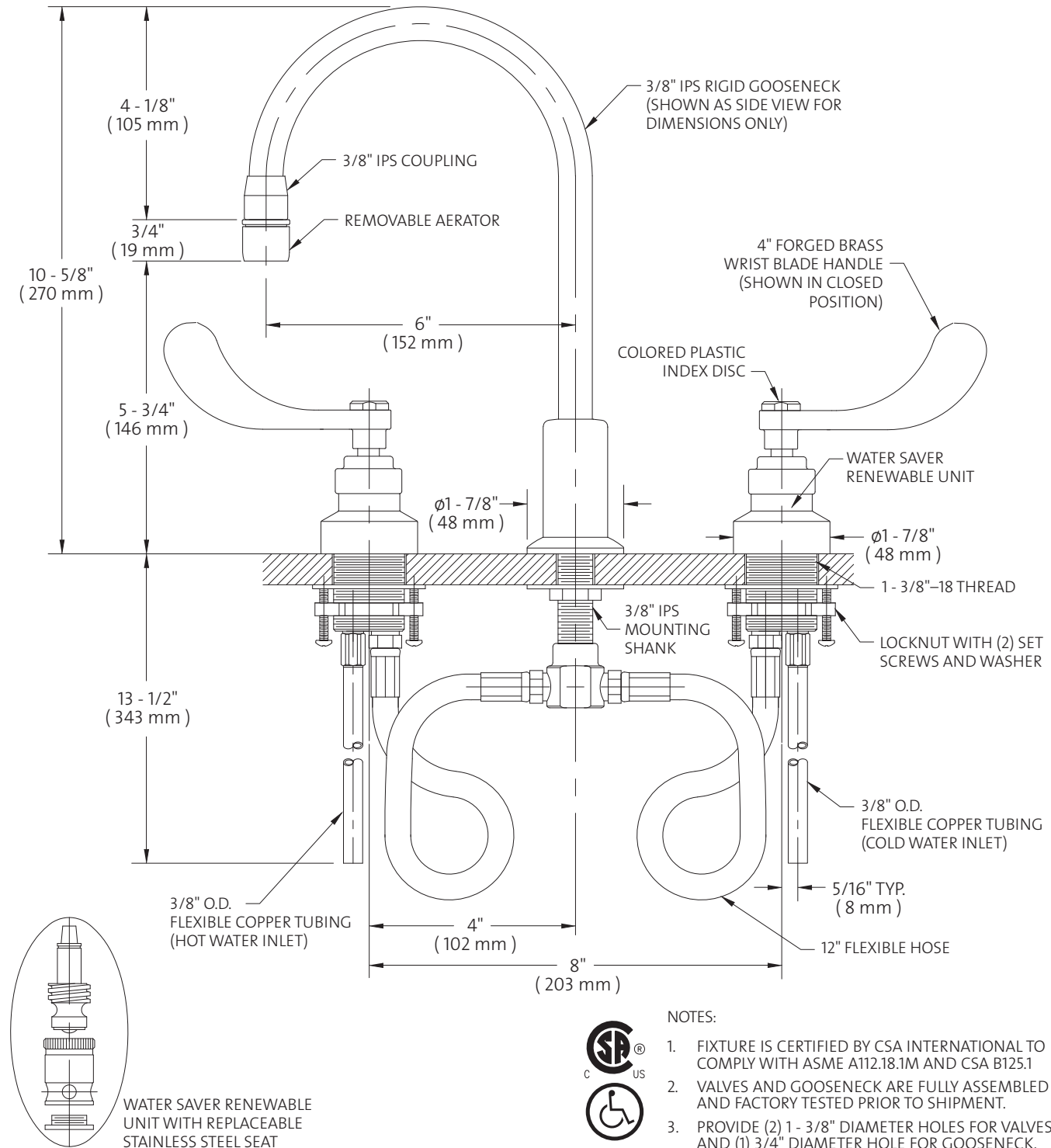


NOTES:

1. WATER FLOW IS CONTROLLED BY EITHER HAND OR FOOT OPERATED VALVES.
2. FIXTURE IS CERTIFIED BY CSA INTERNATIONAL TO COMPLY WITH ASME A112.18.1M AND CSA B125.1
3. VALVES AND GOOSENECK ARE FULLY ASSEMBLED AND FACTORY TESTED PRIOR TO SHIPMENT.
4. PROVIDE (2) 1 - 3/8" DIAMETER HOLES FOR VALVES AND (1) 3/4" DIAMETER HOLE FOR GOOSENECK.

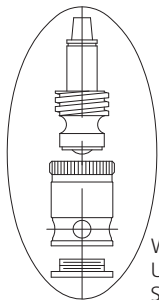
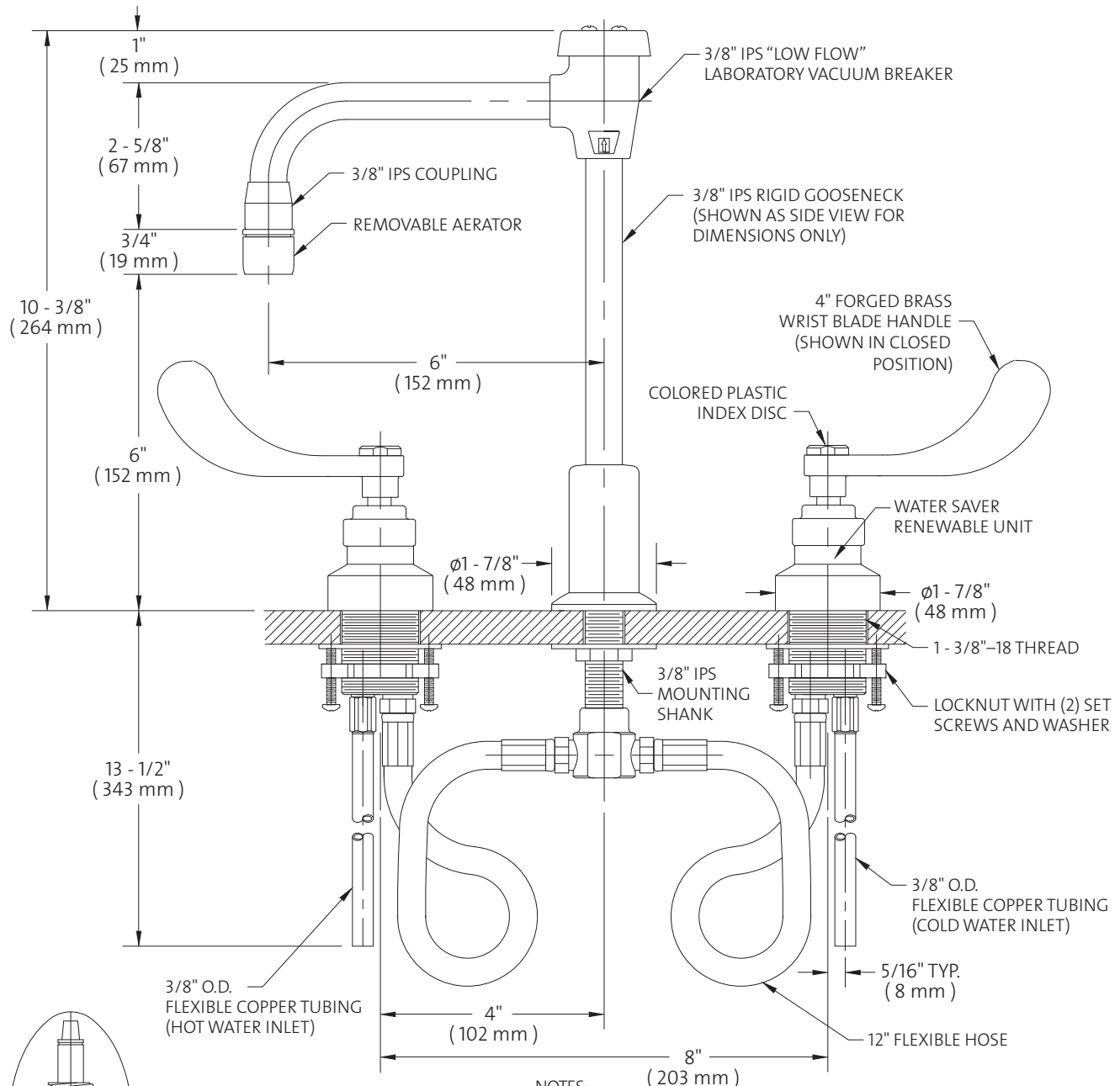
Measurements may vary $\pm 1/4$ ".

- **L2221** Laboratory Mixing Faucet, Deck Mounted, 6" Rigid Gooseneck, Aerator, Wrist Blade Handles
- **L2222** Same as Above Except with 6" Swing Gooseneck
- **L2224** Same as Above Except with 6" Rigid/Swing Gooseneck



Measurements may vary ± 1/4".

- **L2221VB** Laboratory Mixing Faucet, Deck Mounted, 6" Rigid Vacuum Breaker Gooseneck, Aerator, Wrist Blade Handles
- **L2222VB** Same as Above Except with 6" Swing Vacuum Breaker Gooseneck
- **L2224VB** Same as Above Except with 6" Rigid/Swing Vacuum Breaker Gooseneck



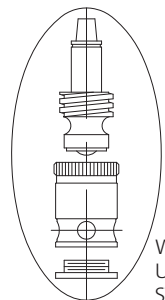
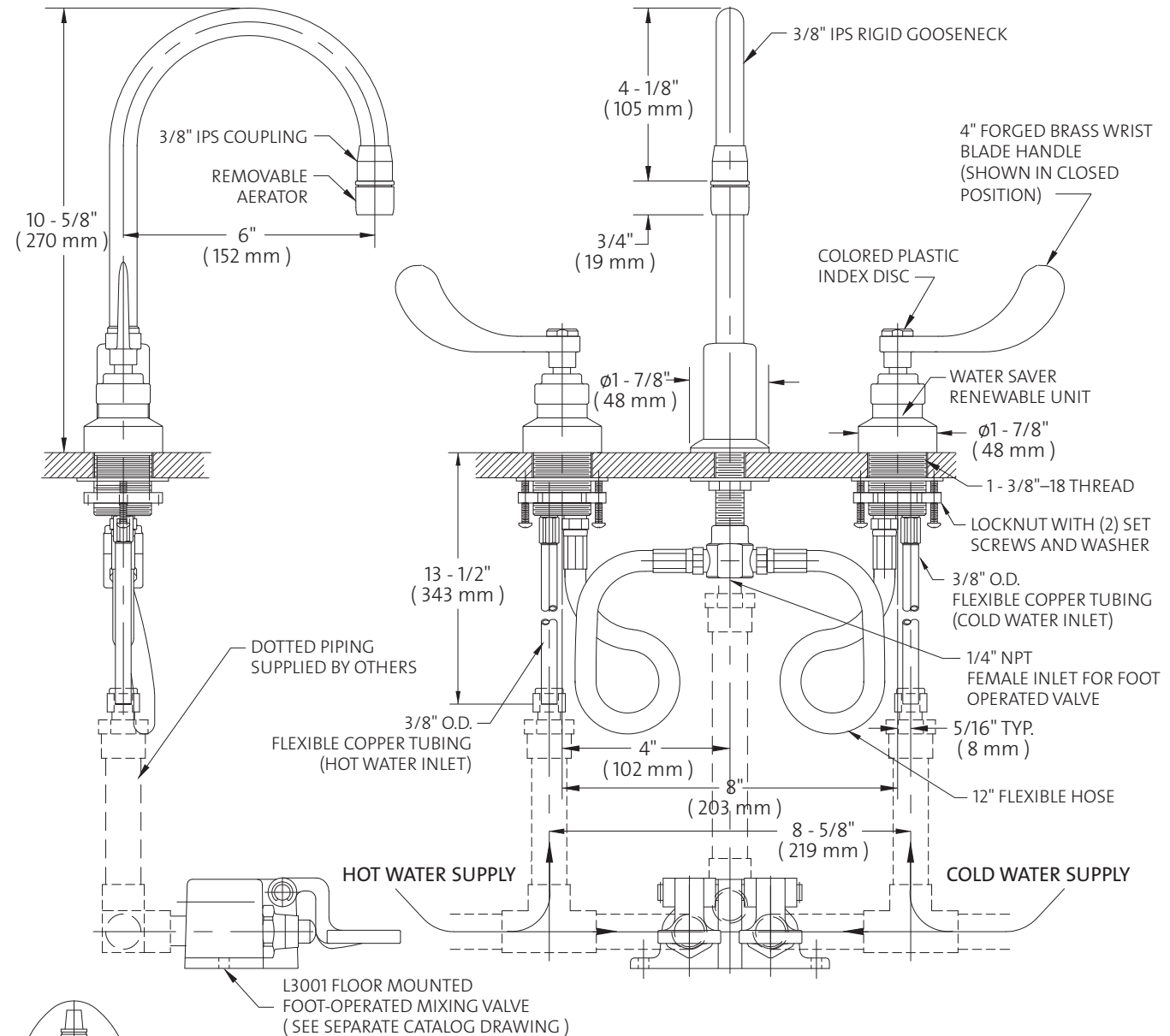
NOTES:



1. FIXTURE IS CERTIFIED BY CSA INTERNATIONAL TO COMPLY WITH ASME A112.18.1M AND CSA B125.1.
2. VACUUM BREAKER IS CERTIFIED TO COMPLY WITH ASSE 1001.
3. VALVES AND GOOSENECK ARE FULLY ASSEMBLED AND FACTORY TESTED PRIOR TO SHIPMENT.
4. PROVIDE (2) 1 - 3/8" DIAMETER HOLES FOR VALVES AND (1) 3/4" DIAMETER HOLE FOR GOOSENECK.

Measurements may vary $\pm 1/4$ ".

- **L2221TWI-3001** Laboratory Mixing Faucet, Deck Mounted, 6" Rigid Gooseneck, Aerator, Wrist Blade Handles, Foot Operated Valve
- **L2222TWI-3001** Same as Above Except with 6" Swing Gooseneck
- **L2224TWI-3001** Same as Above Except with 6" Rigid/Swing Gooseneck

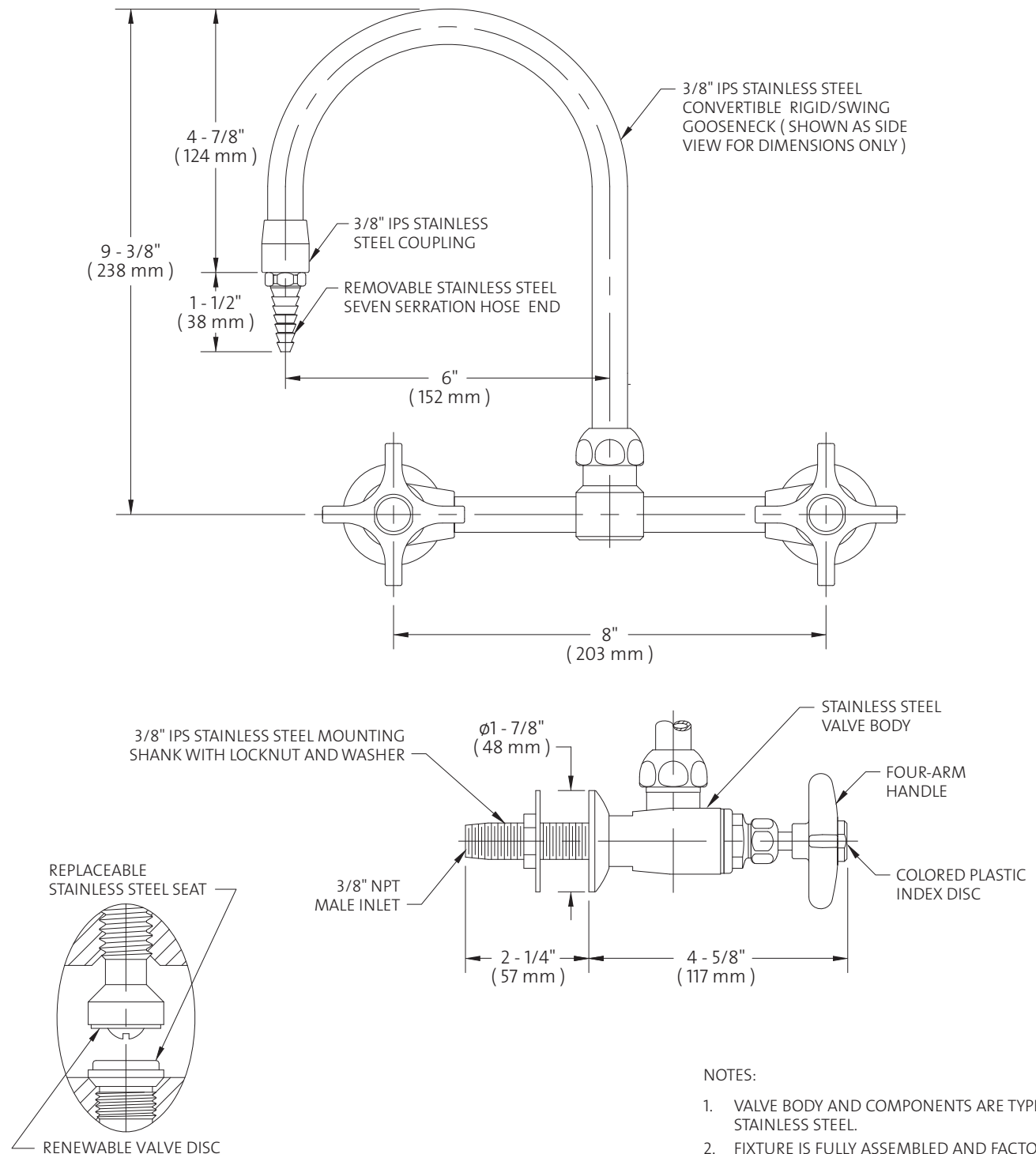


NOTES:

1. WATER FLOW IS CONTROLLED BY EITHER HAND OR FOOT OPERATED VALVES.
2. FIXTURE IS CERTIFIED BY CSA INTERNATIONAL TO COMPLY WITH ASME A112.18.1M AND CSA B125.1
3. VALVES AND GOOSENECK ARE FULLY ASSEMBLED AND FACTORY TESTED PRIOR TO SHIPMENT.
4. PROVIDE (2) 1 - 3/8" DIAMETER HOLES FOR VALVES AND (1) 3/4" DIAMETER HOLE FOR GOOSENECK.

Measurements may vary ± 1/4".

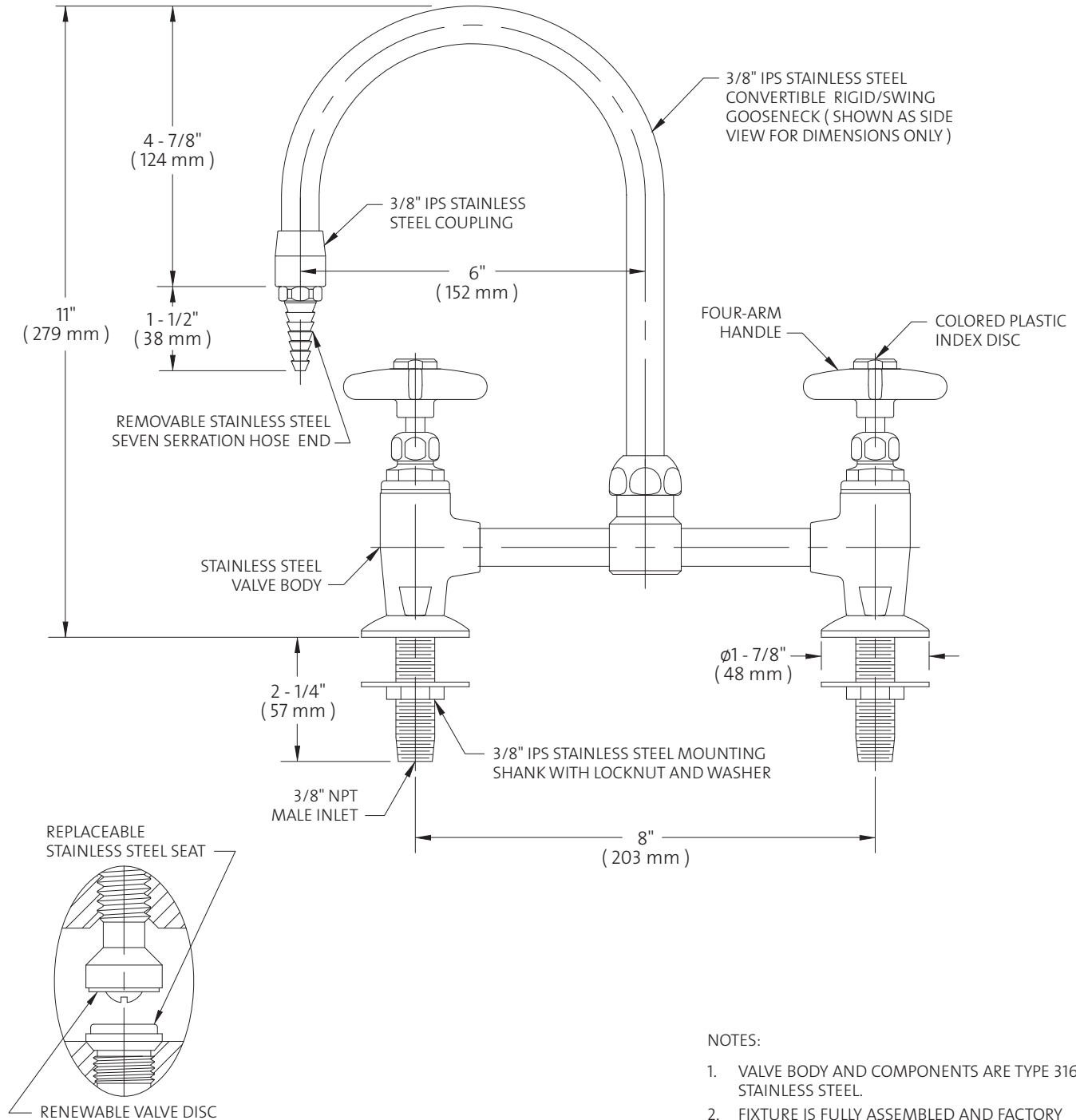
- **L6514WSA** Stainless Steel Laboratory Mixing Faucet, Panel Mounted, 6" Rigid/Swing Gooseneck
- **L6514VB-WSA** Same as Above Except with 6" Rigid/Swing Vacuum Breaker Gooseneck



Measurements may vary $\pm 1/4"$.



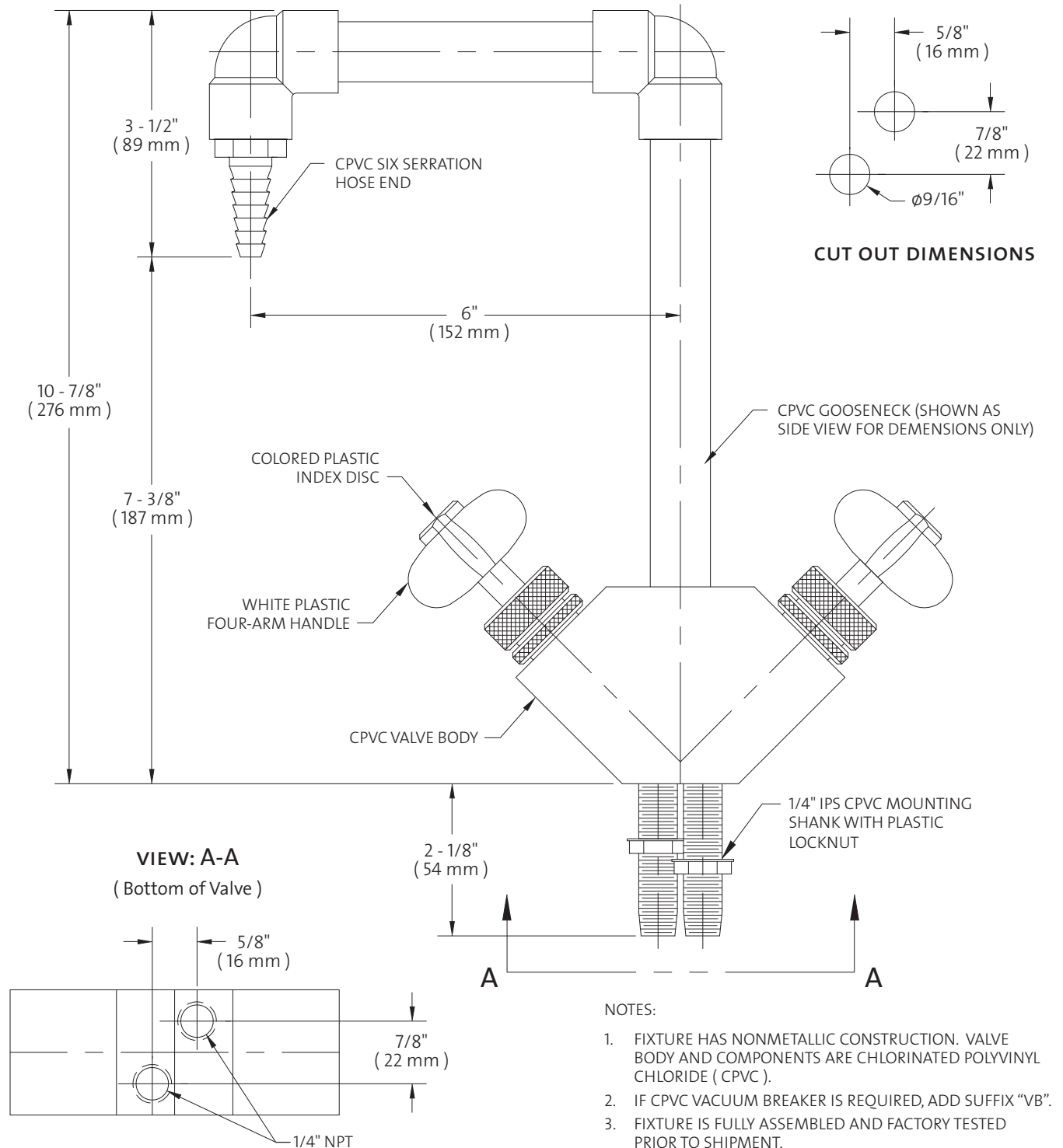
- **L61514WSA** Stainless Steel Laboratory Mixing Faucet, Deck Mounted, 6" Rigid/Swing Gooseneck
- **L61514VB-WSA** Same as Above Except with 6" Rigid/Swing Vacuum Breaker Gooseneck



Measurements may vary ± 1/4".

○ **L74411WSA-CPVC** All-CPVC Laboratory Mixing Faucet, Deck Mounted, 6" Rigid Gooseneck

○ **L74414WSA-CPVC** Same as Above Except with Rigid/Swing Gooseneck



Measurements may vary $\pm 1/4$ ".