

Ordering Instructions

Rod-Type Remote Control Valves and Assemblies

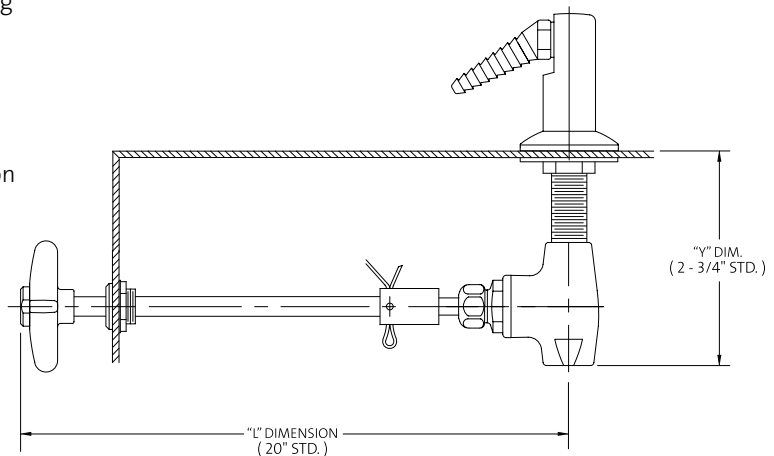
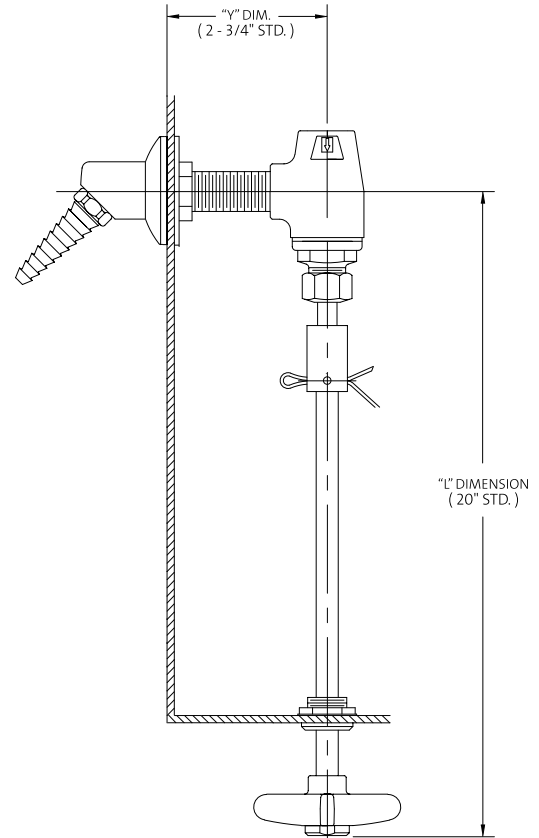
Rod-type remote control valves offer a lower cost alternative to panel mounted valves. These valves incorporate an extension rod between the valve and handle, and are furnished with a guide plate to stabilize the rod and finish the opening in the front face of the hood.

To order remote control assemblies using a rod-type valve, please proceed as follows:

1. Select the desired remote control valve from the following pages. Specify:
 - a. Valve service (cold water, gas, air, vacuum, etc.).
 - b. Valve construction by replacing ? with the following suffixes:

FCN	Fine Control Needle Valve
N	Needle Valve
S	Steam Valve
W	Water Valve
WTL	Tin-Lined Water Valve for Pure Water

- c. "L" dimension, measured from the top of the index disc to the centerline of the valve outlet (see diagram). If the "L" dimension is not specified, a standard dimension of 20" will be furnished.
 - d. Type of guide plate desired (see next page). Note that a black nylon guide plate is furnished as standard. Chrome plated brass guide plates are available at additional cost.
2. Select the desired outlet fitting from the following pages. Specify:
 - a. Color.
 - b. "Y" dimension, measured from the centerline of the valve to the back or bottom of the outlet fitting (see diagram). If the "Y" dimension is not specified, a standard dimension of 2-3/4" will be furnished.
3. On the table on the following pages, find the desired valve and outlet assembly and read across and down to find the appropriate assembly number.



Rod-Type Remote Control Assembly