



Direct Drive Blowers

Forward Curve



Your Clean Air Source!

PEERLESS BLOWERS

AFFILIATE OF **HBD** INDUSTRIES, INC.

PEERLESS BLOWERS DIRECT DRIVE BLOWERS HIGH QUALITY... HIGH EFFICIENCY... VERSATILITY

Established in 1893, **Peerless Blowers** has a well established record of manufacturing a complete line of heavy-duty industrial fans and blowers, as well as propeller fans for commercial and industrial applications. For over a hundred years, thousands of customers have come to know and depend on the quality-built, reliable and efficient fans and blower products produced by **Peerless Blowers**.

Our engineering and design departments are experts assisting customers develop custom-designed air conveying systems that will meet and exceed their critical fan or blower application requirements.

Fans and blower products manufactured by **Peerless Blowers** have and continue to provide exceptional performance, cost-efficient operation and long-term service to customers in numerous OEM,

commercial and industrial markets, including:

- Aviation • Automotive • Chemical
- Clothing • Food • Foundries
- Graphics/Printing • HVAC • Leather
- Maintenance • Manufacturing
- Mining • Paint • Paper/Pulp
- Petroleum • Plastics • Rail • Rubber
- Steel • Textile • And More!

Fans and blowers produced by **Peerless Blowers** have been application engineered and designed to meet and exceed all the requirements of today's air moving needs. Tested/rated to meet AMCA/ASHRAE Codes, our blowers are designed to provide maximum performance, long-term service and cost efficient operation in a wide variety of applications and environments.

Regardless of your air movement requirements, Peerless Blowers ...IS YOUR CLEAN AIR SOURCE!



PEERLESS BLOWERS DIRECT DRIVE BLOWERS

APPLICATION:

Used extensively for general ventilation of small areas where duct systems are required. Used for washrooms, restaurants and small hood exhaust. Slow speed units are extremely quiet where noise is a factor.

FEATURES:

General Construction

Housings and bases are 16 gauge steel. Wheels are dynamically balanced and equipped with cast iron hubs. Blowers are finished with baked powered polyester.

Motors

Commercial standard Fan and Blower duty motors are job-matched to each requirement. All types of current characteristics, enclosures and bearing construction are available.

Rotation and Discharge

Standard units are built for clockwise rotation and bottom horizontal discharge. However, any rotation or discharge will be furnished when so specified. Housings may be easily rotated to any of eight different discharge directions if desired at time of installation.

Custom Features

Weather-proof drive covers to cover the motor are available if unit is mounted outside. Also such extras as non-ferrous wheel, vibration pads, discharge dampers, acid resisting paint, inlet or outlet screens and other special features are available for special requirements.

Capacities

These blowers are tested in accordance with test codes adopted by AMCA and the American Society of Heating, Refrigerating and Air Conditioning Engineers.



Direct Drive Blower Performance Data

MODEL NO.	MOTOR HP	BLOWER RPM	FREE AIR		1/8"		1/4"		3/8"		1/2"		5/8"		3/4"		1"		1 1/4"	
			CFM	OV	CFM	OV	CFM	OV	CFM	OV	CFM	OV	CFM	OV	CFM	OV	CFM	OV	CFM	OV
D5A	1/6	1750	184	1630	169	1500	144	1275	112	995	—	—	—	—	—	—	—	—	—	—
D6AA	1/6	1150	390	1880	330	1590	250	1205	100	480	—	—	—	—	—	—	—	—	—	—
D6AB	1/6	1750	595	2865	560	2700	515	2480	470	2265	420	2025	365	1760	300	1445	—	—	—	—
D8A	1/6	1150	760	2570	680	2300	620	2095	535	1810	430	1455	—	—	—	—	—	—	—	—
D8C	1/2	1750	1150	3885	1085	3665	1050	3550	1005	3400	960	3240	915	3090	865	2920	750	2535	580	1960
D9A	1/6	850	875	1870	835	1785	780	1665	680	1450	470	1005	—	—	—	—	—	—	—	—
D9C	1/3	1150	1180	2520	1160	2480	1125	2400	1090	2325	1035	2210	963	2060	855	1825	—	—	—	—
D11D	1/2	850	1520	2395	1380	2170	1290	2025	1145	1800	1010	1585	860	1350	—	—	—	—	—	—
D11E	3/4	1150	2060	3240	1970	3095	1870	2940	1800	2830	1710	2690	1605	2525	1500	2355	1290	2030	1020	1605
D12E	3/4	850	2475	2885	2365	2760	2260	2640	2140	2495	2015	2350	1885	2200	1725	2010	1245	1450	—	—
D12H	2	1150	3350	3900	3275	3815	3195	3725	3115	3630	3025	3530	2940	3430	2850	3320	2660	3100	2450	2855

PEERLESS BLOWERS HIGH SPEED BLOWERS

APPLICATION:

Use for systems that require air delivery at high static pressures, such as garage mon-oxide systems, electronic cooling or industrial applications. For lower static pressure use standard blowers as listed on opposite page.

FEATURES:

General Construction

Housings and bases are 16 gauge steel. Wheels are dynamically balanced and equipped with cast iron hubs. Blowers are finished with baked powered polyester.

Motors

Commercial standard Fan and Blower duty motors are job-matched to each requirement. All types of current characteristics, enclosures and bearing construction are available.

Rotation and Discharge

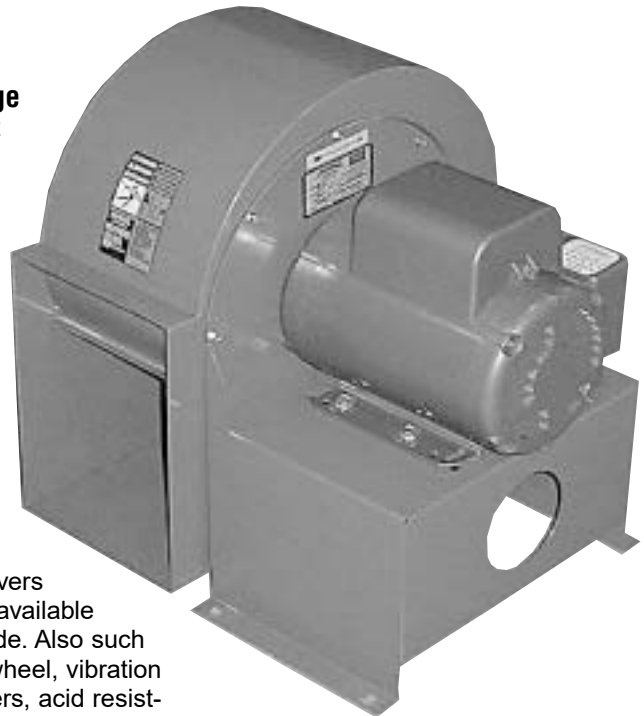
Standard units are built for clockwise rotation and bottom horizontal discharge. However, any rotation or discharge will be furnished when so specified. Housings may be easily rotated to any of eight different discharge directions if desired at time of installation.

Custom Features

Weather-proof drive covers to cover the motor are available if unit is mounted outside. Also such extras as non-ferrous wheel, vibration pads, discharge dampers, acid resisting paint, inlet or outlet screens and other special features are available for special requirements.

Capacities

These blowers are tested in accordance with test codes adopted by AMCA and the American Society of Heating, Refrigerating and Air Conditioning Engineers.

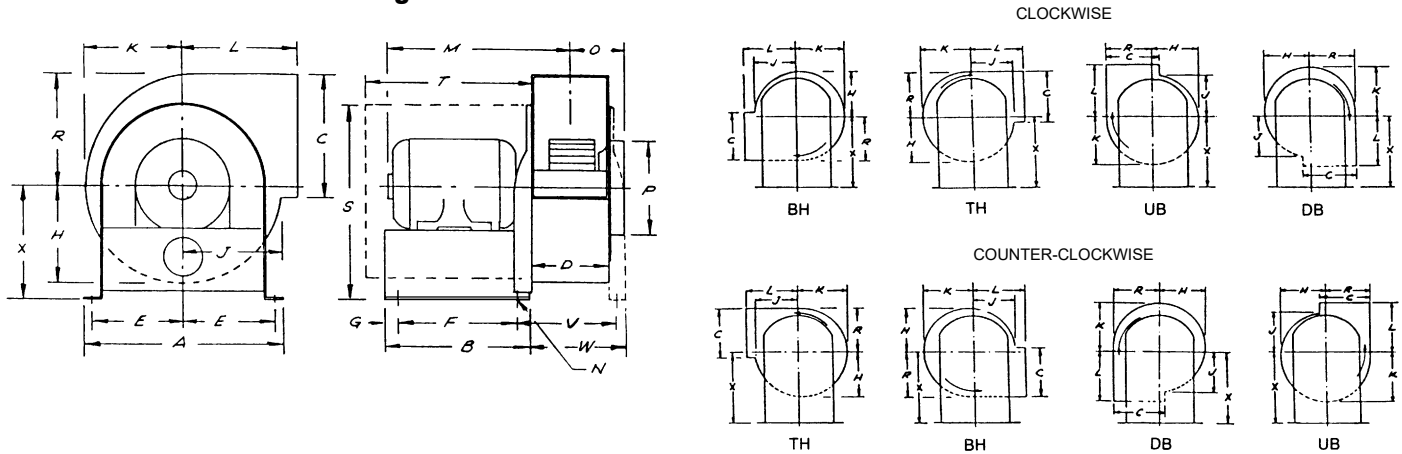


High Speed Blower Performance Data

MODEL NO.	MOTOR HP	BLOWER RPM	1/2"		3/4"		1"		1 1/4"		1 1/2"		1 3/4"		2"		2 1/4"		2 1/2"		2 3/4"		
			CFM	OV	CFM	OV	CFM	OV	CFM	OV	CFM	OV	CFM	OV	CFM	OV	CFM	OV	CFM	OV	CFM	OV	
D9D	1/2	1750	WILL OVERLOAD MOTOR				895	1910	810	1730	735	1570	615	1315	—	—	—	—	—	—	—	—	—
D9E	3/4	1750	WILL OVERLOAD MOTOR				—	—	1550	3310	1445	3085	1290	2755	1100	2345	—	—	—	—	—	—	—
D9F	1	1750	1720	3670	1675	3580	1620	3460	1550	3310	1445	3085	1290	2755	1100	2345	—	—	—	—	—	—	—
D11F	1	1750	WILL OVERLOAD MOTOR				—	—	—	—	—	—	1425	3070	1280	2760	1120	2415	910	1960	—	—	—
D11G	1 1/2	1750	WILL OVERLOAD MOTOR				—	—	—	—	1840	3970	1730	3730	1600	3455	1450	3130	1280	2760	1040	2240	—
D11H	2	1750	WILL OVERLOAD MOTOR				—	—	—	—	2415	3795	2240	3520	2130	2910	1660	2610	3345	1990	3130	1850	—

PEERLESS BLOWERS DIRECT DRIVE BLOWERS

Direct Drive Blowers — Arrangement #4



Direct Drive Blower Dimensions

MODEL	WHEEL	A	B	C	D	E	F	G	H	J	K	L	M*	N	O	P	R	S	T	V	W	X	MAX. MOTOR FRAME
D5A	4 1/2 x 2 1/2	8 3/8	7	5 1/8	3 3/8	3 3/4	6	1/2	3 1/2	3 1/8	3 3/4	4 1/8	11 1/2	3/8	2 3/4	4	4 5/8	8 5/8	9 1/2	—	—	5 1/4	48
D5A	4 3/4 x 2 1/4	8 3/8	7	5 1/8	3 3/8	3 3/4	6	1/2	3 1/2	3 1/8	3 3/4	4 1/8	11 1/4	3/8	2 3/4	4	4 5/8	9 1/8	9 1/2	—	—	5 3/4	56
D6AA D6AB	6 1/4 x 3	9 3/8	8	7 3/8	4 1/4	4 1/4	7	1/2	5	4	6	5	11 7/8	3/8	3 1/8	6	7 1/8	12 3/8	12	—	—	8 1/2	48
D6AA D6AB	6 1/4 x 3	9 3/8	8	7 3/8	4 1/4	4 1/4	7	1/2	5	4	6	5	11 5/8	3/8	3 1/8	6	7 1/8	12 7/8	12	—	—	9	56
D8A D8C	7 3/4 x 3 7/8	11	8	8 1/4	5 3/8	5	7	1/2	6	4 5/8	6 3/4	6 7/8	12 1/2	3/8	3 3/4	8	8	13 1/8	12	—	—	8 1/2	48
D8A D8C	7 3/4 x 3 7/8	11	8	8 1/4	5 3/8	5	7	1/2	6	4 5/8	6 3/4	6 7/8	12 1/4	3/8	3 3/4	8	8	13 5/8	12	—	—	9	56
D9A D9C	9 x 4 1/2	12 1/8	8	10 3/4	6 1/2	5 5/8	7	1/2	6 3/4	5 5/8	7 3/4	7 1/8	13 1/4	3/8	4 3/8	9	9 1/4	14 1/2	16	—	—	9 3/8	48
D9A D9C	9 x 4 1/2	12 1/8	8	10 3/4	6 1/2	5 5/8	7	1/2	6 3/4	5 5/8	7 3/4	7 1/8	13	3/8	4 3/8	9	9 1/4	15	16	—	—	9 7/8	56
D11D D11E	10 5/8 x 5 1/4	14 3/4	9	11 3/4	8	6 7/8	7 1/2	3/4	8	6 3/4	9 1/8	8 1/8	13 7/8	3/8	5	10	10 3/4	18 1/4	16	—	—	11 3/4	56/145T
D11D D11E	10 5/8 x 5 1/4	14 3/4	11 1/2	11 3/4	8	6 7/8	10	3/4	8	6 3/4	9 1/8	8 1/8	15 1/2	3/8	5	10	10 3/4	17 3/4	16	—	—	11 1/4	182T/184T
D12D D12E D12H	12 1/2 x 6 1/2	16 3/8	13	13 1/4	9 5/8	7 3/8	9 3/4	2 1/2	10 1/8	8 1/2	11 1/2	10 1/2	16 3/8	9/16	6 1/2	13 1/4	13 1/4	24 1/4	20	11 1/4	11 1/4	17	182T/184T
D12D D12E D12H	12 1/2 x 6 1/2	16 3/8	13	13 1/4	9 5/8	7 3/8	9 3/4	2 1/2	10 1/8	8 1/2	11 1/2	10 1/2	20 3/4	9/16	6 1/2	13 1/4	13 1/4	24 1/4	20	11 1/4	11 1/4	17	213T/215T

*"M" dimension will vary on type of motor used.

High Speed Blower Dimensions

MODEL	HP	RPM	WHEEL	A	B	C	D	E	F	G	H	J	K	L	M*	N	O	P	R	X	MAX. MOTOR FRAME
D9D	1/2	1750	9 x 3	12 1/8	8	10 3/4	6 1/2	5 5/8	7	1/2	6 3/4	5 5/8	7 3/4	7 1/8	13	3/8	4 3/8	9	9 1/4	9 7/8	56
D9E	3/4	1750	9 x 4 1/2	12 1/8	8	10 3/4	6 1/2	5 5/8	17	1/2	6 3/4	5 5/8	7 3/4	7 1/8	13	3/8	4 3/8	9	9 1/4	9 7/8	56
D9F	1	1750	9 x 4 1/2	12 1/8	8	10 3/4	6 1/2	5 5/8	7	1/2	6 3/4	5 5/8	7 3/4	7 1/8	14 1/4	3/8	4 3/8	9	9 1/4	9 7/8	56/145T
D9F	1	1750	9 x 4 1/2	12 1/8	11	10 3/4	6 1/2	5 5/8	10	1/2	6 3/4	5 5/8	7 3/4	7 1/8	15	3/8	4 3/8	9	9 1/4	10 7/8	182T/184T
D11F	1	1750	10 5/8 x 3	14 3/4	9	11 3/4	5 7/8	6 7/8	7 1/2	3/4	8	6 3/4	9 1/8	8 1/8	12 3/4	3/8	4	10	10 3/4	11 1/4	56/145T
D11F	1	1750	10 5/8 x 3	14 3/4	11 1/2	11 3/4	5 7/8	6 7/8	10	3/4	8	6 3/4	9 1/8	8 1/8	14 5/8	3/8	4	10	10 3/4	11 3/4	182T/184T
D11G	1 1/2	1750	10 5/8 x 4	14 3/4	9	11 3/4	5 7/8	6 7/8	7 1/2	3/4	8	6 3/4	9 1/8	8 1/8	12 3/4	3/8	4	10	10 3/4	11 3/4	56/145T
D11G	1 1/2	1750	10 5/8 x 4	14 3/4	11 1/2	11 3/4	5 7/8	6 7/8	10	3/4	8	6 3/4	9 1/8	8 1/8	14 5/8	3/8	4	10	10 3/4	11 1/4	182T/184T
D11H	2	1750	10 5/8 x 5 1/4	14 3/4	9	11 3/4	8	6 7/8	7 1/2	3/4	8	6 3/4	9 1/8	8 1/8	13 7/8	3/8	5	10	10 3/4	11 3/4	56/145T
D11H	2	1750	10 5/8 x 5 1/4	14 3/4	11 1/2	11 3/4	8	6 7/8	10	3/4	8	6 3/4	9 1/8	8 1/8	15 1/2	3/8	5	10	10 3/4	11 1/4	182T/184T

*"M" dimension will vary on type of motor used.

PEERLESS BLOWERS... Your Clean Air Source!

Supplier of Quality Products for Industry:



Direct Drive Fans



Pressure Blowers



Industrial Fans



Direct Drive Exhaust Fans



In-Line Centrifugal Fans



Backward Inclined Belt Drive Blowers



Belt Drive Propeller Fans



Powerfoil Fans



Plug-Pak Fans



Forward Curve Belt Drive Fans



PEERLESS BLOWERS

AFFILIATE OF **HBD** INDUSTRIES, INC.

One Madison Avenue, P.O. Box 187
Hot Springs, NC 28743-0187
828/622-7500 • 1-800/613-4766 • Fax: 828/622-3309

www.peerlessblowers.com • www.hbdindustries.com

E-Mail: sales@peerlessblowers.com

PB-19866-12/10
Printed in U.S.A.



Peerless Blowers is an affiliate company of HBD Industries, Inc. HBD manufactures quality, application-engineered custom designed and standard industrial products serving many diverse industries and markets. Products manufactured by HBD Industries, Inc. include AC/DC/BLDC electric motors, aerospace precision components, budding strips, cemented tungsten carbide parts, closed die forgings, coated rubber fabrics, conveyor belting, drives, ducting, gear reducers, hose (automotive, aviation, hand-built, industrial, marine and petroleum), material handling products (metal separators/detectors and electromagnetic lifting equipment), power transmission belts, rubber bands, rubber roll coverings and ventilation equipment (fans and blowers). For complete details on HBD Industries, Inc. log onto www.hbdindustries.com.