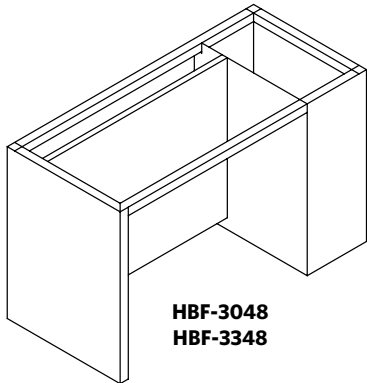


Although AMS is your fume hood expert, we do offer a selection of inset metal wall and base cabinets in 29", 33" and 35" heights. When a large quantity of standard laboratory cabinets is required, please contact us for an approved distributor.

AMS fume hood base cabinets conform to the method of testing and performance requirements set forth in the Scientific Equipment Furniture Association (SEFA). All ADA and hood base cabinets can be manufactured in stainless steel.

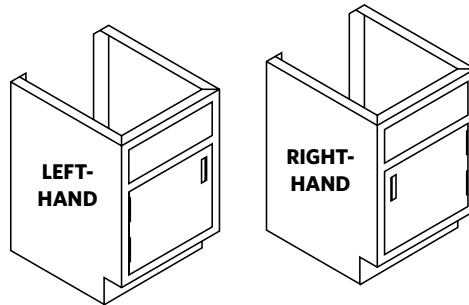
ADA Base Frames



HBF-3048
HBF-3348

Must be specified left- or right-hand; right-hand shown

ADA Hood Bases



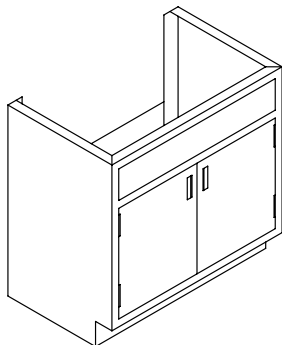
B2912-10P
B2918-10P
B2924-10P

B3312-10P
B3318-10P
B3324-10P

Must be specified left- or right-hand

NOTE: ADA cabinet configurations come in both 30" and 33" high.

Hood Bases

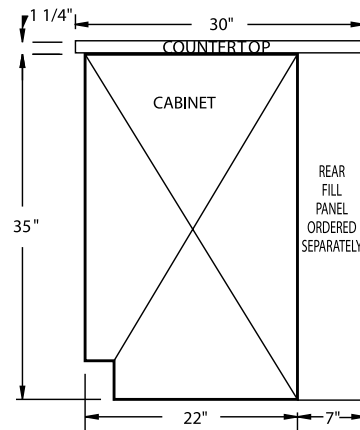


B3512-10P*
B3518-10P*
B3524-20P*
B3530-20P
B3536-20P
B3548-20P

EXAMPLE: HB-3630 = 36" h x 30" w

NOTE: These cabinets also come in 33" high and 29" high

***Single door; specify left- or right-hand**



END VIEW OF HOOD CABINET
ALL HOOD BASES HAVE ADJUSTABLE FEET

NOTE: Other metal base cabinets available upon request.