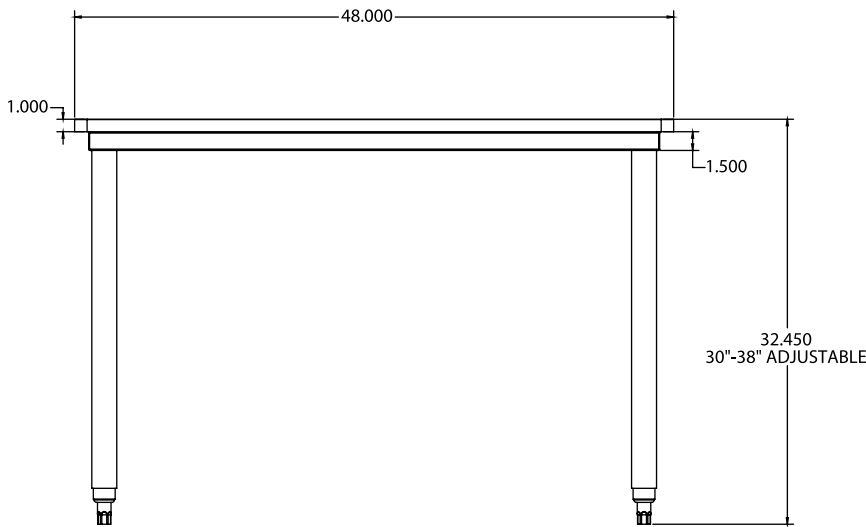


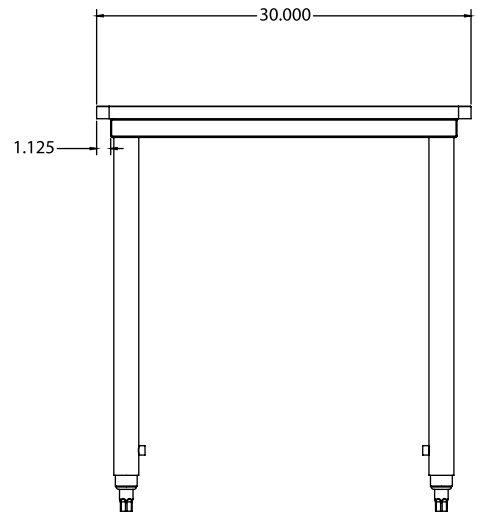
The complete flexibility of the Solution Series™ Student Table (ST) will handle a multitude of functions in the laboratory environment. From clean rooms and research facilities to teaching labs, there is a configuration to meet your needs. The student table is available in a multitude of sizes and can be ordered in stationary, adjustable height and knock down versions.

SO
adaptable.

- Wall and island configurations can be readily created and easily changed as well as moved for new applications or changing space
- Can be used in conjunction with mobile or floor-mounted casework
- Solid welded construction
- Stationary models include a fine-adjust leveling foot
- Can be ordered as mobile models with 330 lb. casters
- Static load capacity of 1000 lbs. (on stationary models)
- Standard working height is 36"
- Adjustable height from 30"-38"
- Available in 36, 48, 60 and 72" widths
- Available in 24, 30 and 36" depths
- Cabinets ordered separately
- Countertop options available
- Adjustable height models include a leg lock-down bolt and adjust in 1" increments



student table front view



student table end view

ST-AL4830-E
(model as shown)

Solution Series™ Student Table

Legs:	Feet:	
A Adjustable	L Leveling Feet	
S Stationary	C 330 lb. Casters	
K Knock down		

ST - AL4830 - E

Width:	Depth:	Top:
36"	24"	E Epoxy
48"	30"	P Phenolic
60"	36"	O Other
72"		N None