

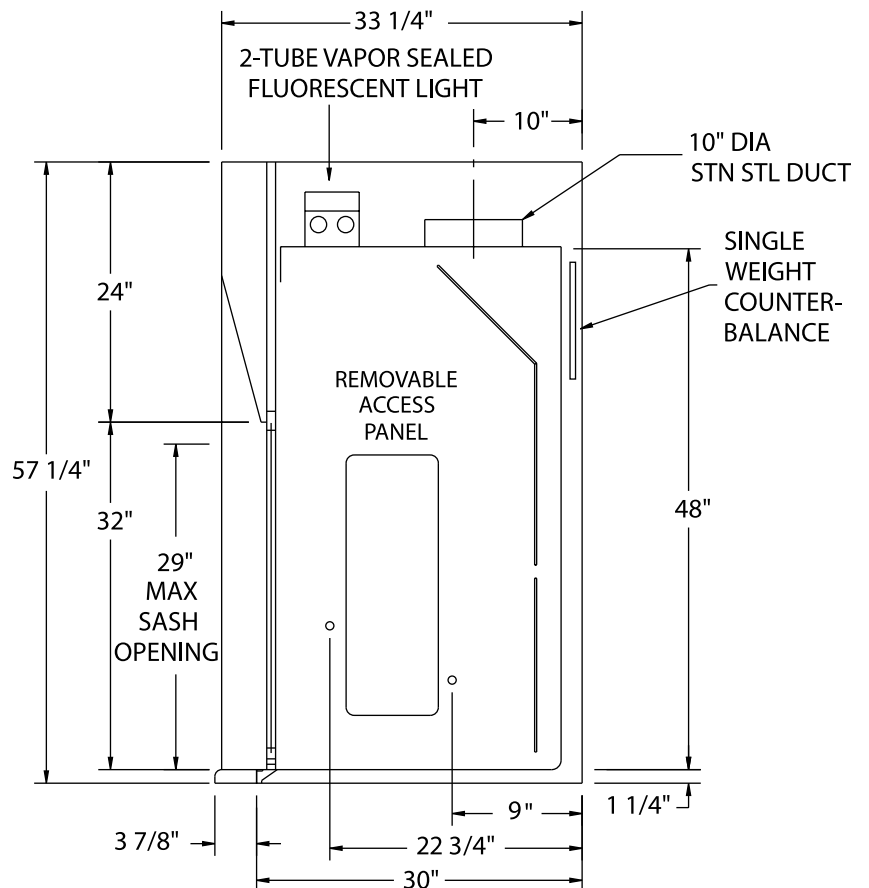
For Safe Handling of Radiochemicals

The Eliminator 600 Radio Isotope Hood is specifically engineered and built to handle applications involving radiochemicals. It has the same aerodynamic design as the standard airfoil hood, with the added feature of a one-piece stainless steel liner and countertop with radius construction to prevent absorption of radioactive and corrosive chemicals.

The interior of the hood and integral countertop are fabricated of 304 stainless steel, buffed and polished to a smooth #4 finish. This reduces the chance of chemical buildup and simplifies decontamination. The flush-mount radiused airfoil is also type 304 stainless steel, as is the standard vertical rising sash. A combination sash is available as an option.

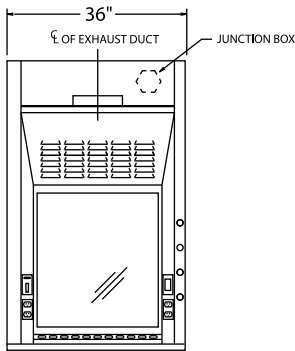
Five available sizes and many optional accessories meet all your design needs and the end user's application requirements.

**U.L. 1805
Classified**

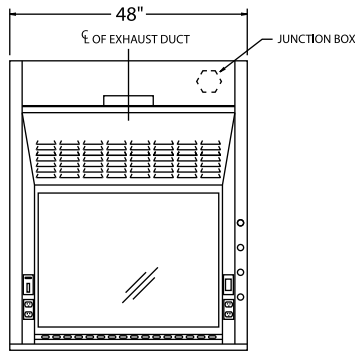


standard features

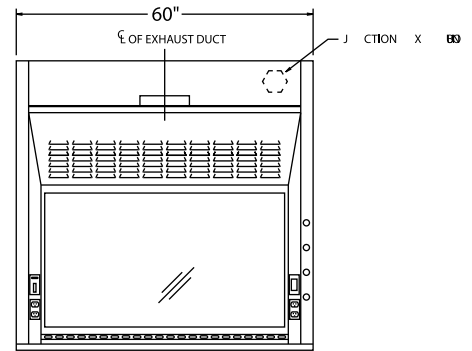
- Powder coat finish
- Full frame construction
- Shaft drive sash
- T-8 fluorescent light with bulbs
- Flush-mount airfoil
- Interior access to light
- Full-length finger lift
- Louvered front for by-pass
- 304 stainless steel one-piece integral work surface and liner
- Stainless steel sash
- Stainless steel airfoil



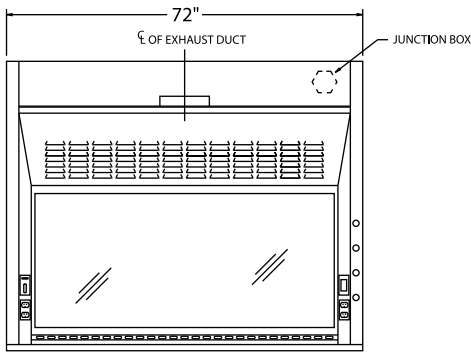
EH-613-36



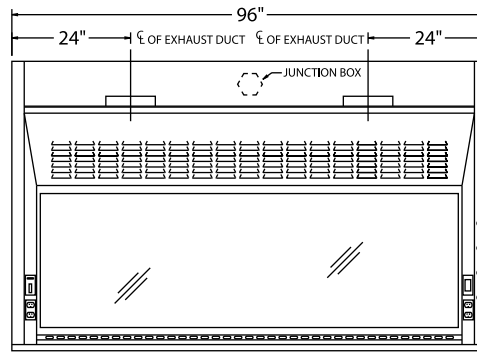
EH-613-48



EH-613-60



EH-613-72



EH-613-96

Part Number	Superstructure			Integral Worktop			Hood Opening		CFM @ 29"*	CFM @ 18"*	SP	Blower Model #	Shipping Weight
	W	H	D	W	H	D	W	H					
EH-613-36	36"	56"	33-1/4"	36"	1-1/4"	30"	26"	29"	567	354	.25	BL-600-36	190
EH-613-48	48"	56"	33-1/4"	48"	1-1/4"	30"	38"	29"	833	521	.25	BL-600-48	560
EH-613-60	60"	56"	33-1/4"	60"	1-1/4"	30"	50"	29"	1100	688	.34	BL-600-60	675
EH-613-72	72"	56"	33-1/4"	72"	1-1/4"	30"	62"	29"	1367	854	.34	BL-600-72	790
EH-613-96	96"	56"	33-1/4"	96"	1-1/4"	30"	86"	29"	1900	1188	.40	BL-600-96	1025

*Height of open sash; CFM calculated at 100 FPM
For VAV Hoods, add -VAV to the part number.

accessories

ITEM	AMS PT#	PAGE #
Ceiling Enclosures	CE	33
Plumbing Accessories		34
Electrical Accessories		35
Alarms	ALARM	32
Base Cabinets	BC	36
Blowers	BL	Call
Pre-Plumbing	PREP	

ITEM	AMS PT#	PAGE #
Pre-Wiring	PREW	
Sash Stops	SASHSTOP	38
Chain and Sprocket Drive	CHNSPK	Call
Push Button Sash	PUSH BUTTON	38
Combination Sash	H&V	38
Automatic Sash Return	AUTO RETURN	38
Lattice Assembly	LATTICE	Call