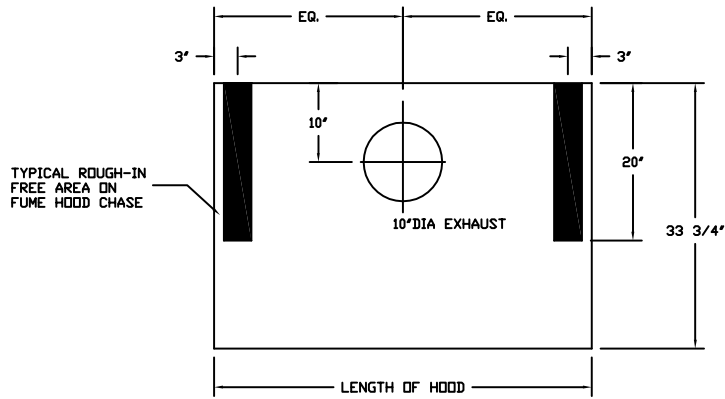
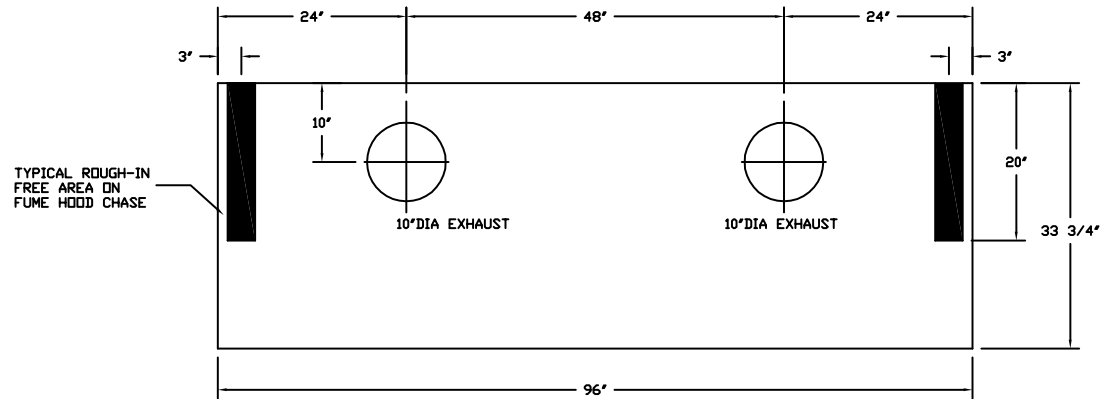


# The SOLUTION: Fume Hood (6200 fpm)

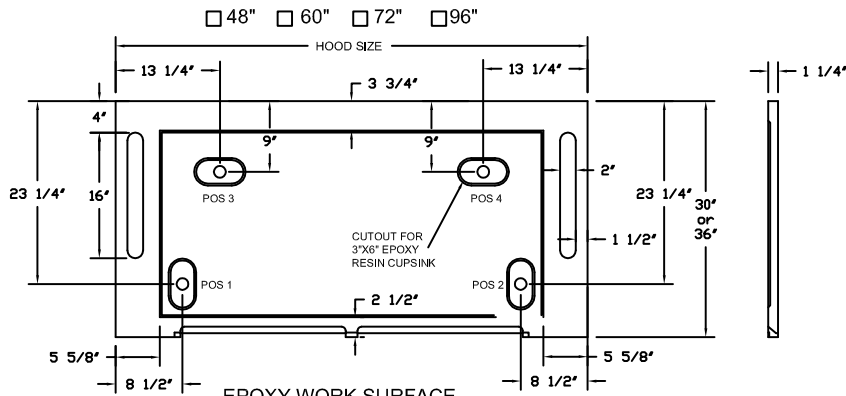
APPLICATIONS: K-12; Higher Education; Industrial; Bio Tech / R&D



SERVICE ROUGH-IN DETAIL  
(Specifically for 4', 5', & 6' Hoods)



SERVICE ROUGH-IN DETAIL  
(Specifically for 8' Hoods)



EPOXY WORK SURFACE  
(Specify Location of Cupsink)

NOTE: IF ACID / FLAMMABLE CABINETS ARE REQUIRE - CUPSINKS LOCATIONS WILL VARY, PLEASE CONTACT AMS FOR DETAILS.

CUPSINK OPTION:

- 3" X 6"
- 3" X 9"
- OTHER \_\_\_\_\_
- NONE



Part No.	Superstructure			18"SASH HT.		18"SASH HT.		STATIC PRESSURE	
	W	H	D	CFM @ 100 FPM	CFM @ 60 FPM	HOOD OPENING (SQ.FT)	CFM @ 100 FPM		CFM @ 60 FPM
EH-SOL-48	48"	57.25"	33-3/4"	475	285	7.39	739	433	.25"
EH-SOL-60	60"	57.25"	33-3/4"	625	375	9.72	972	583	.33"
EH-SOL-72	72"	57.25"	33-3/4"	775	465	12.06	1206	723	.50"
EH-SOL-96	96"	57.25"	33-3/4"	1075	645	16.72	1672	1003	.26"

## AIR MASTER SYSTEMS CORP

6480 NORTON CENTER DR.  
MUSKEGON, MI. 49441

TEL. (231) 798-1111 FAX (231) 798-4000  
www.airmastersystems.com

CUSTOMER

Qty: \_\_\_\_\_  
Color: \_\_\_\_\_