



# PRODUCT DIMENSIONS

DOMESTIC SIZES

## Standard Dropln® Sinks

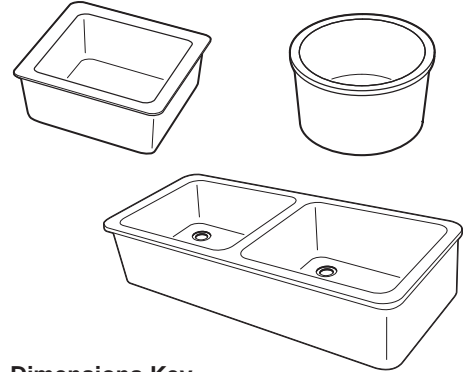
Sink No.	Outlet	Wgt (lb)	Dimensions (in)				
			Inside Bowl			Outlet Location	
			Length	Width	Depth	X	Y
D01C	Center	9	9.0	6.0	5.8	4.5	3.0
D03C	Center	16	12.0	8.0	5.8	6.0	4.0
A05	Corner	18	14.0	10.0	5.0	3.5	3.5
D05	Corner	22	14.0	10.0	6.2	3.5	3.5
D05C	Center	24	14.0	10.0	6.2	7.0	5.0
D10	End	20	16.0	8.0	6.8	4.5	4.0
D10C	Center	22	16.0	8.0	6.8	8.0	4.0
D15	Corner	30	16.0	12.0	8.0	3.5	3.5
D15C	Center	31	16.0	12.0	8.0	8.0	6.0
D19	Corner	42	16.0	16.0	9.6	3.5	3.5
D20	Corner	32	16.0	16.0	7.5	3.5	3.5
D22C	Center	30	18.0	6.5	6.8	9.0	3.3
D24(C)	Center	30	18.0	14.0	10.5	9.0	6.8
A25	Corner	35	18.0	15.0	5.0	3.5	3.5
D25	Corner	39	18.0	15.0	7.9	3.5	3.5
D30	Corner	53	18.0	15.0	11.0	3.5	3.5
D30D*	Corner	110	39.0	16.6	10.8	3.5	3.5
D30C	Center	50	18.0	15.0	10.8	9.0	7.5
D33E	End	59	21.0	17.0	9.8	4.5	8.5
D45	Corner	64	21.5	15.5	11.0	3.5	3.5
D50C	Center	48	24.0	16.0	8.0	12.0	8.0
D52	Corner	77	24.0	18.0	11.0	3.5	3.5
A55	Corner	47	25.0	15.0	4.8	3.5	3.5
D55	Corner	61	25.0	15.0	10.0	3.5	3.5
D59	Corner	61	28.0	15.0	11.8	3.5	3.5
DRS12	Center	18	12.0	Round	7.8	Center	

\* New Double Bowl Dropln Sink. The D30 sized bowls are molded as one to ease installation.

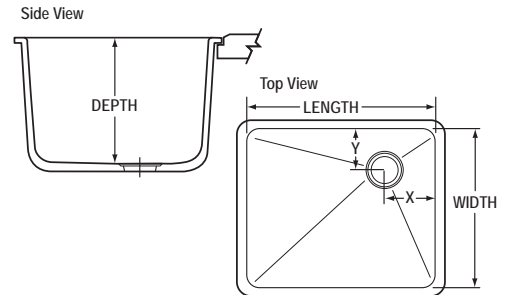
ADA compliant sinks are designated by this symbol.

All Dimensions are nominal. Cutsheets available upon request.

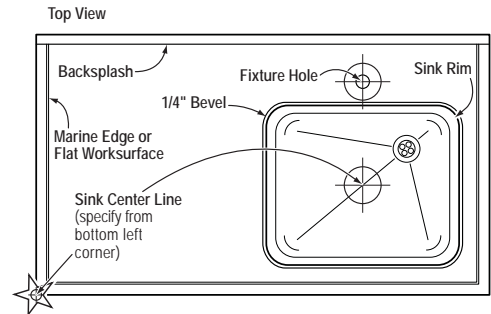
## Dropln® Sink Styles



## Dimensions Key



## Installation Detail



## Special Order Dropln® Sinks

Sink No.	Outlet	Wgt (lb)	Dimensions (in)				
			Inside Bowl			Outlet Location	
			Length	Width	Depth	X	Y
D06	Center	34	12.0	12.0	12.0	6.0	6.0
A07	Corner	24	14.0	14.0	5.0	3.5	3.5
D08	Corner	25	15.0	8.0	6.0	3.5	3.5
D09	Corner	25	15.0	8.0	10.8	3.5	3.5
D21	Corner	58	16.0	16.0	15.0	3.5	3.5
A26	Corner	39	18.0	15.0	5/11	4.5	5.5
D32	Corner	49	18.0	15.0	15.8	3.5	3.5
D51	Corner	60	24.0	16.0	9.6	3.5	3.5
D54	Corner	45	25.0	15.0	8.0	3.5	3.5
A56	Corner	65	25.0	15.0	5/11	4.5	5.5
D57	Corner	71	25.0	15.0	13.6	3.5	3.5
D58	Corner	79	25.0	15.0	17.8	3.5	3.5
D61	End	94	30.0	16.0	17.8	4.5	7.5
D65C	Center	98	35.5	19.5	9.8	17.8	9.8
D70C	Center	95	24.0	16.0	15.5	8.0	12.0
DRS10	Center	14	10.0	Round	7.8	Center	
DHC20	End	82	30.0	Hexagon	7.0	Center	
D99	End	56	32.0	Semi-Circle	10.0	11.5	4.5

ADA compliant sinks are designated by this symbol.

All Dimensions are nominal. Cutsheets available upon request.

## Outlets & Accessories

