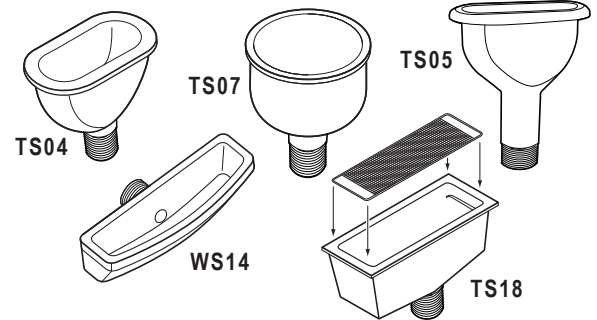


## Standard Polypropylene Cupsinks

DOMESTIC U.S. SIZES

| Cupsink No. | Shape | Color Availability |      |          |              |            |     | Dimensions (in) |        |       |        |         |
|-------------|-------|--------------------|------|----------|--------------|------------|-----|-----------------|--------|-------|--------|---------|
|             |       | Black Onyx         | Gray | Graphite | Forest Green | Steel/Blue | Tan | Alpine White    | Inside |       |        | Outside |
|             |       |                    |      |          |              |            |     | Length          | Width  | Depth | Height |         |
| CS4R        | Oval  | ✓                  | ✓    | ---      | ---          | ---        | ✓   | 6.0             | 3.0    | 4.0   | 8.1    |         |

### Cupsink Styles



## Special Epoxy Resin Cupsinks

DOMESTIC U.S. SIZES

| Cupsink No. | Shape     | Dimensions (in) |       |       |         |
|-------------|-----------|-----------------|-------|-------|---------|
|             |           | Inside          |       |       | Outside |
|             |           | Length          | Width | Depth | Height  |
| TS04        | Oval      | 5.7             | 2.7   | 3.7   | 8.3     |
| TS05*       | Oval      | 5.6             | 2.8   | 3.7   | 9.1     |
| TS12        | Oval      | 8.8             | 2.7   | 5.8   | 10.0    |
| TS15        | Oval      | 10.8            | 3.0   | 5.3   | 9.6     |
| TS18**      | Rectangle | 13.6            | 4.4   | 5.8   | 9.9     |
| TS07        | Round     | 6.3             | 6.3   | 6.0   | 11.0    |
| TS09        | Round     | 8.0             | 8.0   | 6.0   | 9.4     |
| WS14        | Wallmount | 11.0            | 4.0   | 4.0   | 5.0     |

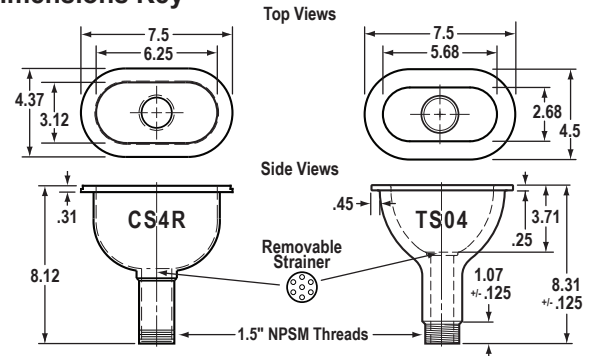
\* Raised Rim Cupsink for containing hazardous spills on the worksurface.

\*\* TS18 includes a #316 Monel Stainless Steel Screen.

All Dimensions are nominal. Cutsheets available upon request.

For color availability, please contact sales@durcon.com.

### Dimensions Key



Cupsinks are small sink units designed to provide a convenient disposal site for liquid waste while maximizing available work space.

Polypropylene cupsinks are available for most laboratory applications. For special applications or for color options, molded epoxy resin cupsinks are also available. Please contact a Durcon representative for color options.

